

The Centaur C1X is a 1" diameter ingrade upright made of stainless steel that is suitable for power washing and is driveover rated up to 11,000 lbs.



Fixture Dimensions  
 Ø1.0" x 4.0" h  
 See Full Drawing on page 2

## TECHNICAL DATA

<b>Wattage / Input</b>	1W (24VDC)
<b>Power Supply</b>	Remote, not included. See page 2.
<b>Construction</b>	Body and Trim: Stainless Steel 304 Alloy Jbox: Cast Stainless Steel Lens: 0.4" Clear, Frosted or Internally Ceramic Coated Tempered Glass Lens Frame: Threaded Bottlecap
<b>CCT</b>	3000K, 5000K
<b>CRI</b>	>80
<b>Delivered Lumens</b>	44 lm (3000K, 24VDC)
<b>Efficacy</b>	44 lm/W
<b>Optics</b>	0°, 6°, 25°
<b>Finishes</b>	Stainless Steel 304 Alloy
<b>Fixture Dimensions</b>	Ø1.0" x 4.0" h
<b>LED Source</b>	1 Cree XPE LED
<b>IP Rating</b>	IP68, IP69
<b>Driveover Rated</b>	11,000 lbs

## ORDERING INFORMATION

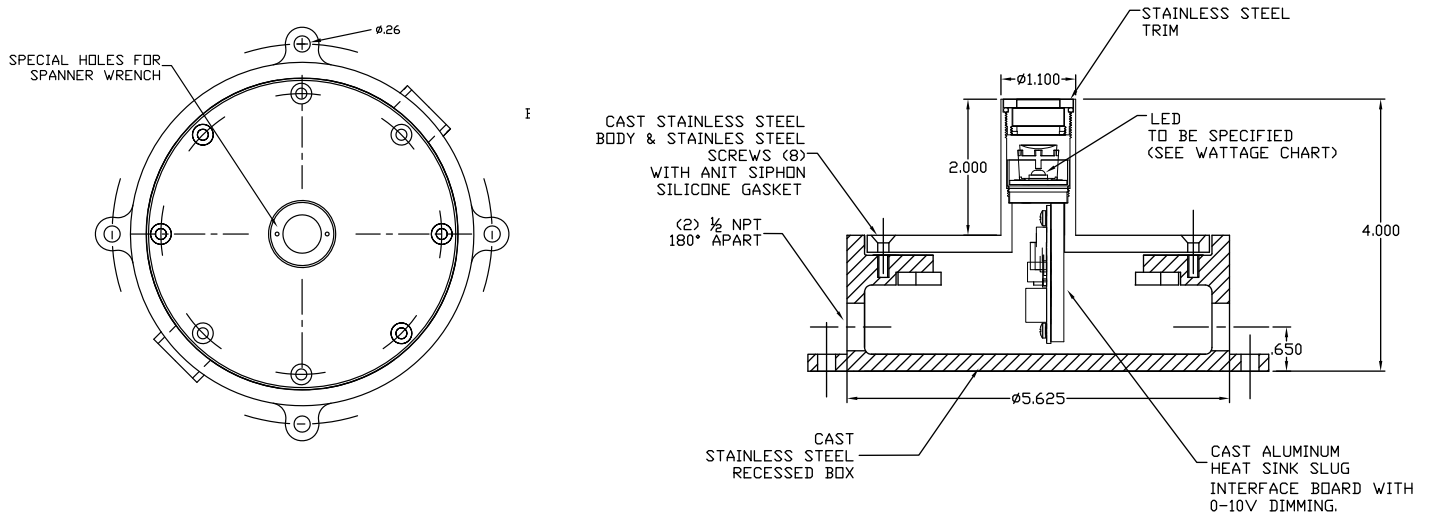
Example: C1X-L-150-4-SS-1-X-T-00. Power Supplies ordered separately.

C1X-L	-		-	4	-	SS	-		-	X	-		-	00
Model #	Wattage/CCT	Body	Finish	Optics	Driver	Lens	Options							
C1X-L	130 -1W, 3000K 150 -1W, 5000K	4 - Recessed box with conduit entries	SS - Stainless Steel	1 - 6° 2 - 25° 0 - None	X - Remote See p.2 to specify	T - Clear Tempered K - Internally Ceramic Coated G - Frosted Tempered Glass	00 - None							
				<p><b>Note:</b> Optic options 1 and 2 can only be used with "T" lens. Optic 0 (None) can only be used with 'K' or 'G' lens.</p>		<p><b>Note:</b> 0-10V on board dimming included</p>								
						<p><b>Note:</b> Optic options 1 and 2 can only be used with "T" lens. Optic 0 (None) can only be used with 'K' or 'G' lens.</p>								

Job Name/Date:

Fixture Type Designation:

## FIXTURE DIMENSIONS



## SUGGESTED POWER SUPPLIES

24VDC

Part Number	Description	Input/Output	# of Fixtures
<a href="#">PPLT00155</a>	Non-Dim	120VAC to 24VDC, 30W, Class 2	1-24
<a href="#">PPLT00586</a>	Non-Dim	120-277VAC to 24VDC, 40W, Class 2	1-32
<a href="#">PPLT00284</a>	Non-Dim	120-277VAC to 24VDC, 100W, Class 2, DAMP	1-80

## Suggested Lutron Compatible

Part Number	Option	Lutron SKU	Dim Range	Description	Input/Output	# of Fixtures
<a href="#">PPLT00530</a>	L3D0	L3D0	100%-0.1%	Hi-Lume™ Premier 0.1% or Ecosystem 3-Wire LED Driver	120-277VAC to 24VDC, 96W, Class 2	1-76

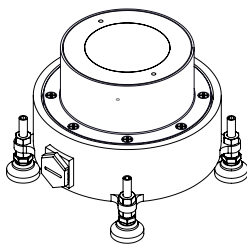
For other power supply options consult factory.

**NOTE: 0-10V DIMMING INTERFACE INCLUDED - to be wired separately**

## ACCESSORIES - Installation



**LL301** - Optional Leveling Pad  
Set of 4



Job Name/Date:

Fixture Type Designation: