



INSTRUCTIONS PERTAINING TO RISK OF FIRE OR INJURY TO PERSONS. READ ALL INSTRUCTIONS. IMPORTANT SAFETY INSTRUCTIONS. SAVE THESE INSTRUCTIONS.

DANGER - RISK OF SHOCK - DISCONNECT POWER BEFORE INSTALLATION! Please read all instructions before installation.

- Keep these instructions for future reference.
- Must be installed by a qualified electrician in accordance with national and local standards. Designplan is not responsible for fixtures installed without regard to these standards.
- Unauthorized alterations or tampering of product voids warranty.
- The main power connection must be in accordance with local electrical codes.
- Suitable for OUTDOOR applications.



IP68, IP69K

Electrical Connections:

- LED lights must be **connected in parallel** respecting polarities.
- **CHOOSE POWER SUPPLY ACCORDINGLY.** Please consider the voltage through which fixtures are fed as well as the max power consumption.
- **Connect power only if all the fixtures are connected.**
- The power supplies **MUST** be installed in aerated rooms, far from heat sources. Overworking or lack of air circulation will not permit natural dissipation.
- Use only Class 2 type electronic power supply.
- Never use switches on secondary circuit.

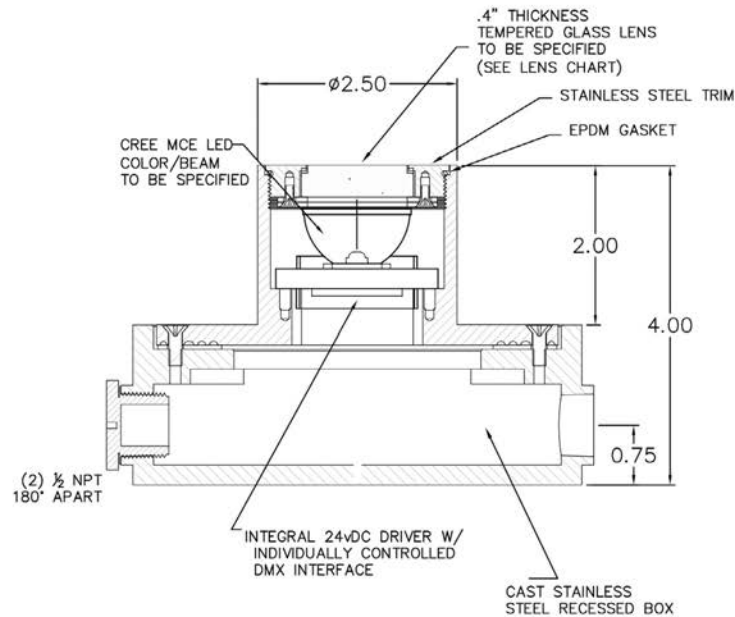
ATTENTION: For In-Grade - It is the contractor's responsibility to seal the conduit with "Great Stuff" aerosol seal that prevents water and moisture penetration for ultimate protection. Contractor **MUST** use gel-filled wire nuts.

Maintenance

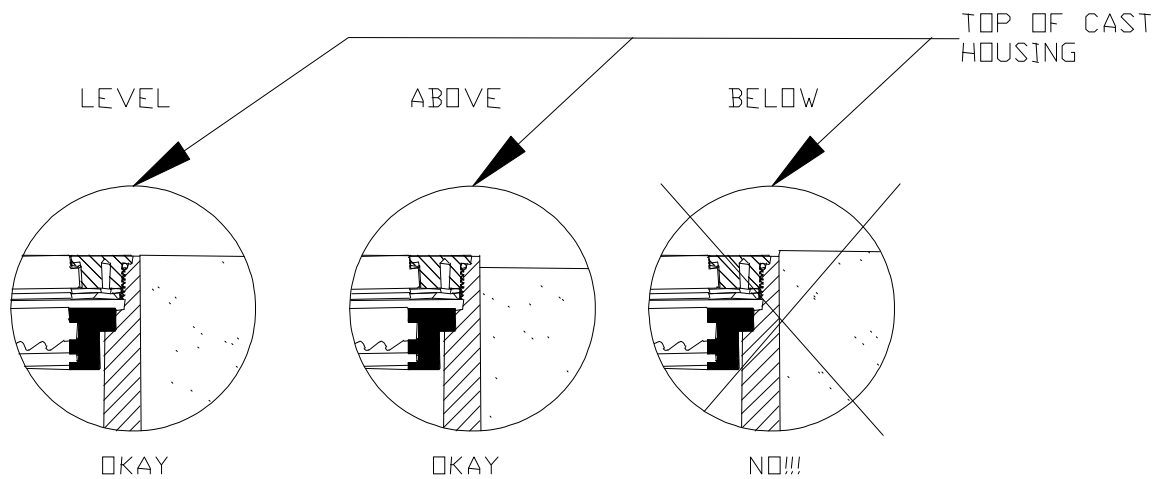
Scheduled maintenance must be carried out once a year on all lighting devices, regardless of appliance class and type of use. It must include the following operations:

- Periodically clean fixtures to remove dirt from gratings and screw heads.
- Check tightness of screws on various parts of the device.
- Check that all cable glands and cables are intact and tight. Check that the glass or plastic lens is intact, and replace it if broken or damaged.
- The internal components such as the ballast, driver, washers and screws must not show clear signs of oxidation or rust. Clear traces of rust and oxidation will indicate the presence of water inside the device.
- In the case of damage, the components must be replaced by original components or spare parts.

Location

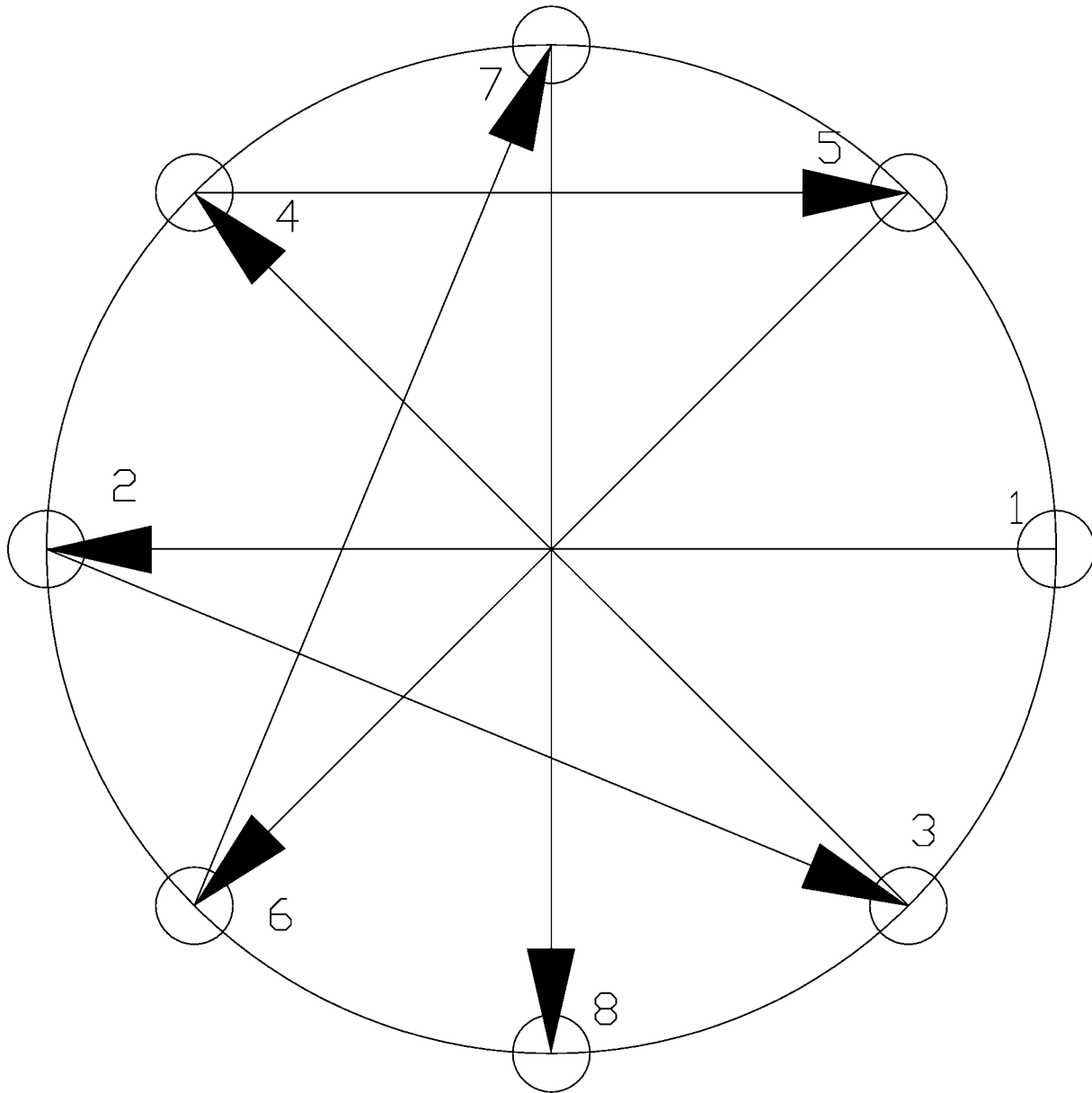


- This model is designed for concrete pour installation. The fixture is IP68 and can be submerged up to 3.0' of water.
- Provide adequate support for fixture base.
- Make sure that the top surface of the body is completely flush with the finished grade when concrete is poured.



Fixture Installation

- Proper, reliable and dependable operation requires careful wiring between fixtures and their driver. The fixtures are to be wired in parallel. (see attached diagram) Each fixture can be wired to an independent dimmer or wired in parallel to dim at the same levels. It's the electrical contractor's responsibility to verify 24VDC +/-5% to each fixture. Please note the wiring will need to be accessed through the lens for future requirements.
- The RED is +24VDC (+/-5%), BLACK is -24VDC and –dim, WHITE is +0-10V dimming, and GREEN is ground/shield. For no dimming applications (on/off only) cap the white by itself.
- For dimming, the controller/dimmer needs to “sink” 0.5mA per fixture.
- Use gel-filled waterproof wire-nuts for wire connections.
- It is the contractor's responsibility to install Remote Driver in a suitable electrical enclosure.
- The large fixture housing is provided with two - ½” NPT holes. Use a proper IP68 liquid tight fittings to seal incoming power wires. Make sure that all threads on the fittings are properly sealed with teflon tape or other pipe thread sealant material. It is absolutely critical that threads are properly sealed to prevent water from entering housing. If using conduit entries, the entries must be sealed with “Dow 'Great Stuff' Gaps & Cracks” (not provided). The foam should be sprayed from inside the fixture up into the conduit. Failure by the contractor to use the Dow product could cause a void in the warranty.
- Before installing the mounting plate of the C2C over the large housing box, make certain the surface is free of any foreign matter.
- Tighten the C2C mounting plate to the large housing box with the eight- (8) screws provided ([see attached sheet for proper mounting sequence](#)).
- Make certain all lenses are hand tight utilizing the special spanner wrench provided. Make sure fixtures are adequately supported and all connections properly and securely wired before applying power to driver.



Wiring Diagram

