

The Centaur C2C is a 2.5" diameter ingrade uplight made of stainless steel that is suitable for power washing and is driveover rated up to 11,000 lbs. Available in RGBW or tunable white.



Fixture Dimensions
 Ø2.5" x 4.0" h
 See Full Drawing on page 2

TECHNICAL DATA

Wattage / Input	5W (24VDC - RGBW) 6W (500mA - Tunable White)
Power Supply	Remote, not included. See page 2.
DMX Control	Internal DMX Factory Set
Construction	Body/Trim: Stainless Steel 304 Alloy Jbox: Cast Stainless Steel Lens: 0.4" Clear, Frosted or Internally Ceramic Coated Tempered Glass Lens Frame: Threaded Bottlecap
CCT	RGBW Tunable White (2700K-5000K)
CRI	>80
Optics	0°, 10°, 30°
Finishes	Stainless Steel 304 Alloy
Fixture Dimensions	Ø2.5" x 4.0" h
LED Source	Cree MCE LED
IP Rating	IP68, IP69
Driveover Rated	11,000 lbs

ORDERING INFORMATION

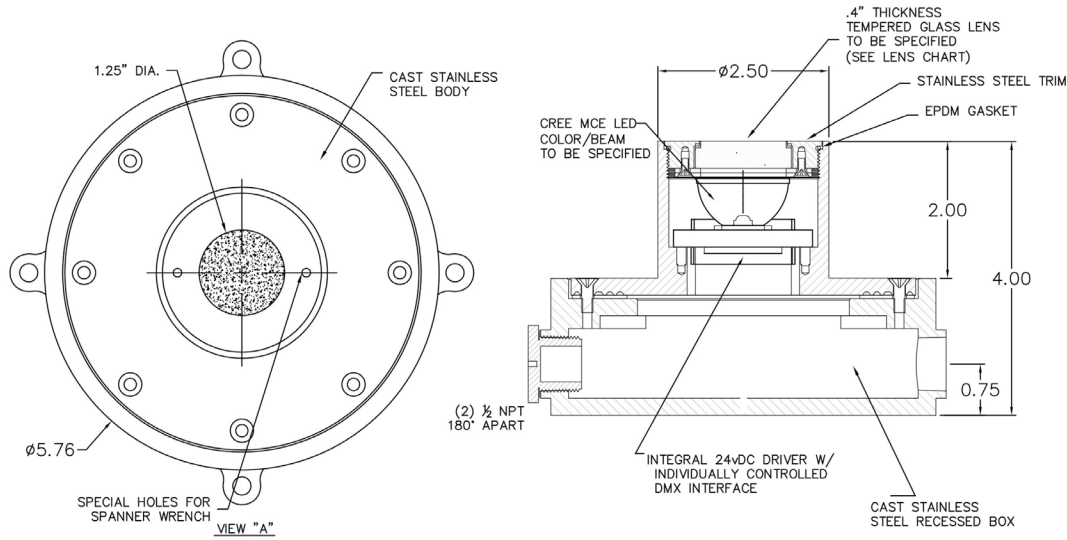
Example: C2C-L-5RW-4-SS-1-X-T-0. Power Supplies ordered separately.

C2C-L	-		-	4	-	SS	-		-	X	-		-	0
Model #	CCT	Body	Finish	Optics	Driver	Lens	Options							
C2C-L	5RW - 5W-RGBW 5TW - 5W-Tunable White	4 - Recessed box with conduit entries	SS - Stainless Steel	0 - None 1 - 10° 2 - 30°	X - Remote <i>See p.2 to specify</i> <i>Note: Unit equipped with integral DMX interface</i>	T - Clear Tempered Glass G - Frosted Tempered Glass K - Flash White BTM & Clear Top Q - Non-Skid Patterned Tempered Glass J - Flash White Bottom & Non-Skid Top Pattern	0 - None							

Job Name/Date:

Fixture Type Designation:

FIXTURE DIMENSIONS



SUGGESTED POWER SUPPLIES

24VDC - for RGBW with integrated DMX

Part Number	Description	Input/Output	# of Fixtures
PPLT00284	Non-Dim	120-277VAC to 24VDC, 100W, Class 2, DAMP	1-16

SUGGESTED POWER SUPPLIES

500mA - Tunable White

Part Number	Description	Input/Output	# of Fixtures
PPLT00548-P	0-10V Dimming to 0.1% (Dual Channel Tunable White)	120-277VAC to 500mA, 50W, Class 2	1-8

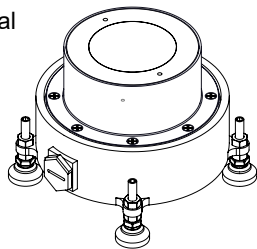
For other power supply options consult factory.

ACCESSORIES

Installation

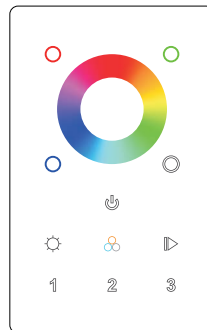


LL301 - Optional Leveling Pad
Set of 4



ACCESSORIES

Controllers (RGBW)



PWPD00570 - RGBW DMX512+Wifi Controller
Touch Sensitive
Can be controlled by WiFi
Controls 3 zones synchronously and separately

Job Name/Date:

Fixture Type Designation: