

The Centaur C2C is a 2.5" diameter ingrade upright light made of stainless steel that is suitable for power washing and is driveover rated up to 11,000 lbs. Available in RGBW or tunable white.



Fixture Dimensions
 Ø2.5" x 4.0" h
 See Full Drawing on page 2

TECHNICAL DATA

Wattage / Input	5W (24VDC)
Power Supply	Remote, not included. See page 2.
DMX Control	Internal DMX Factory Set
Construction	Body/Trim: Stainless Steel 304 Alloy Jbox: Cast Stainless Steel Lens: 0.4" Clear, Frosted or Internally Ceramic Coated Tempered Glass Lens Frame: Threaded Bottlecap
CCT	RGBW, Tunable White
CRI	>80
Optics	0°, 10°, 30°
Finishes	Stainless Steel 304 Alloy
Fixture Dimensions	Ø2.5" x 4.0" h
LED Source	Cree MCE LED
IP Rating	IP68, IP69
Driveover Rated	11,000 lbs

ORDERING INFORMATION

Example: C2C-L-5RW-4-SS-1-X-T-0. Power Supplies ordered separately.

C2C-L	-		-	4	-	SS	-		-	X	-		-	0
-------	---	--	---	---	---	----	---	--	---	---	---	--	---	---

Model #	CCT	Body	Finish	Optics	Driver	Lens	Options
C2C-L	5RW - 5W-RGBW 5TW - 5W-Tunable White	4 - Recessed box with conduit entries	SS - Stainless Steel	0 - None 1 - 10° 2 - 30°	X - Remote <i>See p.2 to specify</i> <i>Note: Unit equipped with integral DMX interface</i>	T - Clear Tempered Glass G - Frosted Tempered Glass K - Flash White BTM & Clear Top Q - Non-Skid Patterned Tempered Glass	0 - None

Job Name/Date:

Fixture Type Designation:

SUGGESTED POWER SUPPLIES

24VDC

Part Number	Description	Input/Output	# of Fixtures
PPLT00149	Non-Dim	120VAC to 24VDC, 10W, Class 2, IP65	1-1
PPLT00632	0-10V Dimming (Dim to Off)	120-277VAC to 24VDC, 12W, Class 2	1-1
PPLT00056	Non-Dim	120-277VAC to 24VDC, 26W, Class 2, IP66	1-4
PPLT00155	Non-Dim	120VAC to 24VDC, 30W, Class 2	1-4
PPLT00586	Non-Dim	120-277VAC to 24VDC, 40W, Class 2	1-6
PPLT00627	ELV / TRIAC & 0-10V Dimming (100 to 0%), IP67	120-277VAC to 24VDC, 96W, Class 2	1-15
PPLT00158	Non-Dim	120VAC to 24VDC, 100W, Class 2	1-16
PPLT00543	0-10V Dimming to 15% (-40°C / -40°F cold weather start)	120-277VAC to 24VDC, 100W, Class 2	2-16

Suggested Lutron Compatible

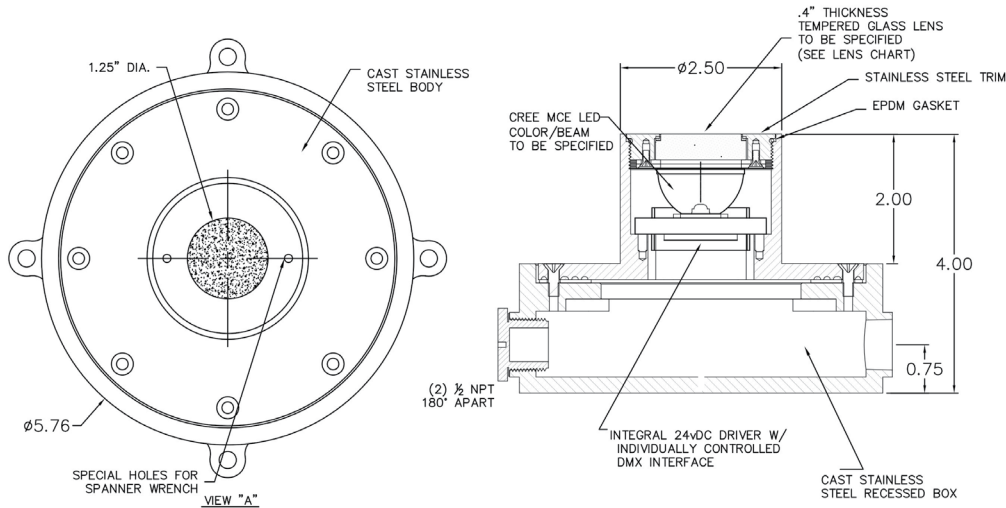
Part Number	Option	Lutron SKU	Dim Range	Description	Input/Output	# of Fixtures
PPLT00273	L3DAE / L3DA3W	L3DA	100%-1%	Hi-Lume™ 1% EcoSystem™ or 1% 3-Wire LED Driver	120-277VAC to 24VDC, 40W, Class 2	1-6
PPLT00530	L3D0	L3D0	100%-0.1%	Hi-Lume™ Premier 0.1% or Ecosystem 3-Wire LED Driver	120-277VAC to 24VDC, 96W, Class 2	1-15

For other power supply options consult factory.

Job Name/Date:

Fixture Type Designation:

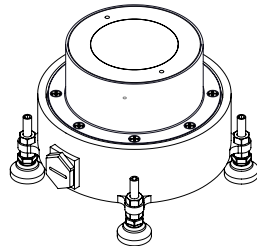
FIXTURE DIMENSIONS



ACCESSORIES - Installation



LL301 - Optional
Leveling Pad
Set of 4



Job Name/Date:

Fixture Type Designation: