

The Centaur C2C is a 2.5" diameter ingrade upright light made of stainless steel that is suitable for power washing and is driveover rated up to 11,000 lbs. Available in RGBW or tunable white.



Fixture Dimensions  
 Ø2.5" x 4.0" h  
 See Full Drawing on page 2

## TECHNICAL DATA

<b>Wattage / Input</b>	5W (24VDC)
<b>Power Supply</b>	Remote, not included. See page 2.
<b>DMX Control</b>	Internal DMX Factory Set
<b>Construction</b>	Body/Trim: Stainless Steel 304 Alloy Jbox: Cast Stainless Steel Lens: 0.4" Clear, Frosted or Internally Ceramic Coated Tempered Glass Lens Frame: Threaded Bottlecap
<b>CCT</b>	RGBW, Tunable White
<b>CRI</b>	>80
<b>Optics</b>	0°, 10°, 30°
<b>Finishes</b>	Stainless Steel 304 Alloy
<b>Fixture Dimensions</b>	Ø2.5" x 4.0" h
<b>LED Source</b>	Cree MCE LED
<b>IP Rating</b>	IP68, IP69
<b>Driveover Rated</b>	11,000 lbs

## ORDERING INFORMATION

*Example: C2C-L-5RW-4-SS-1-X-T-0. Power Supplies ordered separately.*

C2C-L	-		-	4	-	SS	-		-	X	-		-	0
-------	---	--	---	---	---	----	---	--	---	---	---	--	---	---

Model #	CCT	Body	Finish	Optics	Driver	Lens	Options
C2C-L	<b>5RW</b> - 5W-RGBW <b>5TW</b> - 5W-Tunable White	<b>4</b> - Recessed box with conduit entries	<b>SS</b> - Stainless Steel	<b>0</b> - None <b>1</b> - 10° <b>2</b> - 30°	<b>X</b> - Remote  <i>See p.2 to specify</i>  <i>Note: Unit equipped with integral DMX interface</i>	<b>T</b> - Clear Tempered Glass <b>G</b> - Frosted Tempered Glass <b>K</b> - Flash White BTM & Clear Top <b>Q</b> - Non-Skid Patterned Tempered Glass	<b>0</b> - None

Job Name/Date:

Fixture Type Designation:

## SUGGESTED POWER SUPPLIES

24VDC

Part Number	Description	Input/Output	# of Fixtures
<a href="#">PPLT00149</a>	Non-Dim	120VAC to 24VDC, 10W, Class 2, IP65	1-1
<a href="#">PPLT00632</a>	0-10V Dimming (Dim to Off)	120-277VAC to 24VDC, 12W, Class 2	1-1
<a href="#">PPLT00155</a>	Non-Dim	120VAC to 24VDC, 30W, Class 2	1-4
<a href="#">PPLT00586</a>	Non-Dim	120-277VAC to 24VDC, 40W, Class 2	1-6
<a href="#">PPLT00709</a>	ELV / TRIAC & 0-10V Dimming	120-277VAC to 24VDC, 96W, Class 2, DAMP	1-15
<a href="#">PPLT00158</a>	Non-Dim	120VAC to 24VDC, 100W, Class 2	1-16
<a href="#">PPLT00543</a>	0-10V Dimming to 15% (-40°C / -40°F cold weather start)	120-277VAC to 24VDC, 100W, Class 2	2-16

## Suggested Lutron Compatible

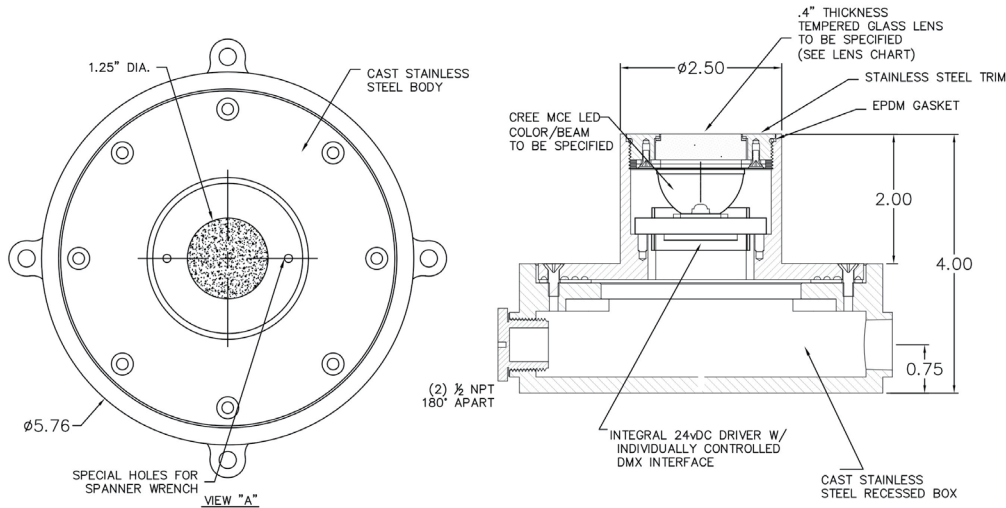
Part Number	Option	Lutron SKU	Dim Range	Description	Input/Output	# of Fixtures
<a href="#">PPLT00273</a>	L3DAE / L3DA3W	L3DA	100%-1%	Hi-Lume™ 1% EcoSystem™ or 1% 3-Wire LED Driver	120-277VAC to 24VDC, 40W, Class 2	1-6
<a href="#">PPLT00530</a>	L3D0	L3D0	100%-0.1%	Hi-Lume™ Premier 0.1% or Ecosystem 3-Wire LED Driver	120-277VAC to 24VDC, 96W, Class 2	1-15

*For other power supply options consult factory.*

Job Name/Date:

Fixture Type Designation:

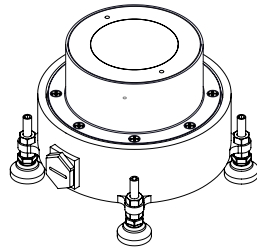
## FIXTURE DIMENSIONS



## ACCESSORIES - Installation



**LL301** - Optional  
Leveling Pad  
Set of 4



Job Name/Date:

Fixture Type Designation: