



INSTRUCTIONS PERTAINING TO RISK OF FIRE OR INJURY TO PERSONS. READ ALL INSTRUCTIONS. IMPORTANT SAFETY INSTRUCTIONS. SAVE THESE INSTRUCTIONS.

DANGER - RISK OF SHOCK - DISCONNECT POWER BEFORE INSTALLATION! Please read all instructions before installation.

- Keep these instructions for future reference.
- Must be installed by a qualified electrician in accordance with national and local standards. Designplan is not responsible for fixtures installed without regard to these standards.
- Unauthorized alterations or tampering of product voids warranty.
- Suitable for OUTDOOR applications.



IP68 IP69

Electrical Connections:

- LED lights must be **connected in parallel** respecting polarities.
- **CHOOSE POWER SUPPLY ACCORDINGLY.** Please consider the voltage through which fixtures are fed as well as the max power consumption.
- **Connect power only if all the fixtures are connected.**
- The power supplies **MUST** be installed in aerated rooms, far from heat sources. Overwork-ing or lack of air circulation will not permit natural dissipation.
- Use only Class 2 type electronic power supply.
- Never use switches on secondary circuit.

Maintenance

Scheduled maintenance must be carried out once a year on all lighting devices, regardless of appliance class and type of use. It must include the following operations:

- Check that the glass or plastic screen is intact, and replace it if broken or damaged.
- The internal components such as the driver, washers and screws must not show clear signs of oxi-dation or rust. Clear traces of rust and oxidation will indicate the presence of water inside the device.
- In the case of damage, the components must be replaced by original components or spare parts.

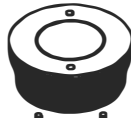
Notes

- This model is designed for concrete pour installation.
- The fixture is IP68 and can be submerged up to 3' of water.

Fixture Installation

- These C1X fixtures are low voltage DC, LED luminaries, made to conform to “wet label” requirements.
- For ease of the initial wiring, the contractor can remove the large housing box from bottom of fixture.
- Provide adequate support for fixture base.
- Proper, reliable and dependable operation requires careful wiring between fixtures and their driver. The fixtures are to be wired in parallel. (see attached diagram) Each fixture can be wired to an independent dimmer or wired in parallel to dim at the same levels. It’s the electrical contractor’s responsibility to verify 24vDC +/-5% to each fixture. Please note the wiring will need to be accessed through the lens for future requirements. Size wire nuts and wires appropriately.
- The RED is +24vDC (+/-5%), BLACK is -24vDC and –dim, WHITE is +0-10v dimming, and GREEN is ground/shield. For none dimming applications (on/off only) cap the white by itself.
- For dimming the controller/dimmer needs to “sink” 0.5mA per fixture.
- The drivers are to be located in a safe location.
- The large housing box is provided with two - 1/2” NPT holes. Use a proper IP68 liquid tight fittings on either hole or plug the as required. If using conduit entries, the entries must be sealed with “Dow ‘Great Stuff’ Gaps & Cracks” (not provided). The foam should be sprayed from inside the fixture up into the conduit. Failure by the contractor to use the Dow product could cause a void in the warranty.
- Before installing the mounting plate of the C1X over the large housing box, make certain the surface is free of any foreign matter.
- Tighten the C1X mounting plate to the large housing box with the eight- (8) screws provided (see attached sheet for proper mounting sequence).
- Make certain all lenses are hand tight utilizing the special spanner wrench provided. Make sure fixtures are adequately supported and all connections properly and securely wired before applying power to driver.
- Consult factory if any question arise.

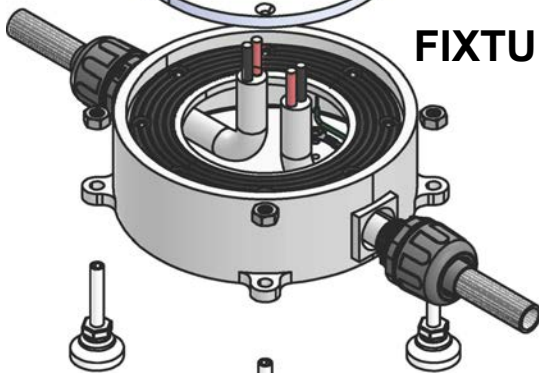
TOP TRIM



LED PCB

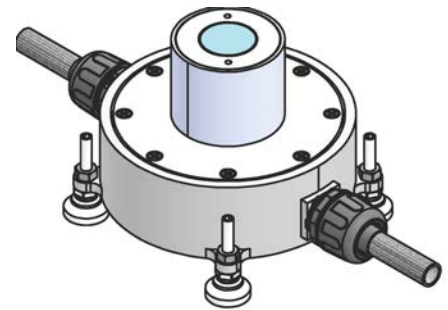


NECK PLATE

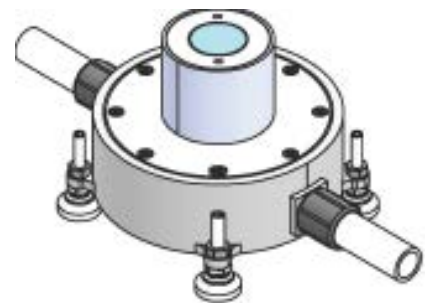


FIXTURE HOUSING

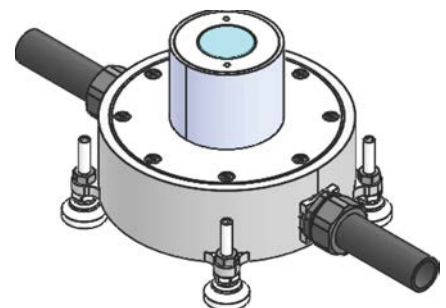
LEVELING STAND



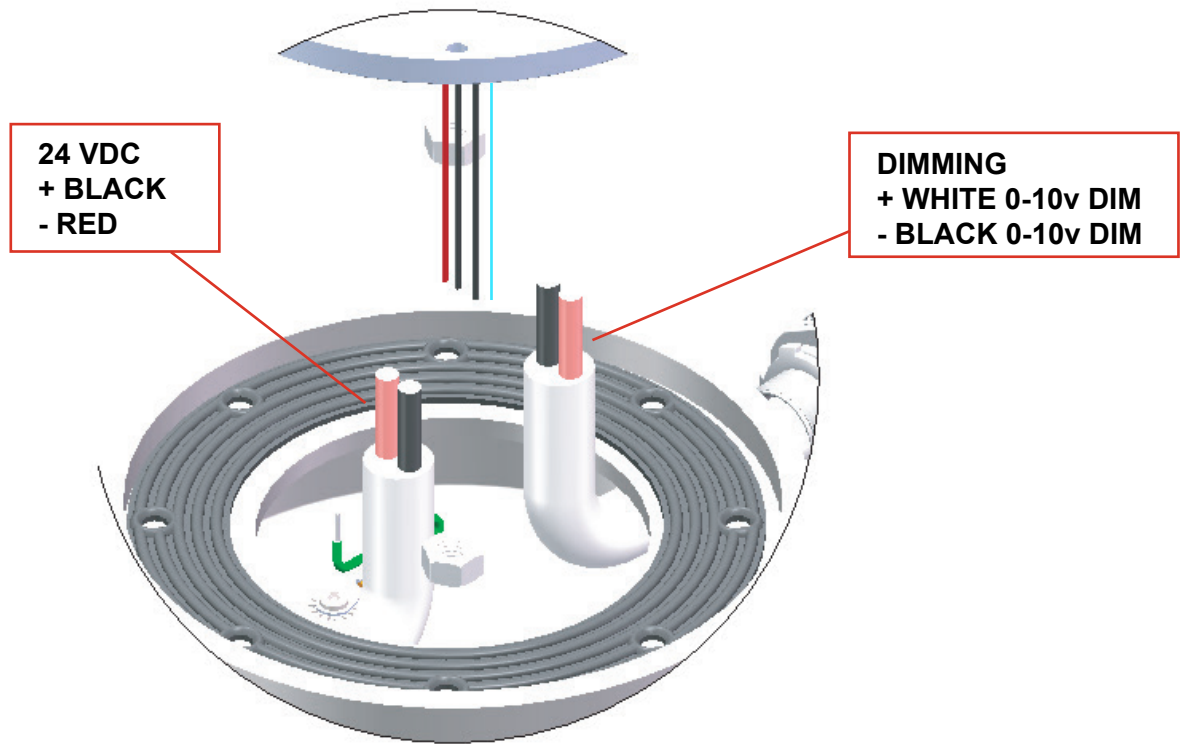
CONDUIT w. CABLE



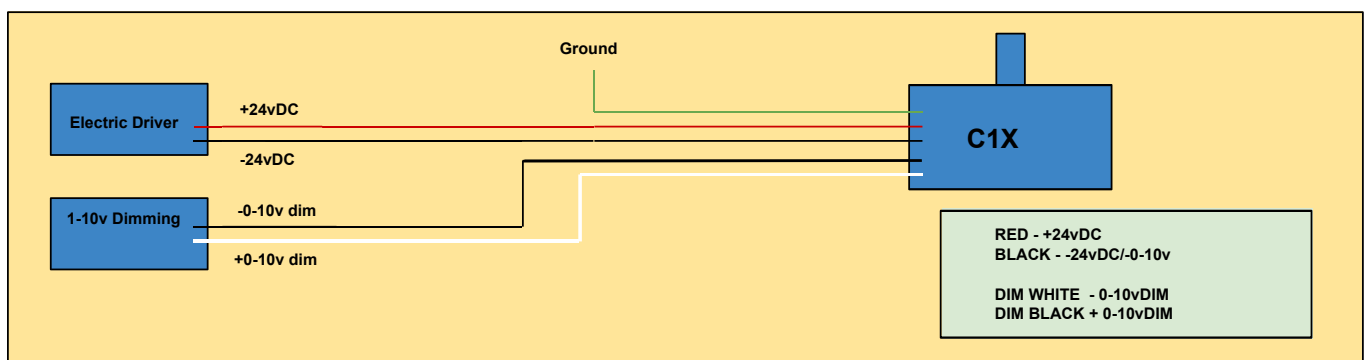
CONDUIT w. PVC PIPE



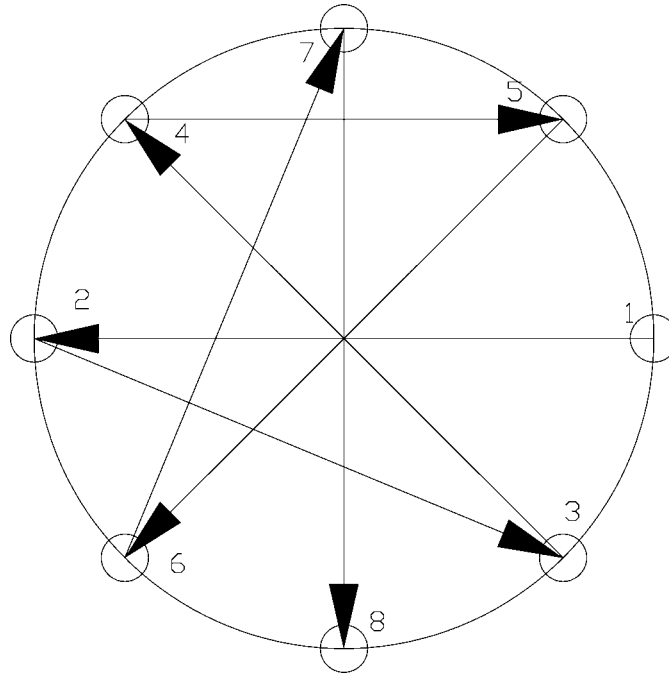
CONDUIT w. STEEL PIPE



Wiring Diagram



Screw Tighten Direction



The individual lamps must be connected in parallel. Only power up the system once all the lamps have being connected.

- Only power up the system once all the lamps are connected. Connecting an individual lamp to an active power supply may cause the lamp to break due to over-voltage.
- Lamps and power supply units must be installed in well-ventilated boxes or locations to allow a natural heat diffusion and avoid the devices overheating.
- On the power system, install a surge protection device to reduce the intensity of any voltage spikes to protect the lighting fixtures from the risk of damage.
- Fixture NOT suitable for covering with thermally insulating material.