

The Centaur C2X is a 2.5" diameter ingrade uplight made of stainless steel that is suitable for power washing and is driveover rated up to 11,000 lbs.



Fixture Dimensions
 Ø2.5" x 4.0" h
 See Full Drawing on page 2

TECHNICAL DATA

Wattage / Input	1W, 3W (24VDC)
Power Supply	Remote, not included. See page 2.
Construction	Body and Trim: Stainless Steel 304 Alloy Jbox: Cast Stainless Steel Lens: 0.4" Clear, Frosted or Internally Ceramic Coated Tempered Glass Lens Frame: Threaded Bottlecap
CCT	3000K, 4000K, 5000K
CRI	CRI>80
Delivered Lumens	260 lm (3000K, 24VDC)
Efficacy	260 lm/W, 86.7 lm/W
Optics	0°, 10°, 21°, 39°, 10°x44°
Finishes	Stainless Steel 304 Alloy
Fixture Dimensions	Ø2.5" x 4.0" h
LED Source	1 Cree XPE LED
IP Rating	IP68, IP69
Driveover Rated	11,000 lbs

ORDERING INFORMATION

Example: C2X-L-330-4-SS-1-X-G-00. Power Supplies ordered separately.

C2X-L	-		-	4	-	SS	-		-	X	-		-	00
Model No.	Wattage/CCT	Body	Finish	Optics	Driver	Lens	Options							
C2X-L	130 - 1W, 3000K 140 - 1W, 4000K 150 - 1W, 5000K 330 - 3W, 3000K 340 - 3W, 4000K 350 - 3W, 5000K	4 - Recessed box with conduit entries	SS - Stainless Steel	1 - 10° 2 - 21° 3 - 39° 4 - 10°x44° Elliptical 0 - None <i>Note: Optics for use with 'T' clear glass lens. They are not intended for 'K' or 'G' lens - use 0 - None</i>	X - Remote <i>See p.2 to specify</i> <i>Note: 0-10V on board dimming included</i>	T - Clear Tempered Glass K - Internally Ceramic Coated G - Frosted Tempered Glass <i>Note: Optics for use with 'T' clear glass lens. They are not intended for 'K' or 'G' lens - use 0 - None</i>	00 - None							

Job Name/Date:

Fixture Type Designation:

SUGGESTED POWER SUPPLIES

24VDC

Part Number	Description	Input/Output	# of Fixtures	
			1W	3W
PPLT00128	Non-Dim	120VAC to 24VDC, 6W, Class 2, IP65	1-4	1-1
PPLT00155	Non-Dim	120VAC to 24VDC, 30W, Class 2	1-24	1-8
PPLT00586	Non-Dim	120-277VAC to 24VDC, 40W, Class 2	1-32	1-10
PPLT00158	Non-Dim	120VAC to 24VDC, 100W, Class 2	1-80	1-26

Suggested Lutron Compatible

Part Number	Option	Lutron SKU	Dim Range	Description	Input/Output	# of Fixtures	
						1W	3W
PPLT00273	L3DAE / L3DA3W	L3DA	100%-1%	Hi-Lume™ 1% EcoSystem™ or 1% 3-Wire LED Driver	120-277VAC to 24VDC, 40W, Class 2	1-32	1-10
PPLT00530	L3DAE / L3D0	L3DA/L3D0	100%-1%	Hi-Lume™ 0.1% EcoSystem™ or 3-Wire LED Driver	120-277VAC to 24VDC, 96W, Class 2	1-76	1-25

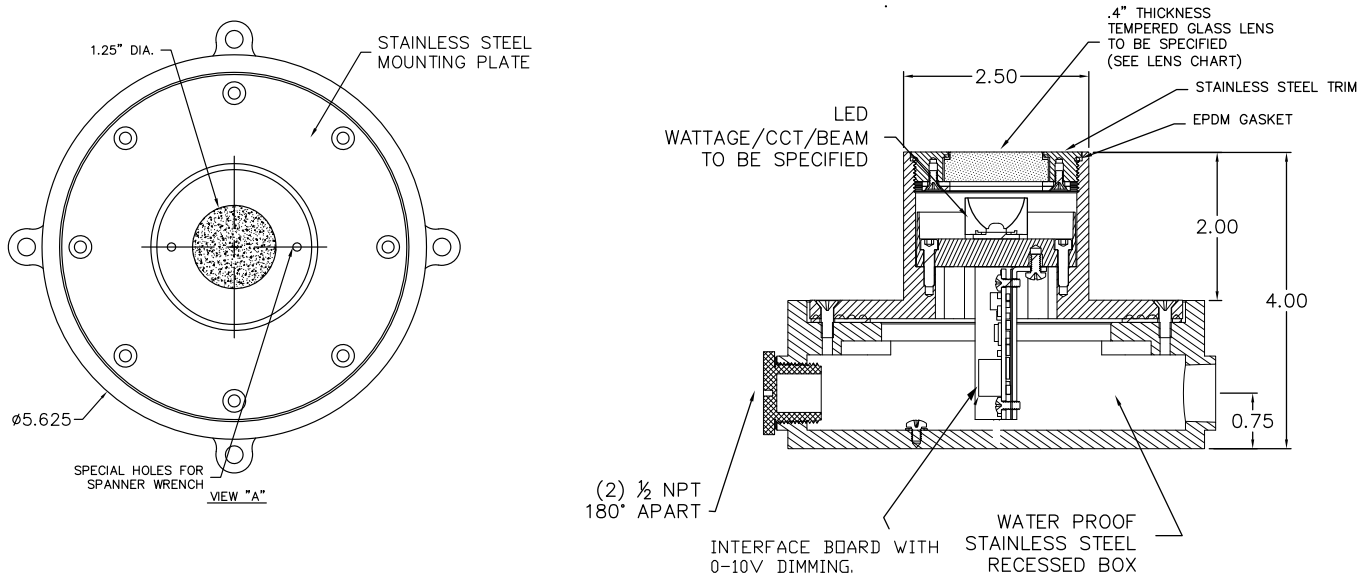
For other power supply options consult factory.

NOTE: 0-10V DIMMING INTERFACE INCLUDED - to be wired separately

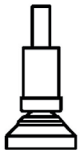
Job Name/Date:

Fixture Type Designation:

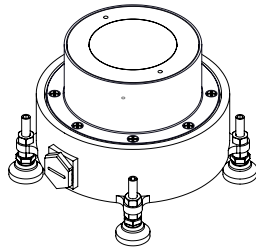
FIXTURE DIMENSIONS



ACCESSORIES - Installation



LL301 - Optional
Leveling Pad
Set of 4



Job Name/Date:

Fixture Type Designation: