

The Centaur C2X is a 2.5" diameter ingrade uplight made of stainless steel that is suitable for power washing and is driveover rated up to 11,000 lbs.

## TECHNICAL DATA

<b>Wattage / Input</b>	1W, 3W (24VDC)
<b>Power Supply</b>	Remote, not included. See page 2.
<b>Construction</b>	Body and Trim: Stainless Steel 304 Alloy Jbox: Cast Stainless Steel Lens: 0.4" Clear, Frosted or Internally Ceramic Coated Tempered Glass Lens Frame: Threaded Bottlecap
<b>CCT</b>	3000K, 4000K, 5000K
<b>CRI</b>	CRI>80
<b>Delivered Lumens</b>	260 lm (3000K, 24VDC)
<b>Efficacy</b>	260 lm/W, 86.7 lm/W
<b>Optics</b>	0°, 10°, 21°, 39°, 10°x44°
<b>Finishes</b>	Stainless Steel 304 Alloy
<b>Fixture Dimensions</b>	Ø2.5" x 4.0" h
<b>LED Source</b>	1 Cree XPE LED
<b>IP Rating</b>	IP68, IP69K
<b>Driveover Rated</b>	11,000 lbs



**MADE IN THE U.S.A.**

Fixture Dimensions  
Ø2.5" x 4.0" h  
See Full Drawing on page 2

## ORDERING INFORMATION

*Example: C2X-L-330-4-SS-1-X-G-00. Power Supplies ordered separately.*

C2X-L	-		-	4	-	SS	-		-	X	-		-	00
Model No.	Wattage/CCT	Body	Finish	Optics	Driver	Lens	Options							
C2X-L	130 - 1W, 3000K 140 - 1W, 4000K 150 - 1W, 5000K 330 - 3W, 3000K 340 - 3W, 4000K 350 - 3W, 5000K	4 - Recessed box with conduit entries	SS - Stainless Steel	0 - None 1 - 10° 2 - 21° 3 - 39° 4 - 10°x44° Elliptical  <i>Note: Optics for use with 'T' clear glass lens. They are not intended for 'K' or 'G' lens.</i>	X - Remote  <i>See p.2 to specify</i>  <i>Note: 0-10V on board dimming included</i>	T - Clear Tempered Glass  K - Internally Ceramic Coated  G - Frosted Tempered Glass  <i>Note: Optics for use with 'T' clear glass lens. They are not intended for 'K' or 'G' lens.</i>	00 - None							

Job Name/Date:

Fixture Type Designation:

## SUGGESTED POWER SUPPLIES

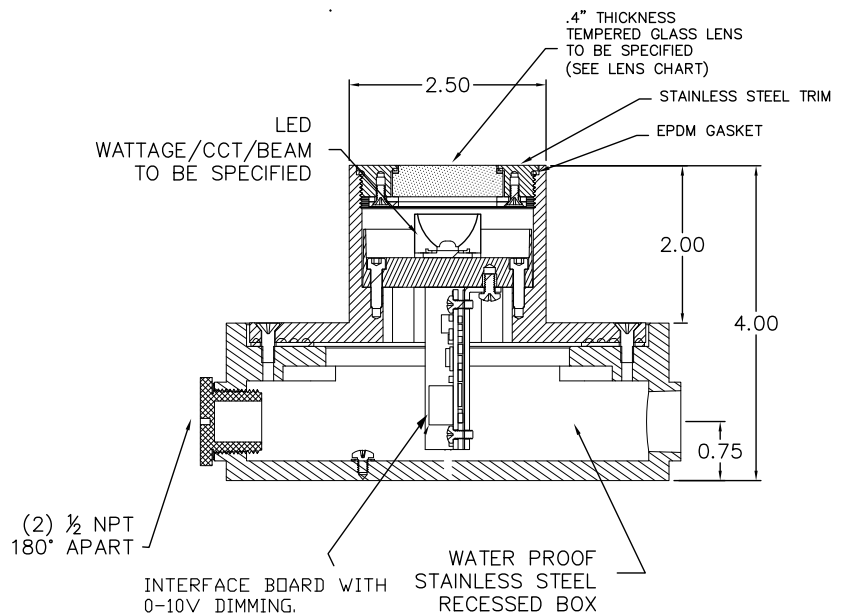
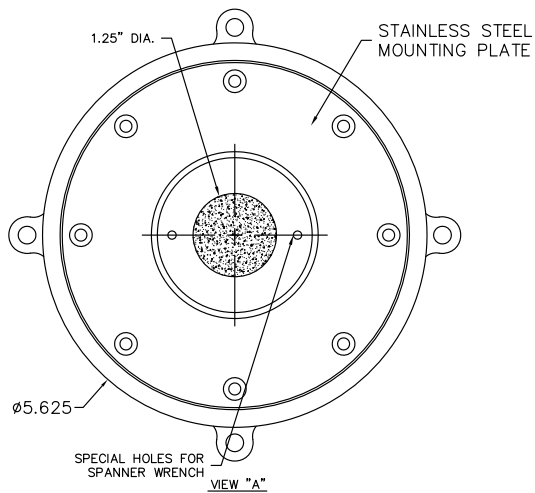
24VDC

Part Number	Description	Input/Output	# of Fixtures	
			1W	3W
<a href="#">PPLT00128</a>	Non-Dim	120VAC to 24VDC, 6W, Class 2, IP65	1-4	1-1
<a href="#">PPLT00056</a>	Non-Dim	120-277VAC to 24VDC, 26W, Class 2, IP66	1-20	1-6
<a href="#">PPLT00155</a>	Non-Dim	120VAC to 24VDC, 30W, Class 2	1-24	1-8
<a href="#">PPLT00157</a>	Non-Dim	120VAC to 24VDC, 60W, Class 2	1-48	1-16
<a href="#">PPLT00158</a>	Non-Dim	120VAC to 24VDC, 100W, Class 2	1-80	1-26

For other power supply options consult factory.

**NOTE: 0-10V DIMMING INTERFACE INCLUDED - to be wired separately**

## FIXTURE DIMENSIONS



Job Name/Date:

Fixture Type Designation: