



**INSTRUCTIONS PERTAINING TO RISK OF FIRE OR INJURY TO PERSONS. READ ALL INSTRUCTIONS. IMPORTANT SAFETY INSTRUCTIONS. SAVE THESE INSTRUCTIONS.**

**DANGER - RISK OF SHOCK - DISCONNECT POWER BEFORE INSTALLATION! Please read all instructions before installation.**

- Keep these instructions for future reference.
- Must be installed by a qualified electrician in accordance with national and local standards. Designplan is not responsible for fixtures installed without regard to these standards.
- Unauthorized alterations or tampering of product voids warranty.
- The main power connection must be in accordance with local electrical codes.
- Suitable for OUTDOOR applications.



**IP68 IP69**

### Electrical Connections:

- LED lights must be **connected in parallel** respecting polarities.
- **CHOOSE POWER SUPPLY ACCORDINGLY.** Please consider the voltage through which fixtures are fed as well as the max power consumption.
- **Connect power only if all the fixtures are connected.**
- The power supplies **MUST** be installed in aerated rooms, far from heat sources. Overworking or lack of air circulation will not permit natural dissipation.
- Use only Class 2 type electronic power supply.
- Never use switches on secondary circuit.

**ATTENTION: For In-Grade:** It is the contractor's responsibility to seal the inside of the conduit with "Great Stuff" aerosol seal that prevents water and moisture penetration for ultimate protection. Contractor **MUST** use silicone gel-filled wire nuts for all electrical connections.

### Maintenance

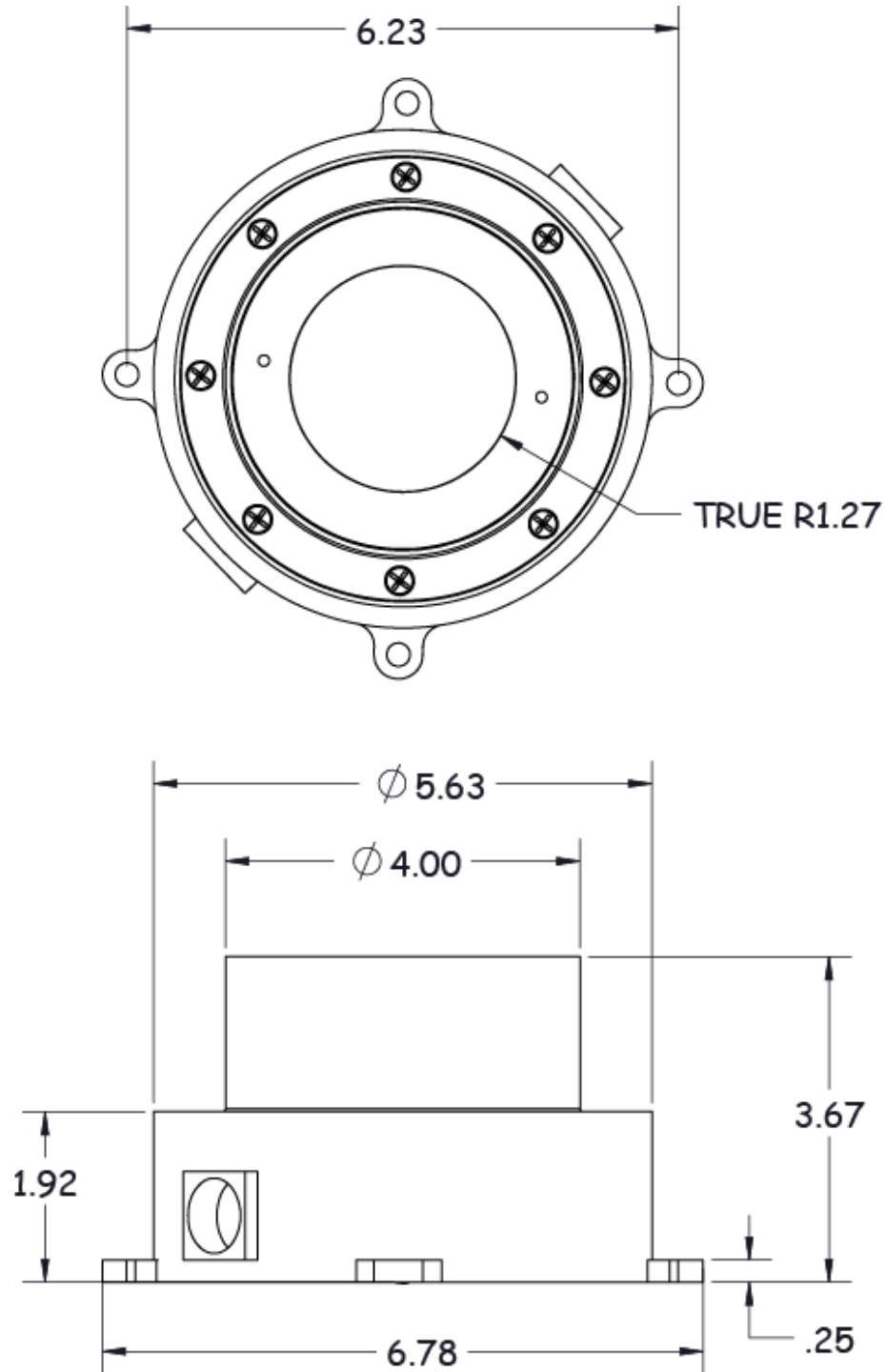
Scheduled maintenance must be carried out once a year on all lighting devices, regardless of appliance class and type of use. It must include the following operations:

- Periodically clean fixtures to remove dirt from gratings and screw heads.
- Check tightness of screws on various parts of the device.
- Check that all cable glands and cables are intact and tight. Check that the glass or plastic lens is intact, and replace it if broken or damaged.
- The internal components such as the ballast, driver, washers and screws must not show clear signs of oxidation or rust. Clear traces of rust and oxidation will indicate the presence of water inside the device.
- In the case of damage, the components must be replaced by original components or spare parts.

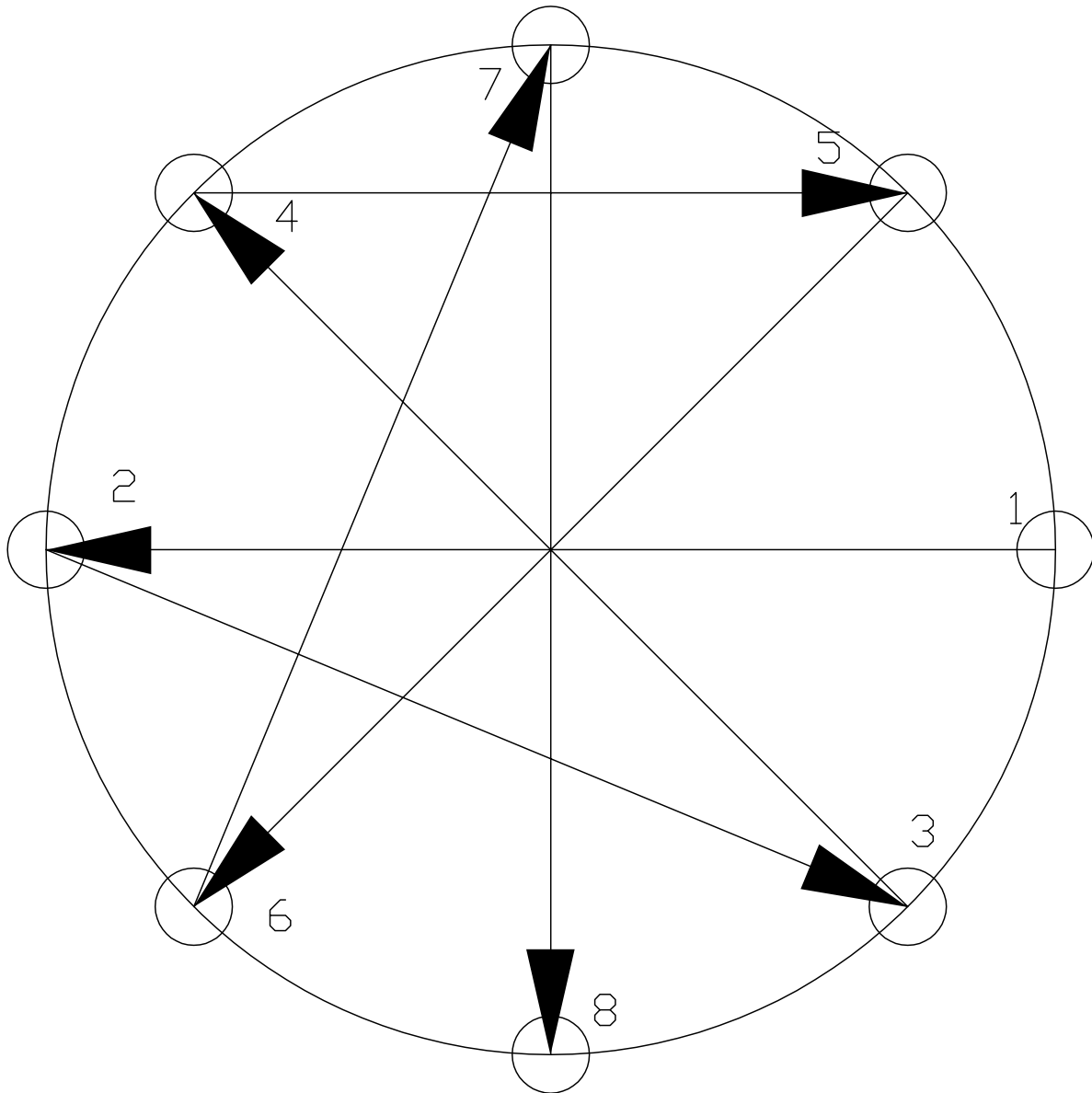
## Fixture Installation

- These C4C fixtures are low voltage DC, LED luminaries, made to conform to “wet label” requirements.
- Remove outlet box from bottom of fixture to easily access the ½” NPT holes.
- Provide adequate support for fixture base.
- Proper, reliable and dependable operation requires careful wiring between fixtures and their driver. Please
- **Red pos +24 VDC & Blue neg - 24VDC for the POWER input.**
- **White pos +, Black neg - & Green DMX ground for DATA connection(DMX).**
- **All wires are labeled and should be wired and use the appropriate wire nuts, or other suitable connectors (NO provided)**
- Use gel-filled waterproof wire-nuts for wire connections.
- It is the contractor's responsibility to install Remote Driver in a suitable electrical enclosure.
- The outlet box is provided with two - ½” NPT holes. Use proper liquid tight fittings to seal incoming power wires. Make sure that all threads on the fittings are properly sealed with teflon tape or other pipe thread sealant material. It is absolutely critical that threads are properly sealed to prevent water from entering housing. If using conduit entries, the entries must be sealed with “Dow 'Great Stuff' Gaps & Cracks” (not provided). The foam should be sprayed from inside the fixture up into the conduit. Failure by the contractor to use the Dow product could cause a void in the warranty.
- Before installing the mounting plate of the C4C over the large housing box, make certain the surface is free of any foreign matter.
- Tighten the C4C mounting plate to the outlet box with the eight- (8) screws provided ([see attached sheet for proper mounting sequence](#)).
- Make certain all lenses are threaded hand tight. Make sure fixtures are adequately supported and all connections properly and securely wired before applying power to driver. Energize the fixture and let heat up to drive out any remaining moisture. Use the supplied spanner wrench to fully tighten the lens to the body.
- Consult factory if any question arise.

## Fixture Dimensions

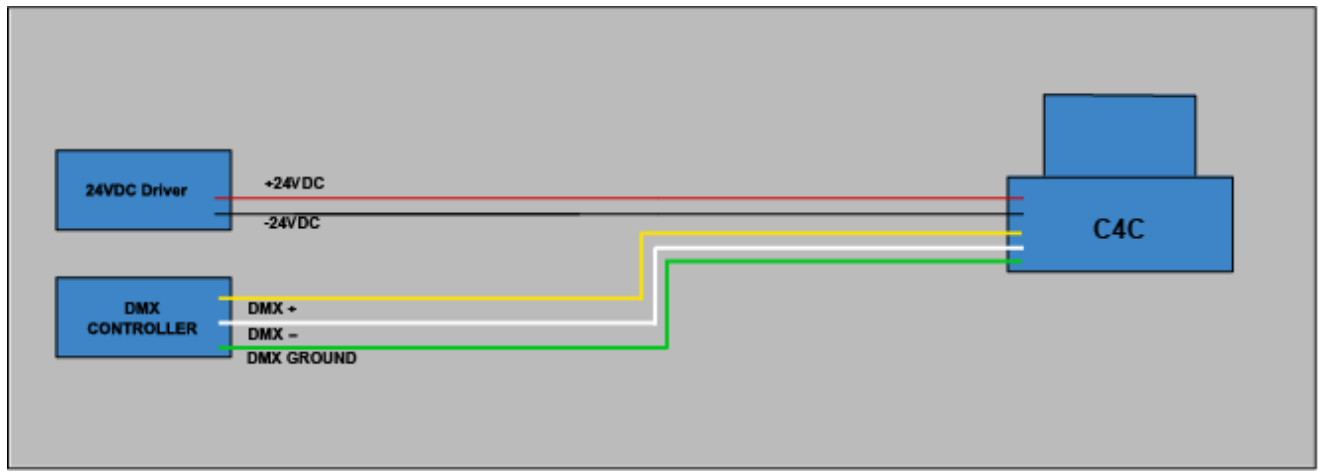


Screw Tightening Pattern



## POWER/DMX

### Wiring Diagram



DMX/RDM - IN	POWER:
YELLOW - POS +	RED - POS (+24VDC)
WHITE - NEG -	BLACK - NEG (-24VDC)
GREEN - GOUND	