

# Centaur C4C

The Centaur C4C is a 4" diameter in-grade color changing upright made of stainless steel that is suitable for power washing and is driveover rated up to 11,000 lbs.



Fixture Dimensions  
 Ø4.0" x 4.0" h  
 See Full Drawing on page 2

## TECHNICAL DATA

<b>Wattage / Input</b>	5W (24VDC)
<b>Power Supply</b>	Remote, not included. See page 2.
<b>DMX Control</b>	Internal DMX Factory Set
<b>Construction</b>	Body and Trim: Stainless Steel 304 Alloy Jbox: Cast Stainless Steel Lens: 0.4" Tempered Glass Lens Frame: Threaded Bottlecap
<b>CCT</b>	RGBW, Tunable White
<b>CRI</b>	CRI>80
<b>Optics</b>	0°, 10°, 30°
<b>Finishes</b>	Stainless Steel 304 Alloy
<b>Fixture Dimensions</b>	Ø4.0" x 4.0" h
<b>LED Source</b>	Cree MCE LED
<b>IP Rating</b>	IP68, IP69
<b>Driveover Rated</b>	Up to 11,000 lbs

## ORDERING INFORMATION

Example: C4C-L-5RW-4-SS-1-X-T-0. Power Supplies / Accessories ordered separately.

C4C-L	-		-	4	-	SS	-		-	X	-		-	
-------	---	--	---	---	---	----	---	--	---	---	---	--	---	--

Model #	CCT	Body	Finish	Optics	Driver	Lens	Options
C4C-L	5RW - 5W-RGBW 5TW - 5W-Tunable White	4 - Recessed box with conduit entries	SS - Stainless Steel	0 - None 1 - 10° 2 - 30°	X - Remote <i>See p.2 to specify</i>  <i>Note: Unit equipped with integral DMX interface</i>	T - Clear Tempered Glass G - Frosted Tempered Glass K - Flash White BTM & Clear Top Q - Non-Skid Patterned Tempered Glass	0 - None Q - Honeycomb Louver  <i>Note: Rubber Lens Holder PP600167 included w/ options</i>

Job Name/Date:

Fixture Type Designation:

## SUGGESTED POWER SUPPLIES

24VDC

Part Number	Description	Input/Output	# of Fixtures
<a href="#">PPLT00149</a>	Non-Dim	120VAC to 24VDC, 10W, Class 2, IP65	1-1
<a href="#">PPLT00632</a>	0-10V Dimming (Dim to Off)	120-277VAC to 24VDC, 12W, Class 2	1-1
<a href="#">PPLT00056</a>	Non-Dim	120-277VAC to 24VDC, 26W, Class 2, IP66	1-4
<a href="#">PPLT00155</a>	Non-Dim	120VAC to 24VDC, 30W, Class 2	1-4
<a href="#">PPLT00157</a>	Non-Dim	120VAC to 24VDC, 60W, Class 2	1-6
<a href="#">PPLT00709</a>	ELV / TRIAC & 0-10V Dimming	120-277VAC to 24VDC, 96W, Class 2, DAMP	1-15
<a href="#">PPLT00158</a>	Non-Dim	120VAC to 24VDC, 100W, Class 2	1-16
<a href="#">PPLT00543</a>	0-10V Dimming to 15% (-40°C / -40°F cold weather start)	120-277VAC to 24VDC, 100W, Class 2	2-16

## Suggested Lutron Compatible

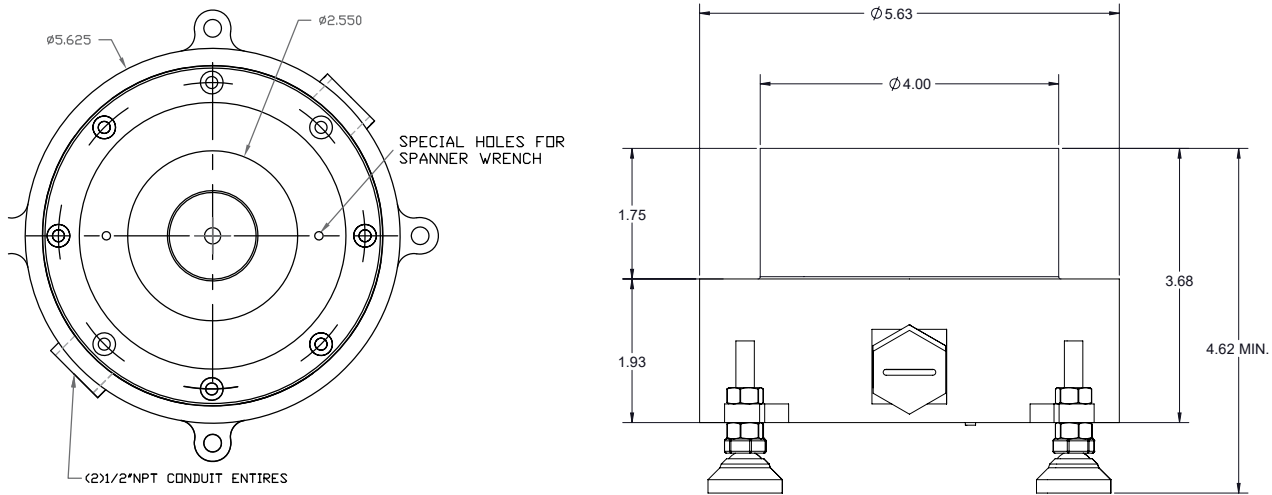
Part Number	Option	Lutron SKU	Dim Range	Description	Input/Output	# of Fixtures
<a href="#">PPLT00273</a>	L3DAE / L3DA3W	L3DA	100%-1%	Hi-Lume™ 1% EcoSystem™ or 1% 3-Wire LED Driver	120-277VAC to 24VDC, 40W, Class 2	1-6
<a href="#">PPLT00530</a>	L3D0	L3D0	100%-0.1%	Hi-Lume™ Premier 0.1% or Ecosystem 3-Wire LED Driver	120-277VAC to 24VDC , 96W, Class 2	1-15

For other power supply options consult factory.

Job Name/Date:

Fixture Type Designation:

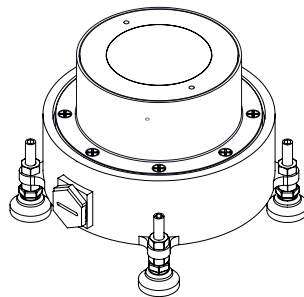
## FIXTURE DIMENSIONS



## ACCESSORIES - Installation



**LL301** - Optional  
Leveling Pad  
Set of 4



Job Name/Date:

Fixture Type Designation: