

Centaur C4C

The Centaur C4C is a 4" diameter in-grade color changing upright made of stainless steel that is suitable for power washing and is driveover rated up to 11,000 lbs.



Fixture Dimensions
 Ø4.0" x 4.0" h
 See Full Drawing on page 2

TECHNICAL DATA

Wattage / Input	5W (24VDC)
Power Supply	Remote, not included. See page 2.
DMX Control	Internal DMX Factory Set
Construction	Body and Trim: Stainless Steel 304 Alloy Jbox: Cast Stainless Steel Lens: 0.4" Tempered Glass Lens Frame: Threaded Bottlecap
CCT	RGBW, Tunable White
CRI	CRI>80
Optics	0°, 10°, 30°
Finishes	Stainless Steel 304 Alloy
Fixture Dimensions	Ø4.0" x 4.0" h
LED Source	Cree MCE LED
IP Rating	IP68, IP69
Driveover Rated	Up to 11,000 lbs

ORDERING INFORMATION

Example: C4C-L-5RW-4-SS-1-X-T-0. Power Supplies / Accessories ordered separately.

C4C-L		-	4	-	SS	-	X	-		-	
-------	--	---	---	---	----	---	---	---	--	---	--

Model #	CCT	Body	Finish	Optics	Driver	Lens	Options
C4C-L	5RW - 5W-RGBW 5TW - 5W-Tunable White	4 - Recessed box with conduit entries	SS - Stainless Steel	0 - None 1 - 10° 2 - 30°	X - Remote <i>See p.2 to specify</i> <i>Note: Unit equipped with integral DMX interface</i>	T - Clear Tempered Glass G - Frosted Tempered Glass K - Flash White BTM & Clear Top J - Flash White BTM & Non-Skid Top Pattern Q - Non-Skid Patterned Tempered Glass	0 - None Q - Honeycomb Louver <i>Note: Rubber Holder required for any/all options</i>

Job Name/Date:

Fixture Type Designation:

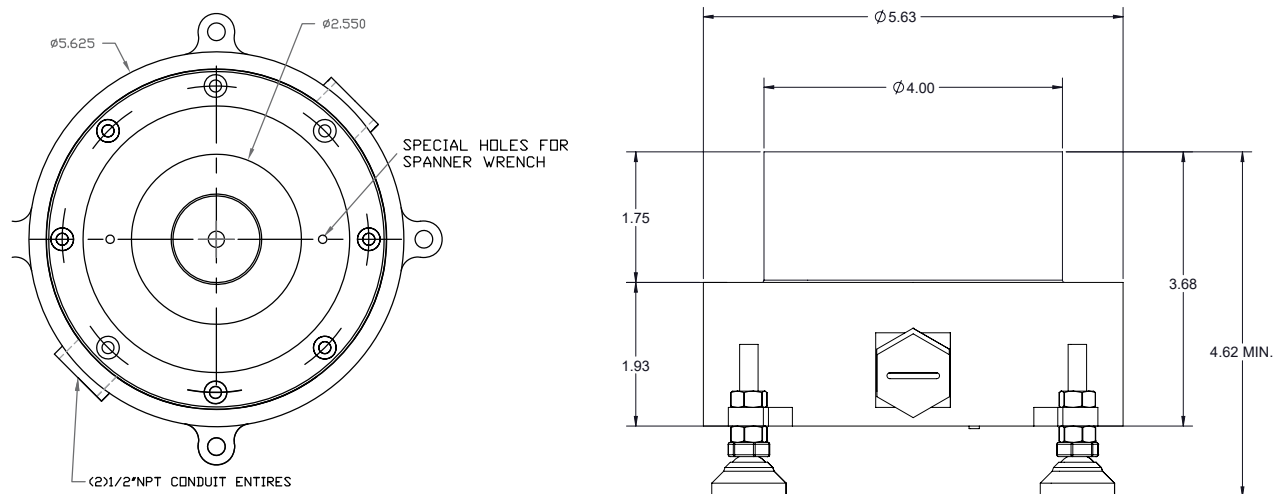
SUGGESTED POWER SUPPLIES

24VDC

Part Number	Description	Input/Output	# of Fixtures
PPLT00149	Non-Dim	120VAC to 24VDC, 10W, Class 2, IP65	1-1
PPLT00632	0-10V Dimming (Dim to Off)	120-277VAC to 24VDC, 12W, Class 2	1-1
PPLT00056	Non-Dim	120-277VAC to 24VDC, 26W, Class 2, IP66	1-4
PPLT00155	Non-Dim	120VAC to 24VDC, 30W, Class 2	1-4
PPLT00157	Non-Dim	120VAC to 24VDC, 60W, Class 2	1-9
PPLT00599	ELV / TRIAC & 0-10V Dimming (100 to 0%)	120-277VAC to 24VDC, 96W, Class 2	1-15
PPLT00158	Non-Dim	120VAC to 24VDC, 100W, Class 2	1-16
PPLT00543	0-10V Dimming to 15% (-40°C / -40°F cold weather start)	120-277VAC to 24VDC, 100W, Class 2	2-16

For other power supply options consult factory.

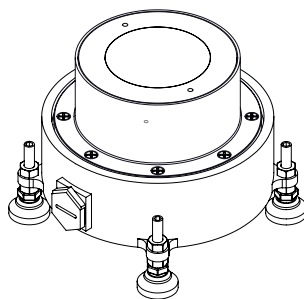
FIXTURE DIMENSIONS



ACCESSORIES - Installation



LL301 - Optional
Leveling Pad
Set of 4



Job Name/Date:

Fixture Type Designation: