

# Centaur C4C

The Centaur C4C is a 4" diameter in-grade color changing upright made of stainless steel that is suitable for power washing and is driveover rated up to 11,000 lbs.



Fixture Dimensions  
 Ø4.0" x 4.0" h  
 See Full Drawing on page 2

## TECHNICAL DATA

<b>Wattage / Input</b>	5W (24VDC)
<b>Power Supply</b>	Remote, not included. See page 2.
<b>DMX Control</b>	Internal DMX Factory Set
<b>Construction</b>	Body and Trim: Stainless Steel 304 Alloy Jbox: Cast Stainless Steel Lens: 0.4" Tempered Glass Lens Frame: Threaded Bottlecap
<b>CCT</b>	RGBW, Tunable White
<b>CRI</b>	CRI>80
<b>Optics</b>	0°, 10°, 30°
<b>Finishes</b>	Stainless Steel 304 Alloy
<b>Fixture Dimensions</b>	Ø4.0" x 4.0" h
<b>LED Source</b>	Cree MCE LED
<b>IP Rating</b>	IP68, IP69
<b>Driveover Rated</b>	Up to 11,000 lbs

## ORDERING INFORMATION

*Example: C4C-L-5RW-4-SS-1-X-T-0. Power Supplies / Accessories ordered separately.*

C4C-L		-	4	-	SS	-	X	-		-	
-------	--	---	---	---	----	---	---	---	--	---	--

Model #	CCT	Body	Finish	Optics	Driver	Lens	Options
C4C-L	<b>5RW</b> - 5W-RGBW <b>5TW</b> - 5W-Tunable White	<b>4</b> - Recessed box with conduit entries	<b>SS</b> - Stainless Steel	<b>0</b> - None <b>1</b> - 10° <b>2</b> - 30°	<b>X</b> - Remote  <i>See p.2 to specify</i>  <i>Note: Unit equipped with integral DMX interface</i>	<b>T</b> - Clear Tempered Glass <b>G</b> - Frosted Tempered Glass <b>K</b> - Flash White BTM & Clear Top <b>J</b> - Flash White BTM & Non-Skid Top Pattern <b>Q</b> - Non-Skid Patterned Tempered Glass	<b>0</b> - None <b>Q</b> - Honeycomb Louver  <i>Note: Rubber Holder required for any/all options</i>

Job Name/Date:

Fixture Type Designation:

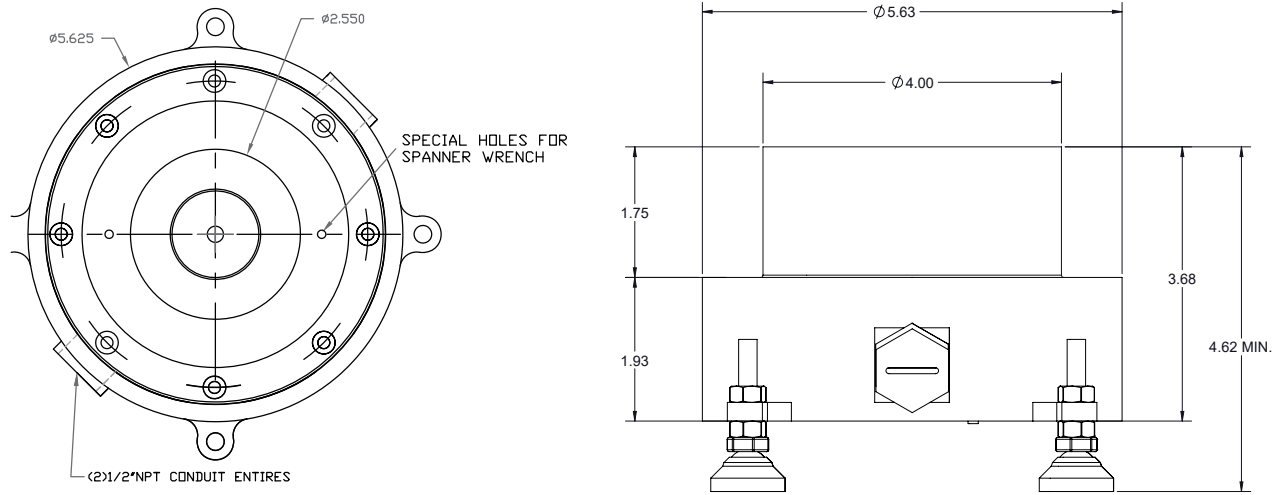
## SUGGESTED POWER SUPPLIES

24VDC

Part Number	Description	Input/Output	# of Fixtures
<a href="#">PPLT00149</a>	Non-Dim	120VAC to 24VDC, 10W, Class 2, IP65	1-1
<a href="#">PPLT00632</a>	0-10V Dimming (Dim to Off)	120-277VAC to 24VDC, 12W, Class 2	1-1
<a href="#">PPLT00056</a>	Non-Dim	120-277VAC to 24VDC, 26W, Class 2, IP66	1-4
<a href="#">PPLT00155</a>	Non-Dim	120VAC to 24VDC, 30W, Class 2	1-4
<a href="#">PPLT00157</a>	Non-Dim	120VAC to 24VDC, 60W, Class 2	1-9
<a href="#">PPLT00627</a>	ELV / TRIAC & 0-10V Dimming (100 to 0%), IP67	120-277VAC to 24VDC, 96W, Class 2	1-15
<a href="#">PPLT00158</a>	Non-Dim	120VAC to 24VDC, 100W, Class 2	1-16
<a href="#">PPLT00543</a>	0-10V Dimming to 15% (-40°C / -40°F cold weather start)	120-277VAC to 24VDC, 100W, Class 2	2-16

For other power supply options consult factory.

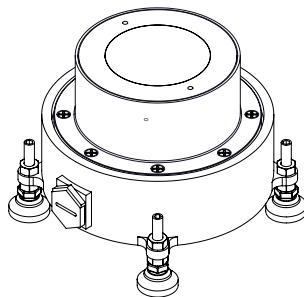
## FIXTURE DIMENSIONS



## ACCESSORIES - Installation



**LL301** - Optional  
Leveling Pad  
Set of 4



Job Name/Date:

Fixture Type Designation: