

# Centaur C4G

The Centaur C4G is a 4" diameter ingrade uplight made of stainless steel that is suitable for power washing and is driveover rated up to 11,000 lbs.



Fixture Dimensions  
 Ø4.0" x 4.0" h  
 See Full Drawing on page 2

## TECHNICAL DATA

<b>Wattage / Input</b>	3W (120-277VAC)
<b>Power Supply</b>	Integral 120-277VAC Non-Dim
<b>Construction</b>	Body and Trim: Stainless Steel 304 Alloy Jbox: Cast Stainless Steel Lens: 0.4" Tempered Glass Lens Frame: Threaded Bottlecap
<b>CCT</b>	3000K, 4000K
<b>CRI</b>	CRI>80
<b>Delivered Lumens</b>	360 lm (3000K)
<b>Efficacy</b>	120 lm/W, 86.7 lm/W
<b>Optics</b>	None, 6°, 25°, 6°x25°
<b>Finishes</b>	Stainless Steel 304 Alloy
<b>Fixture Dimensions</b>	Ø4.0" x 4.0" h
<b>LED Source</b>	3 x 1W Cree XPE LED
<b>IP Rating</b>	IP68, IP69
<b>Driveover Rating</b>	11,000 lbs

## ORDERING INFORMATION

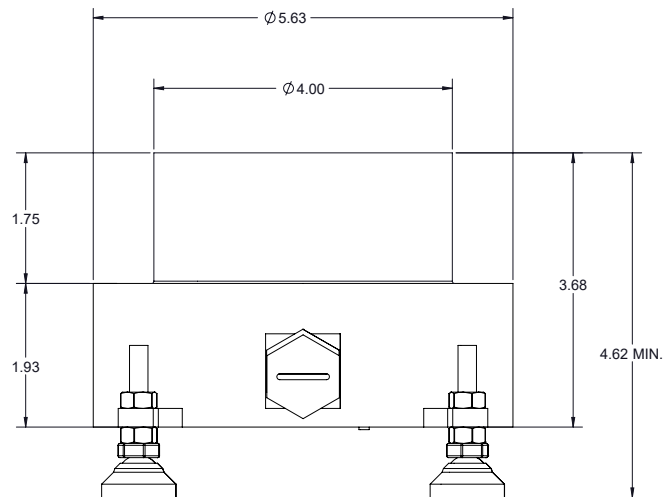
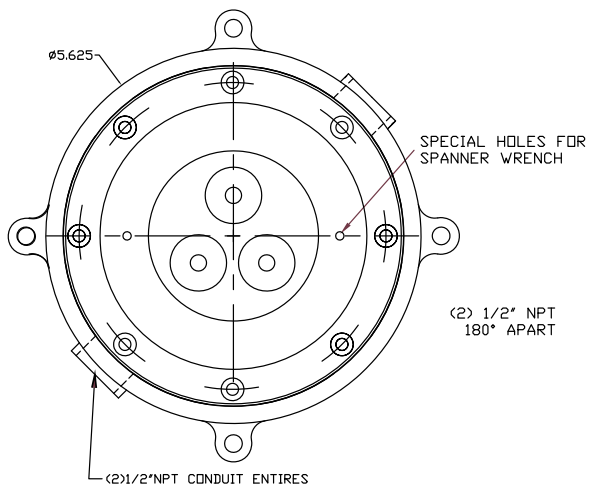
*Example: C4G-L-330-4-SS-1-C-T-0. Accessories ordered separately.*

<b>C4G-L</b>	-	4	-	SS	-	C	-	0
Model #	Watts/CCT	Body	Finish	Optics	Driver	Lens	Options	
C4G-L	330 - 3W, 3000K 340 - 3W, 4000K	4 - Recessed box with conduit entries	SS - Stainless Steel	0 - None 1 - 6° 3 - 25° 4 - 6°x25° Elliptical <i>Note: Optic options 1, 3 and 4 can only be used with "T" Lens</i>	C - Integral 120-277VAC Non-Dim	T - Clear Tempered Glass G - Frosted Tempered Glass K - Flash White BTM & Clear Top J - Flash White BTM & Non-Skid Top Pattern Q - Non-Skid Patterned Tempered Glass <i>Note: Optic options 1, 2 and 4 can only be used with "T" Lens</i>	0 - None Q - Honeycomb Louver <i>Note: Rubber Holder required for any/all options</i>	

Job Name/Date:

Fixture Type Designation:

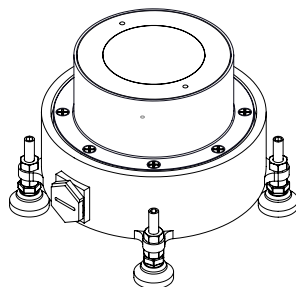
## FIXTURE DIMENSIONS



## ACCESSORIES - Installation



**LL301** - Optional  
Leveling Pad  
Set of 4



Job Name/Date:

Fixture Type Designation: