

Centaur C4X

The Centaur C4X is a 4" diameter ingrade upright made of stainless steel that is suitable for power washing and is driveover rated up to 11,000 lbs.



Fixture Dimensions
 Ø4.0" x 4.0" h
 See Full Drawing on page 2

TECHNICAL DATA

Wattage / Input	3W, 9W (24VDC)
Power Supply	Remote, not included. See page 2.
Construction	Body and Trim: Stainless Steel 304 Alloy Jbox: Cast Stainless Steel Lens: 0.4" Tempered Glass Lens Frame: Threaded Bottlecap
CCT	3000K, 4000K
CRI	CRI>80
Delivered Lumens	270 lm (9W, 6°, 3000K) 224 lm (9W, 6°x25°, 3000K)
Efficacy	30 lm/W (9W, 6°, 3000K) 25 lm/W (9W, 6°x25°, 3000K)
Optics	0°, 6°, 25°, 6°x25°
Finishes	Stainless Steel 304 Alloy
Fixture Dimensions	Ø4.0" x 4.0" h
LED Source	3x1W or 3x3W Cree XPE LED
IP Rating	IP68, IP69
Driveover Rated	11,000 lbs

ORDERING INFORMATION

Example: C4X-L-330-4-SS-1-X-T-0. Power Supplies / Accessories ordered separately.

C4X-L	-		-	4	-	SS	-		-	X	-		-	
Model #	Wattage/CCT	Body	Finish	Optics	Driver	Lens	Options							
C4X-L	330 - 3W, 3000K 340 - 3W, 4000K 930 - 9W, 3000K 940 - 9W, 4000K	4 - Recessed box with conduit entries	SS - Stainless Steel	0 - None 1 - 6° 2 - 25° 4 - 6°x25° Elliptical	X - Remote <i>See p.2 to specify</i> <i>Note: 0-10V on board dimming</i>	T - Clear Tempered Glass G - Frosted Tempered Glass K - Flash White BTM & Clear Top J - Flash White BTM & Non-Skid Top Pattern Q - Non-Skid Patterned Tempered Glass	0 - None Q - Honeycomb Louver <i>Note: Rubber Holder required for any/all options</i>							

Job Name/Date:

Fixture Type Designation:

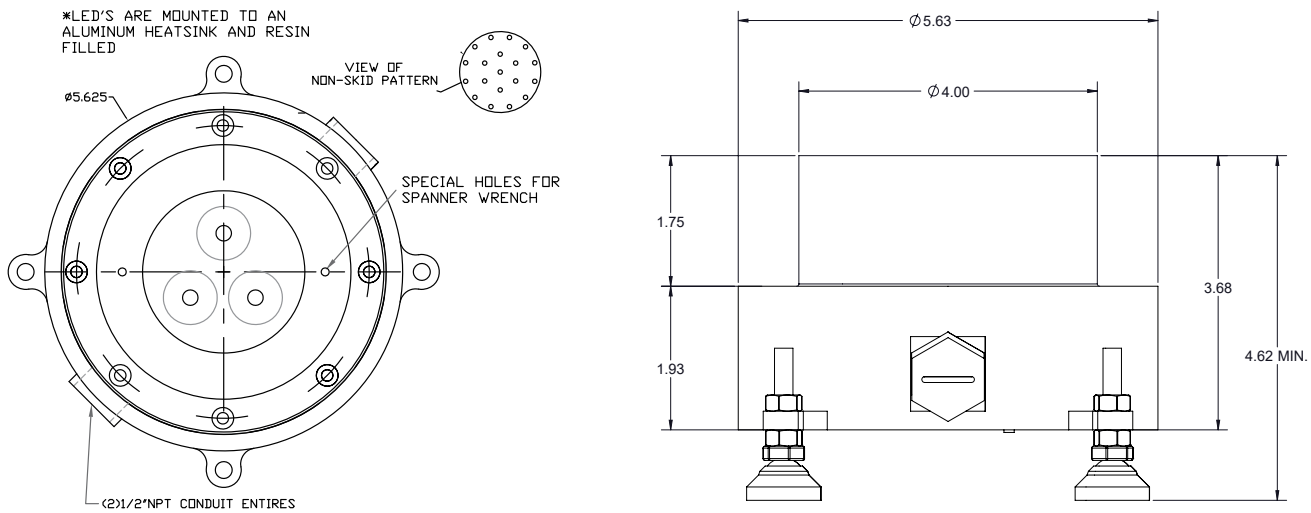
SUGGESTED POWER SUPPLIES 24VDC

Part Number	Description	Input/Output	# of Fixtures	
			3W	9W
PPLT00128	Non-Dim	120VAC to 24VDC, 6W, Class 2, IP65	1-1	—
PPLT00056	Non-Dim	120-277VAC to 24VDC, 26W, Class 2, IP66	1-6	1-2
PPLT00155	Non-Dim	120VAC to 24VDC, 30W, Class 2	1-8	1-2
PPLT00157	Non-Dim	120VAC to 24VDC, 60W, Class 2	1-16	1-5
PPLT00158	Non-Dim	120VAC to 24VDC, 100W, Class 2	1-26	1-8

For other power supply options consult factory.

NOTE: 0-10V DIMMING INTERFACE INCLUDED - to be wired separately

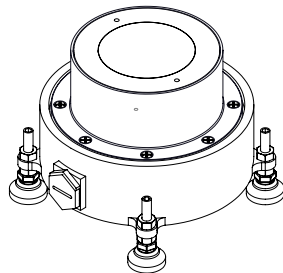
FIXTURE DIMENSIONS



ACCESSORIES - Installation



LL301 - Optional
Leveling Pad
Set of 4



Job Name/Date:

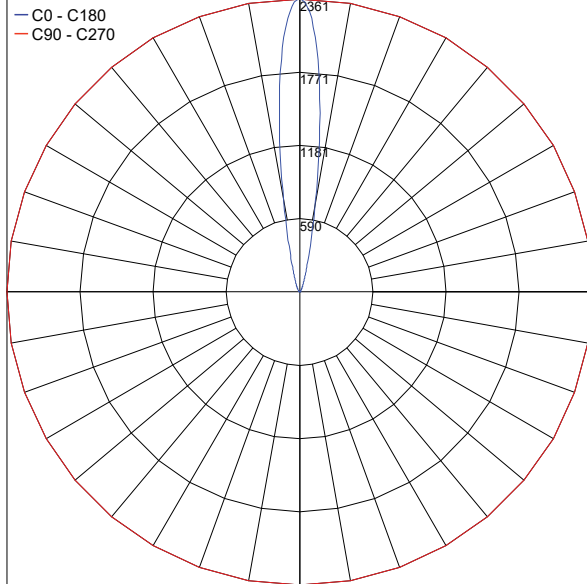
Fixture Type Designation:

PHOTOMETRIC DATA

Note all Photometry is 3000K

6°

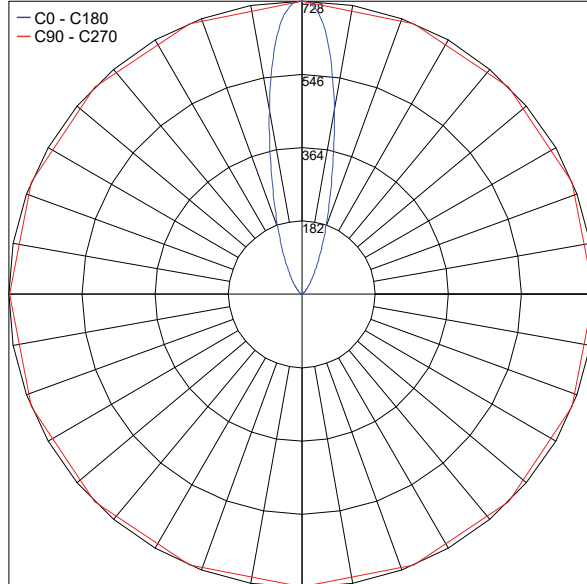
Maximum Candela = 2361



PHOTOMETRIC FILENAME : C4X-L9304SS1XTV0 9W 3000K 6°.IES

6°x25°

Maximum Candela = 727.9



PHOTOMETRIC FILENAME : C4X-L9304SS4XTV0 9W 3000K 6°x25°.IES

Job Name/Date:

Fixture Type Designation: