

# Centaur C4X

The Centaur C4X is a 4" diameter ingrade upright made of stainless steel that is suitable for power washing and is driveover rated up to 11,000 lbs.



Fixture Dimensions  
 Ø4.0" x 4.0" h  
 See Full Drawing on page 2

## TECHNICAL DATA

<b>Wattage / Input</b>	3W, 9W (24VDC)
<b>Power Supply</b>	Remote, not included. See page 2.
<b>Construction</b>	Body and Trim: Stainless Steel 304 Alloy Jbox: Cast Stainless Steel Lens: 0.4" Tempered Glass Lens Frame: Threaded Bottlecap
<b>CCT</b>	3000K, 4000K
<b>CRI</b>	CRI>80
<b>BUG Rating</b>	B0-U3-G0 (6°, 6°x25°)
<b>Delivered Lumens</b>	270 lm (9W, 6°, 3000K) 224 lm (9W, 6°x25°, 3000K)
<b>Efficacy</b>	30 lm/W (9W, 6°, 3000K) 25 lm/W (9W, 6°x25°, 3000K)
<b>Optics</b>	0°, 6°, 25°, 6°x25°
<b>Finishes</b>	Stainless Steel 304 Alloy
<b>Fixture Dimensions</b>	Ø4.0" x 4.0" h
<b>LED Source</b>	3x1W or 3x3W Cree XPE LED
<b>IP Rating</b>	IP68, IP69
<b>Driveover Rated</b>	11,000 lbs

## ORDERING INFORMATION

*Example: C4X-L-330-4-SS-1-X-0. Power Supplies / Accessories ordered separately.*

<b>C4X-L</b>	-		-	<b>4</b>	-	<b>SS</b>	-		-	<b>X</b>	-	
Model #	Wattage/CCT	Body	Finish	Optics	Driver	Lens	Options					
<b>C4X-L</b>	330 - 3W, 3000K 340 - 3W, 4000K 930 - 9W, 3000K 940 - 9W, 4000K	4 - Recessed box with conduit entries	SS - Stainless Steel	0 - None 1 - 6° 2 - 25° 4 - 6°x25° Elliptical	X - Remote <i>See p.2 to specify</i>  <i>Note: 0-10V on board dimming</i>	T - Clear Tempered Glass G - Frosted Tempered Glass K - Flash White BTM & Clear Top J - Flash White BTM & Non-Skid Top Pattern Q - Non-Skid Patterned Tempered Glass	0 - None Q - Honeycomb Louver  <i>Note: Rubber Holder required for any/all options</i>					

Job Name/Date:

Fixture Type Designation:

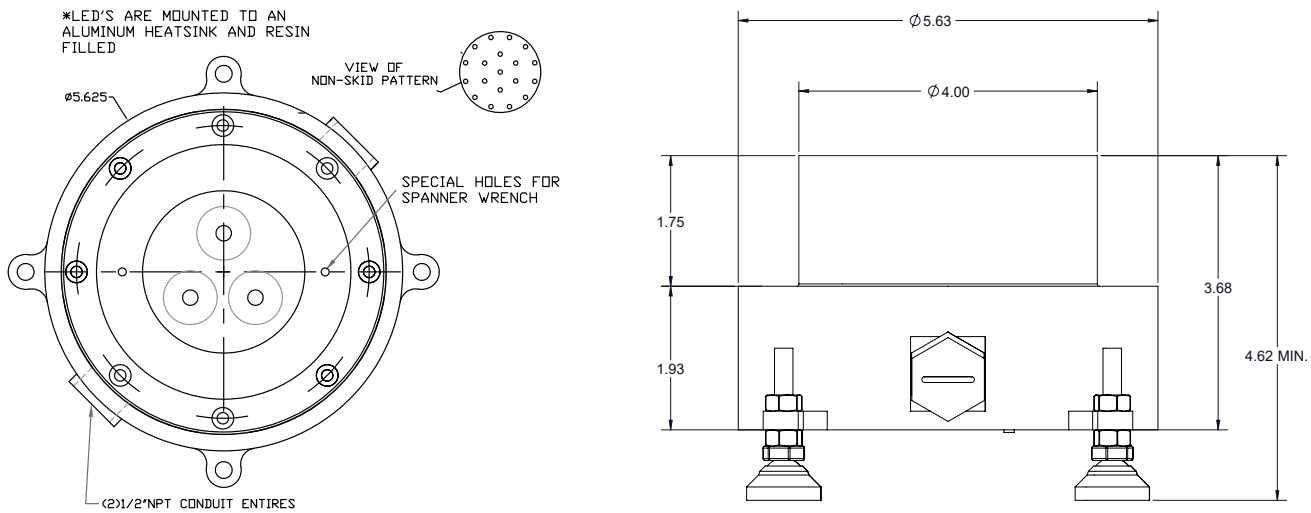
## SUGGESTED POWER SUPPLIES 24VDC

Part Number	Description	Input/Output	# of Fixtures	
			3W	9W
<a href="#">PPLT00128</a>	Non-Dim	120VAC to 24VDC, 6W, Class 2, IP65	1-1	—
<a href="#">PPLT00056</a>	Non-Dim	120-277VAC to 24VDC, 26W, Class 2, IP66	1-6	1-2
<a href="#">PPLT00155</a>	Non-Dim	120VAC to 24VDC, 30W, Class 2	1-8	1-2
<a href="#">PPLT00157</a>	Non-Dim	120VAC to 24VDC, 60W, Class 2	1-16	1-5
<a href="#">PPLT00158</a>	Non-Dim	120VAC to 24VDC, 100W, Class 2	1-26	1-8

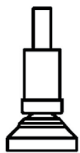
For other power supply options consult factory.

**NOTE: 0-10V DIMMING INTERFACE INCLUDED - to be wired separately**

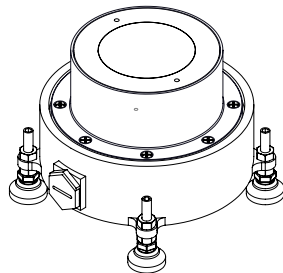
## FIXTURE DIMENSIONS



## ACCESSORIES - Installation



**LL301** - Optional  
Leveling Pad  
Set of 4



Job Name/Date:

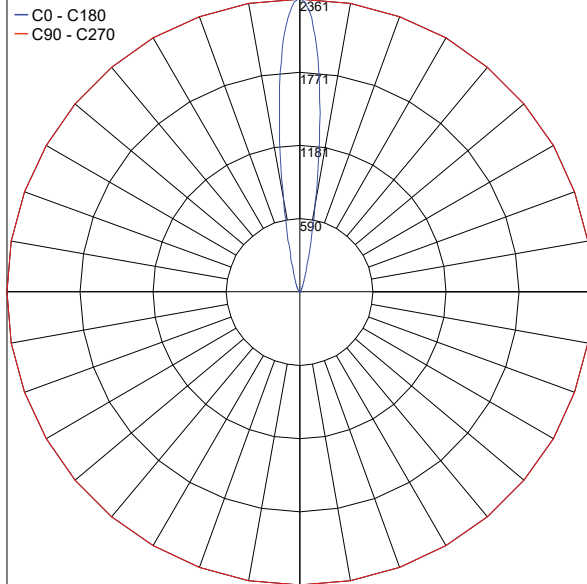
Fixture Type Designation:

## PHOTOMETRIC DATA

Note all Photometry is 3000K

### 6°

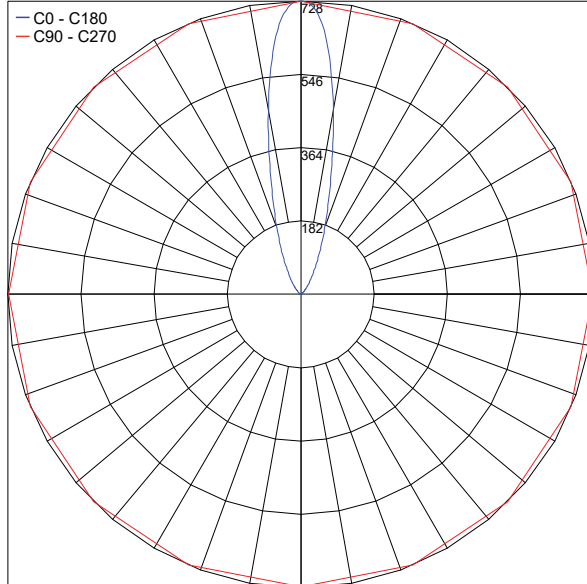
Maximum Candela = 2361



PHOTOMETRIC FILENAME : C4X-L9304SS1XTV0 9W 3000K 6°.IES

### 6°x25°

Maximum Candela = 727.9



PHOTOMETRIC FILENAME : C4X-L9304SS4XTV0 9W 3000K 6°x25°.IES

Job Name/Date:

Fixture Type Designation: