

CAR-GO is an extremely durable, IP67-rated, outdoor, in-grade fixture designed for floors and/or driveways. It is available in 4 different diameters with diffuse optics and driveover rated up to 4,400 lbs.



## TECHNICAL DATA

<b>Wattage</b>	3W, 5W, 8W, 12W
<b>Power Supply</b>	Remote 24VDC
<b>Construction</b>	Body: Extruded aluminum EN AW6026 Lens: Opal Glass Diffuser
<b>CCT</b>	3000K (other colors on request)
<b>BUG Rating</b>	B0-U1-G0
<b>CRI</b>	>90
<b>Delivered Lumens</b>	70 lm (CAR-GO 50) 155 lm (CAR-GO 80) 320 lm (CAR-GO 125) 490 lm (CAR-GO 200)
<b>Efficacy</b>	23 lm/W (CAR-GO 50) 31 lm/W (CAR-GO 80) 40 lm/W (CAR-GO 125) 41 lm/W (CAR-GO 200)
<b>Optics</b>	Diffuse
<b>Finishes</b>	Glass
<b>Fixture Dimensions</b>	Ø4.4" x 3.7" (CAR-GO 50) Ø4.4" x 3.7" (CAR-GO 80) Ø6.3" x 3.7" (CAR-GO 125) Ø9.1" x 3.7" (CAR-GO 200)
<b>Aperature</b>	Ø2.2" (CAR-GO 50) Ø3.4" (CAR-GO 80) Ø5.2" (CAR-GO 125) Ø8.1" (CAR-GO 200)
<b>Lumen Maintenance</b>	L70 >50,000hrs (Ta 40°C)
<b>Color Consistency</b>	3-Step MacAdam
<b>IP Rating</b>	IP67
<b>Impact Resistance</b>	IK10
<b>Driverover Rating</b>	Up to 4409 lbs



Fixture Dimensions - see page 2

## ORDERING INFORMATION

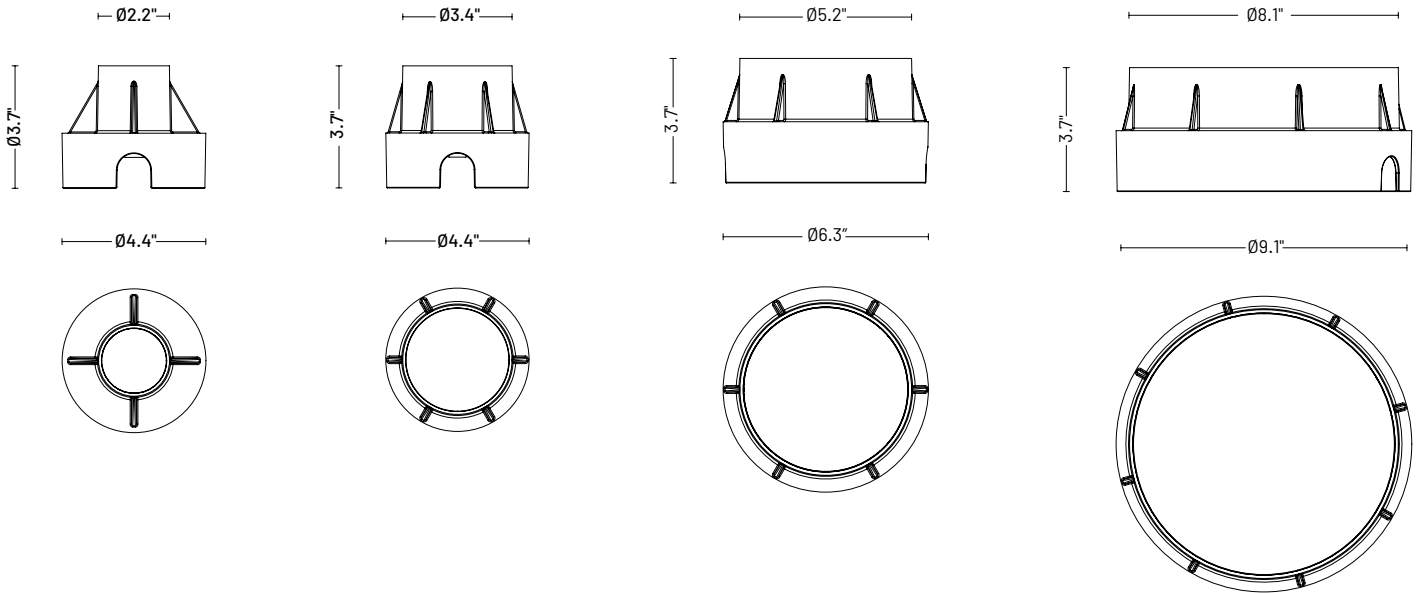
Example: LNCG60IPTDHB7ZU.US. Power Supplies / Accessories ordered separately.

<b>LNCG</b>		<b>D</b>	<b>HB7Z</b>	<b>U</b>	<b>US</b>
<b>Model No.</b>	<b>Size</b>	<b>Optics</b>	<b>Power</b>	<b>Finish</b>	
<b>LNCG</b>	<b>30 IPT - CAR-GO 50 (3W)</b> <b>50 IPT - CAR-GO 80 (5W)</b> <b>60 IPT - CAR-GO 125 (8W)</b> <b>80 IPT - CAR-GO 200 (12W)</b>	<b>D - Diffuse</b>	<b>HB7Z - Remote Driver</b>	<b>U - Glass</b>	<b>US</b>

Job Name/Date:

Fixture Type Designation:

## FIXTURE DIMENSIONS



## ACCESSORIES - Installation *(included)*

**HOUSING BOX** - *Included*

## ACCESSORIES - Optional

**0303003**  
Glass lifting suction pad

**00KCG.01**  
Recessed box  
adjusting kit

Job Name/Date:

Fixture Type Designation:

## SUGGESTED POWER SUPPLIES

24VDC

Part Number	Description	Input/Output	# of Fixtures			
			3W	5W	8W	12W
<a href="#">PPLT00149</a>	Non-Dim	120VAC to 24VDC, 10W, Class 2, IP65	1-2	1-1	1-1	—
<a href="#">PPLT00632</a>	0-10V Dimming (Dim to Off)	120-277VAC to 24VDC, 12W, Class 2	1-3	1-1	1-1	—
<a href="#">PPLT00155</a>	Non-Dim	120VAC to 24VDC, 30W, Class 2	1-8	1-4	1-3	1-2
<a href="#">PPLT00157</a>	Non-Dim	120VAC to 24VDC, 60W, Class 2	1-16	1-9	1-6	1-4
<a href="#">PPLT00599</a>	ELV / TRIAC & 0-10V Dimming (100 to 0%)	120-277VAC to 24VDC, 96W, Class 2	1-25	1-15	1-9	1-6
<a href="#">PPLT00158</a>	Non-Dim	120VAC to 24VDC, 100W, Class 2	1-26	1-16	1-10	1-6
<a href="#">PPLT00543</a>	0-10V Dimming to 15% (-40°C / -40°F cold weather start)	120-277VAC to 24VDC, 100W, Class 2	3-26	2-16	2-10	1-6

### Suggested Lutron Compatible - 3W (Car-Go 50)

Part Number	Option	Lutron SKU	Dim Range	Description	Input/Output	# of Fixtures
<a href="#">PPLT00273</a>	L3DAE / L3DA3W	L3DA	100%-1%	Hi-Lume™ 1% EcoSystem™ or 1% 3-Wire LED Driver	120-277VAC to 24VDC, 40W, Class 2	1-10

### Suggested Lutron Compatible - 5W (Car-Go 80)

Part Number	Option	Lutron SKU	Dim Range	Description	Input/Output	# of Fixtures
<a href="#">PPLT00273</a>	L3DAE / L3DA3W	L3DA	100%-1%	Hi-Lume™ 1% EcoSystem™ or 1% 3-Wire LED Driver	120-277VAC to 24VDC, 40W, Class 2	1-6

### Suggested Lutron Compatible - 8W (Car-Go 125)

Part Number	Option	Lutron SKU	Dim Range	Description	Input/Output	# of Fixtures
<a href="#">PPLT00273</a>	L3DAE / L3DA3W	L3DA	100%-1%	Hi-Lume™ 1% EcoSystem™ or 1% 3-Wire LED Driver	120-277VAC to 24VDC, 40W, Class 2	1-4

### Suggested Lutron Compatible - 12W (Car-Go 200)

Part Number	Option	Lutron SKU	Dim Range	Description	Input/Output	# of Fixtures
<a href="#">PPLT00273</a>	L3DAE / L3DA3W	L3DA	100%-1%	Hi-Lume™ 1% EcoSystem™ or 1% 3-Wire LED Driver	120-277VAC to 24VDC, 40W, Class 2	1-2

For other power supply options consult factory.

Job Name/Date:

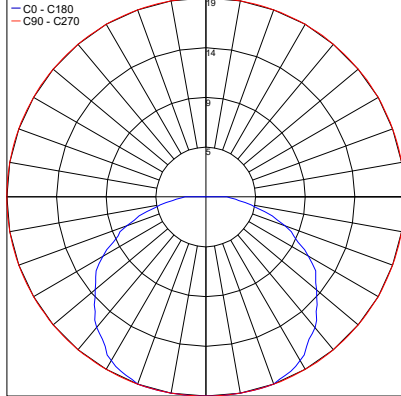
Fixture Type Designation:

## PHOTOMETRIC DATA

Note: All photometric data is 3000K

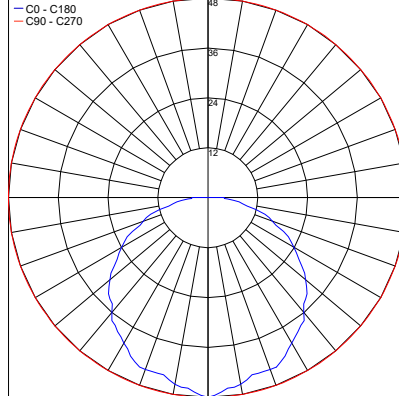
### CAR-GO 50

Maximum Candela = 19



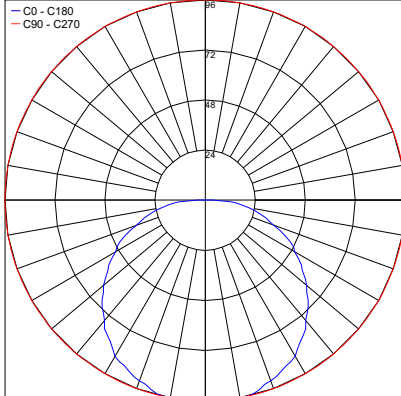
### CAR-GO 80

Maximum Candela = 48.0



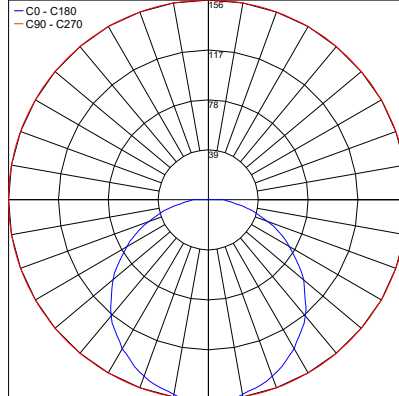
### CAR-GO 125

Maximum Candela = 96



### CAR-GO 200

Maximum Candela = 156.2



Job Name/Date:

Fixture Type Designation: