

CAR-GO is an extremely durable, IP67-rated, outdoor, in-grade fixture designed for floors and/or driveways. It is available in 4 different diameters with diffuse optics and driveover rated up to 4,400 lbs.



TECHNICAL DATA

Wattage	3W, 5W, 8W, 12W
Power Supply	Remote 24VDC
Construction	Body: Extruded aluminum EN AW6026 Lens: Opal Glass Diffuser
CCT	3000K (other colors on request)
BUG Rating	B0-U3-G0
CRI	>90
Delivered Lumens	70 lm (CAR-GO 50) 155 lm (CAR-GO 80) 320 lm (CAR-GO 125) 490 lm (CAR-GO 200)
Efficacy	23 lm/W (CAR-GO 50) 31 lm/W (CAR-GO 80) 40 lm/W (CAR-GO 125) 41 lm/W (CAR-GO 200)
Optics	Diffuse
Finishes	Glass
Fixture Dimensions	Ø4.4" x 3.7" (CAR-GO 50) Ø4.4" x 3.7" (CAR-GO 80) Ø6.3" x 3.7" (CAR-GO 125) Ø9.1" x 3.7" (CAR-GO 200)
Aperature	Ø2.2" (CAR-GO 50) Ø3.4" (CAR-GO 80) Ø5.2" (CAR-GO 125) Ø8.1" (CAR-GO 200)
Lumen Maintenance	L70 >50,000hrs (Ta 40°C)
Color Consistency	3-Step MacAdam
IP Rating	IP67
Impact Resistance	IK10
Driverover Rating	Up to 4409 lbs



Fixture Dimensions - see page 2

ORDERING INFORMATION

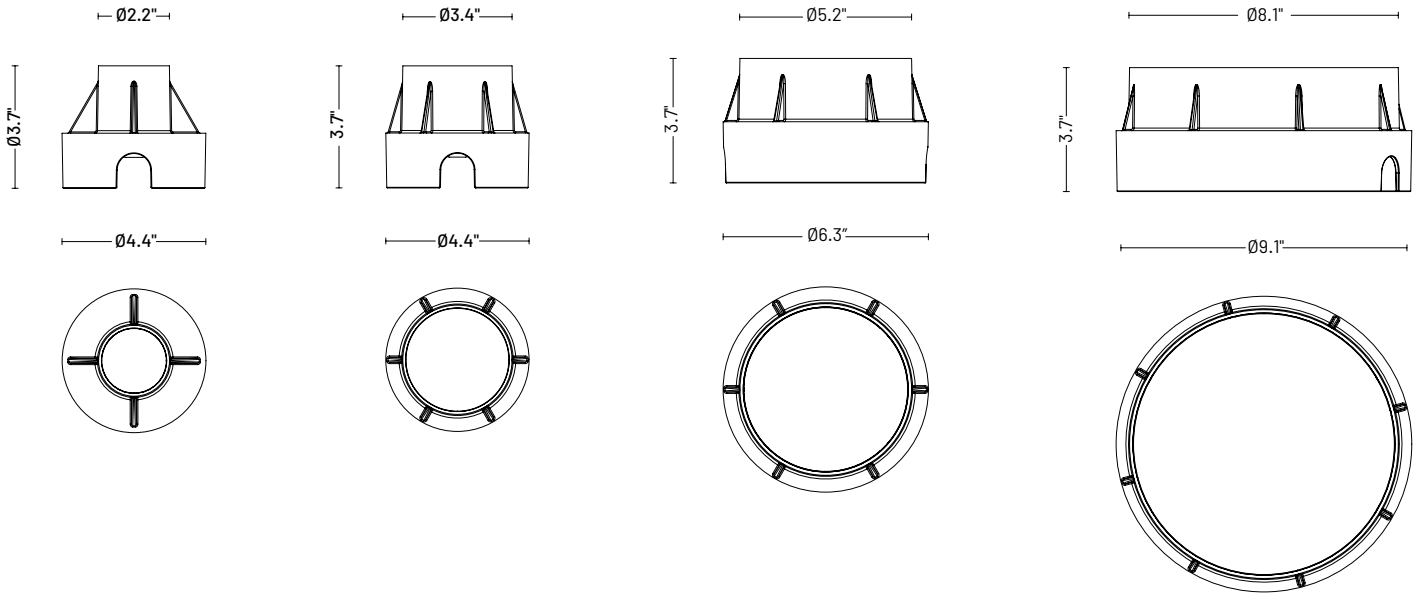
Example: LNCG60IPTDHB7ZU.US. Power Supplies / Accessories ordered separately.

LNCG		D	HB7Z	U	US
Model No.	Size	Optics	Power	Finish	
LNCG	30 IPT - CAR-GO 50 (3W) 50 IPT - CAR-GO 80 (5W) 60 IPT - CAR-GO 125 (8W) 80 IPT - CAR-GO 200 (12W)	D - Diffuse	HB7Z - Remote Driver	U - Glass	US

Job Name/Date:

Fixture Type Designation:

FIXTURE DIMENSIONS



ACCESSORIES - Installation (included)

HOUSING BOX - Included

ACCESSORIES - Optional

0303003
Glass lifting suction pad

00KCG.01
Recessed box
adjusting kit

Job Name/Date:

Fixture Type Designation:

SUGGESTED POWER SUPPLIES

24VDC

Part Number	Description	Input/Output	# of Fixtures			
			3W	5W	8W	12W
PPLT00149	Non-Dim	120VAC to 24VDC, 10W, Class 2, IP65	1-2	1-1	1-1	—
PPLT00632	0-10V Dimming (Dim to Off)	120-277VAC to 24VDC, 12W, Class 2	1-3	1-1	1-1	—
PPLT00155	Non-Dim	120VAC to 24VDC, 30W, Class 2	1-8	1-4	1-3	1-2
PPLT00586	Non-Dim	120-277VAC to 24VDC, 40W, Class 2	1-10	1-6	1-4	1-2
PPLT00709	ELV / TRIAC & 0-10V Dimming	120-277VAC to 24VDC, 96W, Class 2, DAMP	1-25	1-15	1-9	1-6
PPLT00543	0-10V Dimming to 15% (-40°C / -40°F cold weather start)	120-277VAC to 24VDC, 100W, Class 2	3-26	2-16	2-10	1-6

Suggested Lutron Compatible - 3W (Car-Go 50)

Part Number	Option	Lutron SKU	Dim Range	Description	Input/Output	# of Fixtures
PPLT00273	L3DAE / L3DA3W	L3DA	100%-1%	Hi-Lume™ 1% EcoSystem™ or 1% 3-Wire LED Driver	120-277VAC to 24VDC, 40W, Class 2	1-10
PPLT00530	L3D0	L3D0	100%-0.1%	Hi-Lume™ Premier 0.1% or Ecosystem 3-Wire LED Driver	120-277VAC to 24VDC, 96W, Class 2	1-25

Suggested Lutron Compatible - 5W (Car-Go 80)

Part Number	Option	Lutron SKU	Dim Range	Description	Input/Output	# of Fixtures
PPLT00273	L3DAE / L3DA3W	L3DA	100%-1%	Hi-Lume™ 1% EcoSystem™ or 1% 3-Wire LED Driver	120-277VAC to 24VDC, 40W, Class 2	1-6
PPLT00530	L3D0	L3D0	100%-0.1%	Hi-Lume™ Premier 0.1% or Ecosystem 3-Wire LED Driver	120-277VAC to 24VDC, 96W, Class 2	1-15

Suggested Lutron Compatible - 8W (Car-Go 125)

Part Number	Option	Lutron SKU	Dim Range	Description	Input/Output	# of Fixtures
PPLT00273	L3DAE / L3DA3W	L3DA	100%-1%	Hi-Lume™ 1% EcoSystem™ or 1% 3-Wire LED Driver	120-277VAC to 24VDC, 40W, Class 2	1-4
PPLT00530	L3D0	L3D0	100%-0.1%	Hi-Lume™ Premier 0.1% or Ecosystem 3-Wire LED Driver	120-277VAC to 24VDC, 96W, Class 2	1-9

Suggested Lutron Compatible - 12W (Car-Go 200)

Part Number	Option	Lutron SKU	Dim Range	Description	Input/Output	# of Fixtures
PPLT00273	L3DAE / L3DA3W	L3DA	100%-1%	Hi-Lume™ 1% EcoSystem™ or 1% 3-Wire LED Driver	120-277VAC to 24VDC, 40W, Class 2	1-2
PPLT00530	L3D0	L3D0	100%-0.1%	Hi-Lume™ Premier 0.1% or Ecosystem 3-Wire LED Driver	120-277VAC to 24VDC, 96W, Class 2	1-6

For other power supply options consult factory.

Job Name/Date:

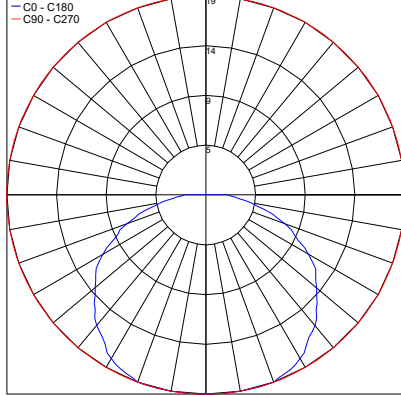
Fixture Type Designation:

PHOTOMETRIC DATA

Note: All photometric data is 3000K

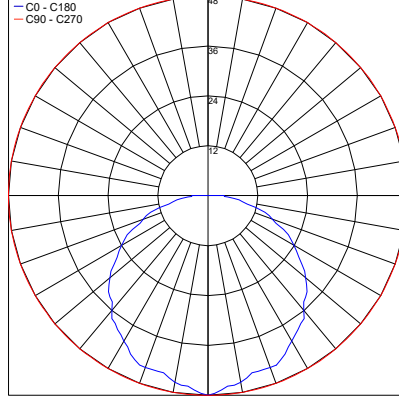
CAR-GO 50

Maximum Candela = 19



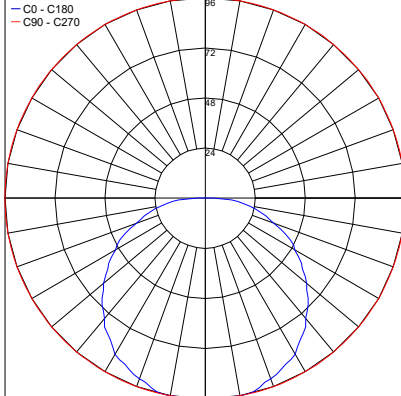
CAR-GO 80

Maximum Candela = 48.0



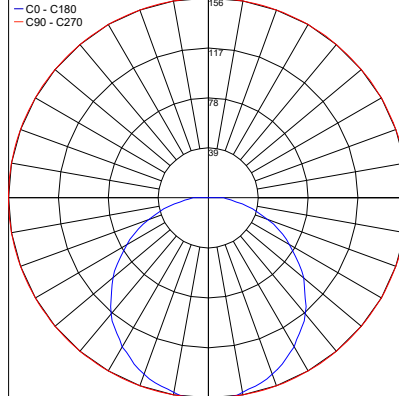
CAR-GO 125

Maximum Candela = 96



CAR-GO 200

Maximum Candela = 156.2



Job Name/Date:

Fixture Type Designation: