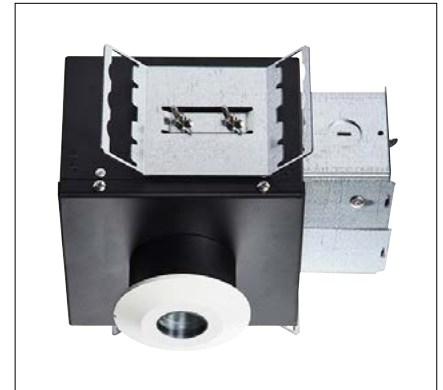


CDR DOWNLIGHT

The CDR downlight is a vandal resistant, IP65 wet label downlight suitable for steam rooms that is IC and Chicago Plenum rated. It is available in dim to warm with 2 optics options. B.A.B.A. Complaint.



MADE IN THE U.S.A.

Fixture Dimensions
(see drawing on page 2)

TECHNICAL DATA

Wattage / Input	Dim to Warm - 6W (350mA)
Power Supply	Remote, not included. See page 2.
Construction	Body: 20 Ga. Cold Rolled Steel (Powder Black Finish) Neck: Die Cast Aluminum Lens: 3/16" Thick Clear or Opal Polycarbonate
CCT	Dim to Warm (1800K-3000K)
CRI	90
Delivered Lumens	—
Efficacy	—
Optics	25°, 35°
Finishes	5 Standard, plus 4 Marine Grade. See Below.
Fixture Dimensions	Ø3.4" x 6.0 l x 5.7 h (see drawing on page 2)
Aperature	Ø1.3"
LED Source	BRIDGELUX COB (Static White & Dim to Warm)
IP Rating	IP65

ORDERING INFORMATION

Example: CDR-BABA-DW-25-4-MTS-C-RMT-0. Power Supplies ordered separately.

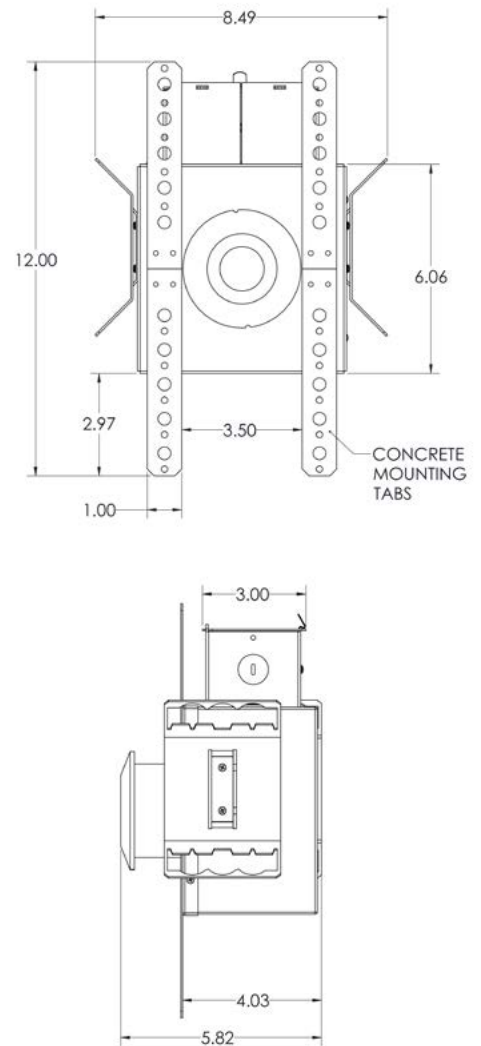
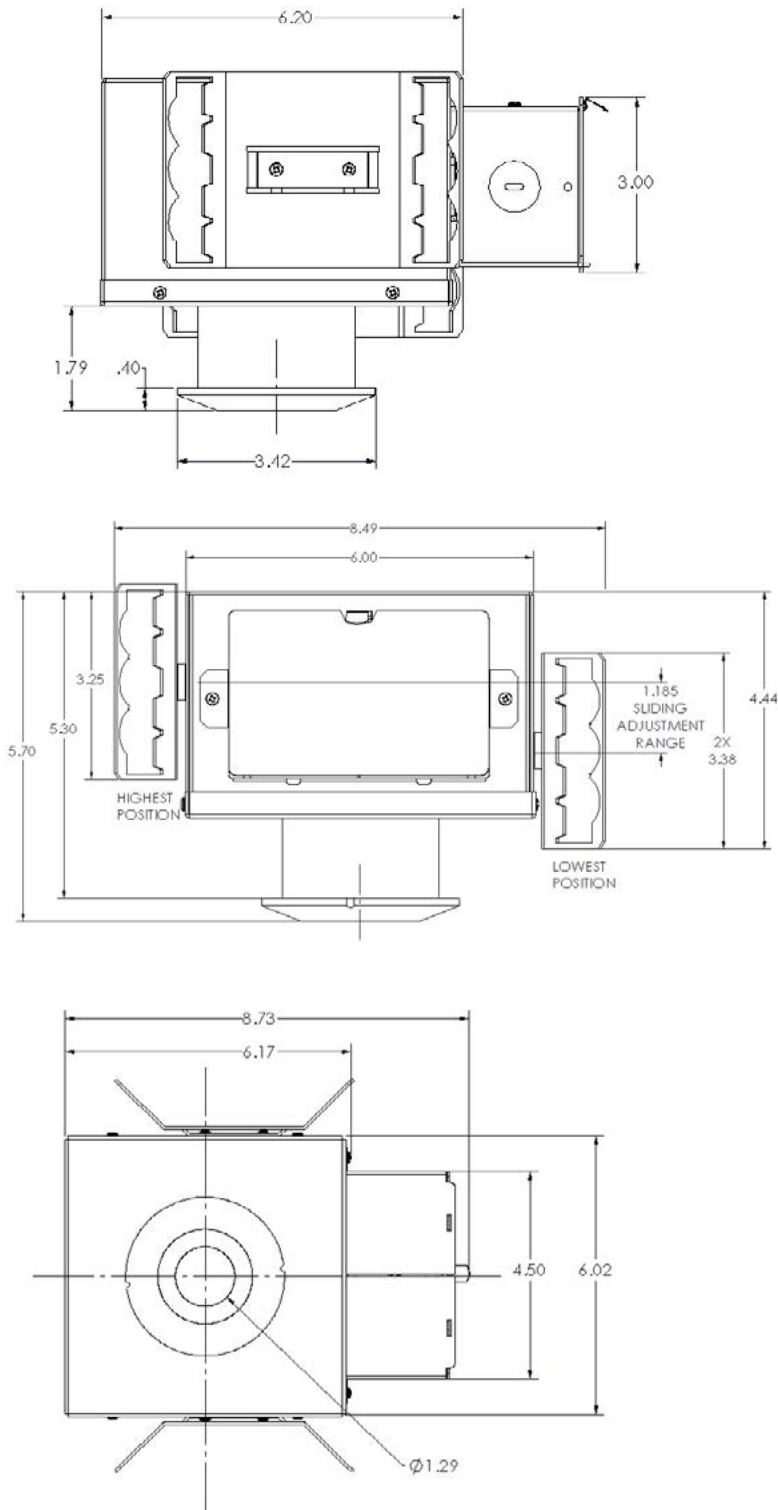
CDR-BABA	-	DW	-		-		-		-	RMT	-	
Model #	CCT	Optics	Body	Finish	Lens	Dimming	Options					
CDR-BABA	DW - Dim Warm	25 - 25° 35 - 35°	4 - Fully Recessed IC Rated C - Fully Recessed Chicago Plenum V - Concrete Pour	11 - White Suede 02 - Black Suede 18 - Tex. Bronze TS - Silver <i>Add prefix "M" to above colors for Marine Grade Clear Overcoat</i> PN - Polished Nickel <i>Marine Grade Clear Overcoat NOT available on Polished Nickel</i>	C - Clear X - Opal	RMT - Remote Required (See page 2 for power supply options)	0 - None 4 - One Circuit Fusing					

Job Name/Date:

Fixture Type Designation:

FIXTURE DIMENSIONS

CONCRETE POUR DRAWING



Job Name/Date:

Fixture Type Designation:

SUGGESTED POWER SUPPLIES

350mA

Part Number	Description	Input/Output	# of Fixtures
PPLT00496	Phase Dim (120V only)	120-277VAC to 350mA, 12W, Class 2, DAMP	1-1
PPLT00263	Leading / Trailing Edge Dimming to 10% (120V only)	120-277VAC to 350mA, 32W, Class 2	2-2
PPLT00214	0-10V Dimming to 10%	120-277VAC to 350mA, 30W, Class 2, IP66	3-4
PPLT00538-P	0-10V Dimming to 0.1% (4 channels)	120-277VAC to 350mA, 100W, Class 2	1-3 (1-12)

Suggested Lutron Compatible

Part Number	Option	Lutron SKU	Dim Range	Description	Input/Output	# of Fixtures
PPLT00247	L3DAE / L3DA3W	L3DA	100%-1%	Hi-Lume™ 1% EcoSystem™ or 1% 3-Wire LED Driver	120-277VAC to 350mA, 7W, Class 2	1-1
PPLT00516	L3DAE / L3DA3W	L3DA	100%-1%	Hi-Lume™ 1% EcoSystem™ or 1% 3-Wire LED Driver	120-277VAC to 350mA, 13W, Class 2	2-2

For other power supply options consult factory.

PHOTOMETRIC DATA

Coming Soon

Job Name/Date:

Fixture Type Designation: