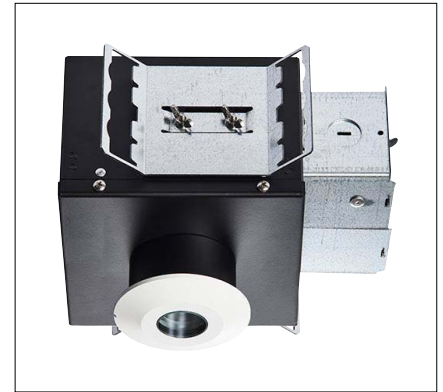


# CDR DOWNLIGHT

The CDR downlight is a vandal resistant, IP65 wet label downlight suitable for steam rooms that is IC and Chicago Plenum rated. It is available in dim to warm with 2 optics options.



**MADE IN THE U.S.A.**

Fixture Dimensions  
(see drawing on page 2)

## TECHNICAL DATA

<b>Wattage / Input</b>	Dim to Warm - 6W (350mA)
<b>Power Supply</b>	Remote, not included. See page 2.
<b>Construction</b>	Body: 20 Ga. Cold Rolled Steel (Powder Black Finish) Neck: Die Cast Aluminum Lens: 3/16" Thick Clear or Opal Polycarbonate
<b>CCT</b>	Dim to Warm (1800K-3000K)
<b>CRI</b>	90
<b>Delivered Lumens</b>	—
<b>Efficacy</b>	—
<b>Optics</b>	25°, 35°
<b>Finishes</b>	5 Standard, plus 4 Marine Grade. See Below.
<b>Fixture Dimensions</b>	Ø3.4" x 6.0 l x 5.7 h (see drawing on page 2)
<b>Aperature</b>	Ø1.3"
<b>LED Source</b>	BRIDGELUX COB (Static White & Dim to Warm)
<b>IP Rating</b>	IP65

## ORDERING INFORMATION

*Example: CDR-L26-DW-25-4-MTS-C-RMT-0. Power Supplies ordered separately.*

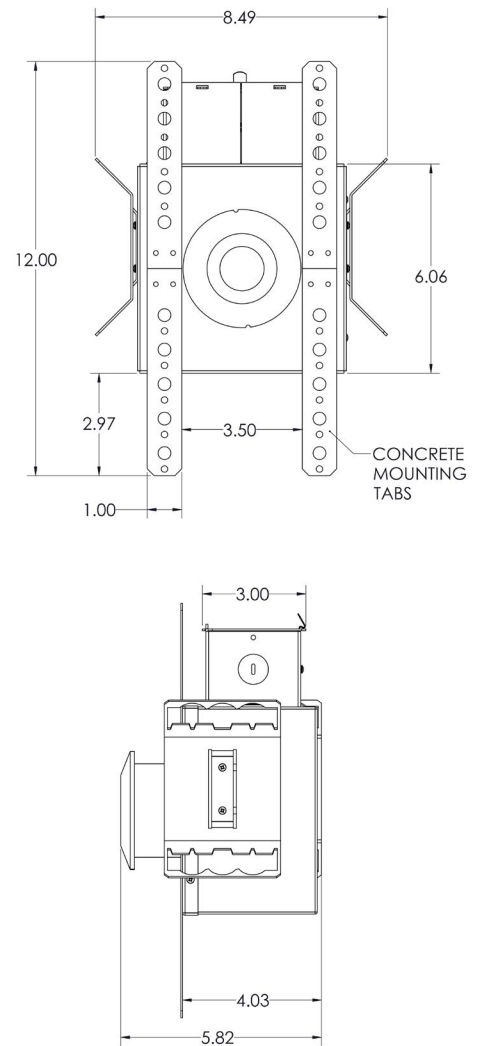
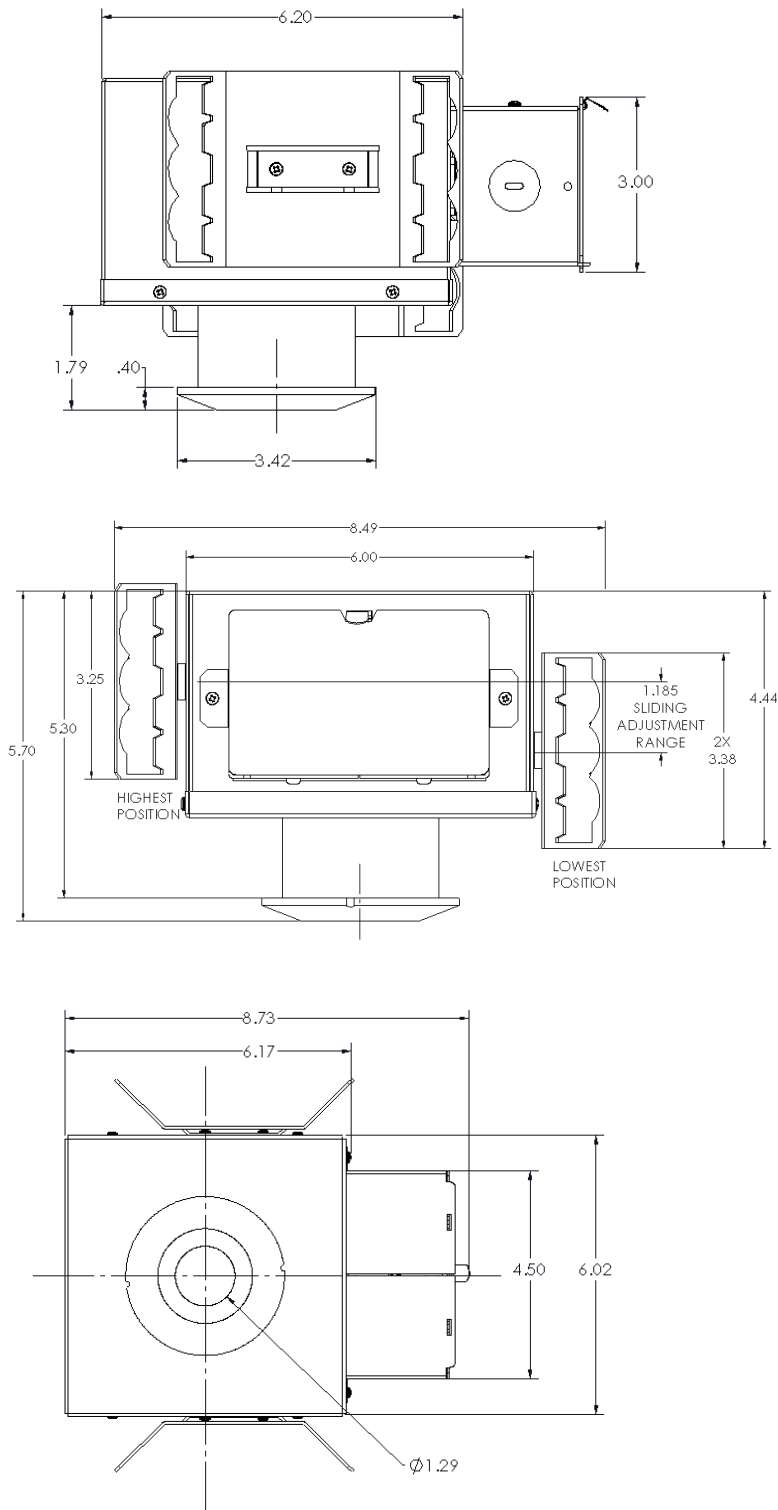
CDR-L26	-	DW	-		-		-		-	RMT	-	
Model #	CCT	Optics	Body	Finish	Lens	Dimming	Options					
CDR-L26	DW - Dim Warm	25 - 25° 35 - 35°	4 - Fully Recessed IC Rated C - Fully Recessed Chicago Plenum V - Concrete Pour	11 - White Suede 02 - Black Suede 18 - Tex. Bronze TS - Silver <i>Add prefix "M" to above colors for Marine Grade Clear Overcoat</i>  PN - Polished Nickel <i>Marine Grade Clear Overcoat NOT available on Polished Nickel</i>	C - Clear X - Opal	RMT - Remote Required  (See page 2 for power supply options)	0 - None 4 - One Circuit Fusing					

Job Name/Date:

Fixture Type Designation:

## FIXTURE DIMENSIONS

## CONCRETE POUR DRAWING



Job Name/Date:

Fixture Type Designation:

## SUGGESTED POWER SUPPLIES

350mA

Part Number	Description	Input/Output	# of Fixtures
<a href="#">PPLT00496</a>	Phase Dim (120V only)	120-277VAC to 350mA, 12W, Class 2, DAMP	1-1
<a href="#">PPLT00263</a>	Leading / Trailing Edge Dimming to 10% (120V only)	120-277VAC to 350mA, 32W, Class 2	2-2
<a href="#">PPLT00214</a>	0-10V Dimming to 10%	120-277VAC to 350mA, 30W, Class 2, IP66	3-4
<a href="#">PPLT00538-P</a>	0-10V Dimming to 0.1% (4 channels)	120-277VAC to 350mA, 100W, Class 2	1-3 (1-12)

## Suggested Lutron Compatible

Part Number	Option	Lutron SKU	Dim Range	Description	Input/Output	# of Fixtures
<a href="#">PPLT00247</a>	L3DAE / L3DA3W	L3DA	100%-1%	Hi-Lume™ 1% EcoSystem™ or 1% 3-Wire LED Driver	120-277VAC to 350mA, 7W, Class 2	1-1
<a href="#">PPLT00516</a>	L3DAE / L3DA3W	L3DA	100%-1%	Hi-Lume™ 1% EcoSystem™ or 1% 3-Wire LED Driver	120-277VAC to 350mA, 13W, Class 2	2-2

*For other power supply options consult factory.*

## PHOTOMETRIC DATA

*Coming Soon*

Job Name/Date:

Fixture Type Designation: