

CDX is a wet label in-grade upright with an integral driver that is suitable for power washing. It comes in 3 color temperatures and a stainless steel finish. It is driveover and walkover rated for up to 11,000 lbs. The static white driver is capable of 3 dimming protocols.



Fixture Dimensions  
 Ø5.75" x 5.25" h  
 See Full Drawing on page 2

## TECHNICAL DATA

<b>Wattage / Input</b>	12W (120-277VAC)
<b>Power Supply</b>	Integral (0-10V Dimming)
<b>Dimming</b>	0-10V, ELV, Triac Dimming on Static White
<b>Construction</b>	Body: Cast Stainless Steel 304 Alloy Lens: 0.4" Thick, Clear, Non-Skid or Frosted Tempered Glass Lens Frame: Threaded "Bottle Cap"
<b>CCT</b>	3000K, 3500K, 4000K
<b>CRI</b>	CRI>80
<b>Delivered Lumens</b>	981 lm (3500K)
<b>Efficacy</b>	54.5 lm/W
<b>Optics</b>	40° Reflector
<b>Finishes</b>	Stainless Steel
<b>Fixture Dimensions</b>	Ø5.75" x 5.25" h
<b>LED Source</b>	XICATO LED MODULE
<b>IP Rating</b>	IP68, IP69
<b>Driveover Rated</b>	11,000 lbs (30mph)

## ORDERING INFORMATION

Example: **CDX-L-EY-4-SS-1-L-Q-W**

CDX-L	-		-	4	-	SS	-	1	-	L	-		-	
-------	---	--	---	---	---	----	---	---	---	---	---	--	---	--

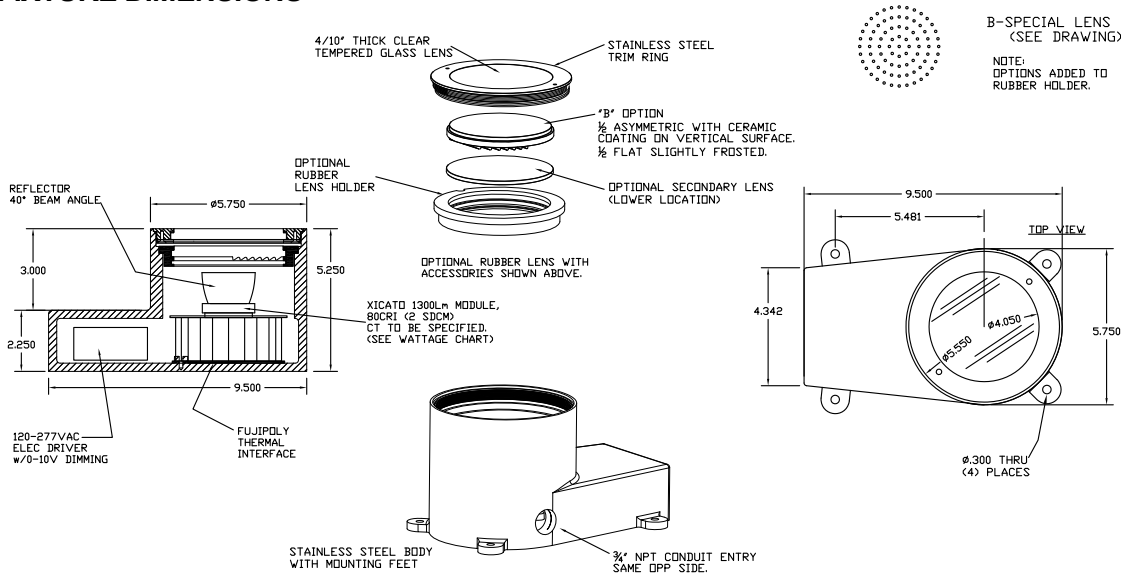
Model #	CCT	Body	Finish	Grill/Face	Driver	Glass Lens	Options
CDX-L	EX - 3000K EY - 3500K EZ - 4000K	4 - Fully Recessed	SS - Stainless Steel	1 - Standard	L - 120-277V with Integral 0-10V Dimming <i>Note: ELV and Triac 120V only</i>	T - Clear Tempered Q - Non-Skid Tempered G - Frosted Tempered	0 - None W - Linear Spread Q - Honeycomb Louver S - Solite Lens B - Special Lens (see drawing)

**Note: Rubber Holder required for any/all options**

Job Name/Date:

Fixture Type Designation:

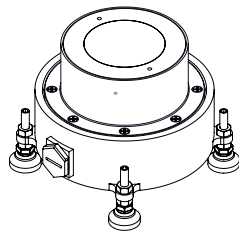
**FIXTURE DIMENSIONS**



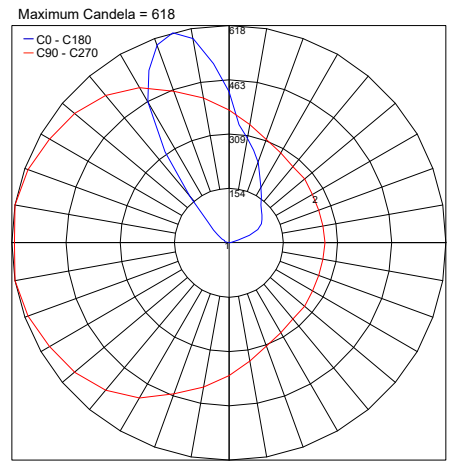
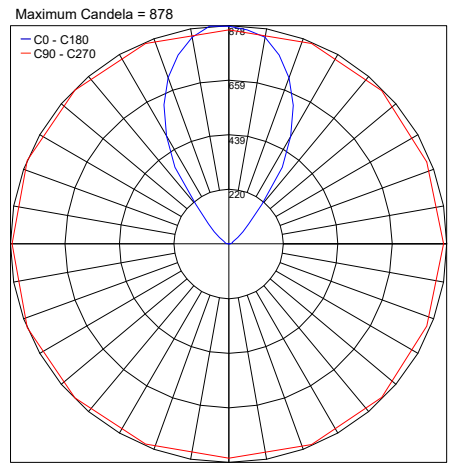
**ACCESSORIES - Installation**



**LL301 - Optional Leveling Pad**  
Set of 4



**PHOTOMETRIC DATA**  
Note all Photometry is 3500K



Job Name/Date:

Fixture Type Designation: