



- Cast stainless steel body 304 alloy
- 12W (120-277VAC)
- Integral (0-10V Dimming)
- Xicato LED Module
- Unique “bottle cap” threaded lens frame
- No screws to lose
- Lens frame turned from solid stainless steel 0.40” thick, Clear, Non-Skid, or Frosted Tempered Glass
- Walkover, Driveover rated for 11,000 lbs at 30 mph
- Unit can be through wired for daisy chaining
- Class I
- Available anti-slip dot pattern glass lens



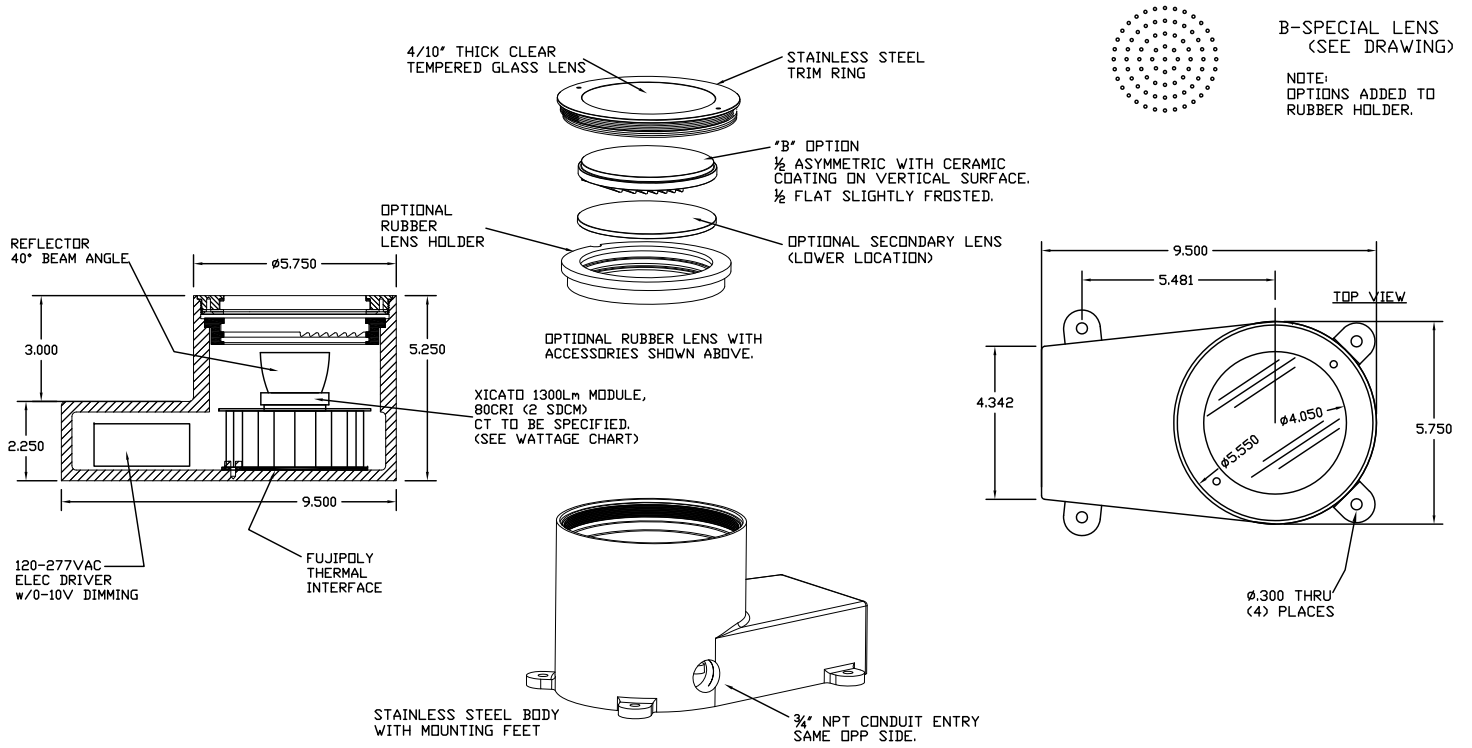
listed wet label IP68, IP69

CDX In-Ground Fixture

Flat Trim IP68

Drawings

CDX - LED



General Installation Instructions

11/2/07

FAILURE TO FOLLOW THESE INSTRUCTIONS WILL VOID WARRANTY

RISK OF ELECTRICAL SHOCK. THIS EQUIPMENT IS TO BE INSTALLED BY A QUALIFIED ELECTRICIAN ONLY. MAKE CERTAIN ELECTRICAL SUPPLY CIRCUIT IS DE-ENERGIZED BEFORE BEGINNING INSTALLATION. CHECK FIXTURE LABEL FOR CORRECT VOLTAGE. READ ALL INSTRUCTIONS CAREFULLY.

LOCATION

This model is designed for concrete pour installation. The upper edge of the housing must be flush with the prepared surface into which it is recessed. Do not install fixture in a manner that creates a pocket where water can sit on top of fixture.

Not suitable for use in places where the luminaire is likely to be exposed to a horizontal stress load caused by braking, acceleration or change of direction.

INSTALLATION

1. Lighting fixture comes fully assembled. Note: When not working on fixture replace trim ring for site safety and to protect fixture components from moisture and damage. Keep each trim ring with the original body it was supplied on. Note: Use care to protect O-ring on trim ring. Do not remove, loosen, cut, deform or otherwise disturb O-ring. Keep O-ring clean and dry.
2. Set fixture in desired location. Position the fixture in such a manner that the conduit/cable is not stressed at the entry point to the light fixture.
3. The foundation on which the luminaire is to be installed must correspond to the maximum permissible pressure load of the luminaire. Suitable drainage must also be provided. Level the body in two horizontal planes using the three leveling tabs around outer body. The upper edge of the housing must be flush with the prepared surface into which it is recessed. **UNDER NO CIRCUMSTANCES MAY IT BE LOWER!**
4. Unthread lens assembly from body with tool provided. Ensure that all internal surfaces of the fixture are kept completely dry during installation. Pry out the accessory gasket by using a screw driver. Carefully by hand remove reflector.
5. Connect incoming leads to quick disconnect plug. GREEN WIRE TO "GROUND", CONNECT BLACK FIXTURE TO BLACK BUILDING WIRE AND CONNECT WHITE FIXTURE WIRE TO WHITE BUILDING WIRE. Replace tray, lamp, and reflector. Make sure that no wires have been damaged.
6. If using conduit entries, the entries must be sealed with "Dap Heavy Duty Kwik Foam" (not provided). The foam should be sprayed from inside the fixture up into the conduit. Failure by the contractor to use the DAP product could cause a void in the warranty. Replace tray with lamping. If not using through wiring, plug second conduit entry with 3/4" conduit plug. Please make sure wet label requirements are met.
7. Install lamp and adjust if necessary. Tighten all screws to assure the lamp will not shift after aiming is acquired. Replace reflector and accessory gasket.
8. Place lens frame over fixture ensuring that there is no foreign matter between the lens frame and the body. **Start the lamp and bring luminaire to operating temperature (20 to 30min.), this will evaporate the moisture content of air to be trapped** Once operating temperature has been reached, carefully thread the trim assembly to body with tool provided.

