

CH2 is a round LED wall mounted fixture with a body in stainless steel and a hood that can be rotated 360°. It is available with white or colored light with a 10° optic and standard with linear spread lens optic for forward throw.

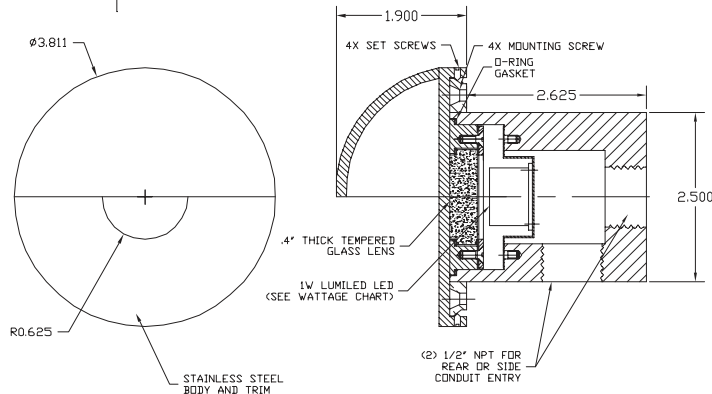


MADE IN THE U.S.A.
Complies with LM79 and LM80
ADA compliant

TECHNICAL DATA

Wattage / Input	1W (350mA)
Power Supply	Remote, not included. See page 2.
Construction	Body: Stainless Steel Lens: 0.40" Thick Clear Tempered Glass
CCT	3000K, 3500K, 4000K, 5000K, Green, Blue Red, Amber
Finishes	Stainless Steel
Fixture Dimensions	Ø3.81" x 1.90" w x 2.50" h
IP Rating	IP67
JA8	Exempt

Fixture Dimensions



ORDERING INFORMATION

Example: CH2-L-1P-V-SS-1-X-T-0 Power Supplies ordered separately.

CH2-L	-		-	V	-	SS	-	1	-	X	-	T	-	0
Model #	Wattage	Body	Finish	Grill	Driver	Lens	Options							
CH2-L	1P - 1W White 10° 2P - 1W Green 10° 4P - 1W Blue 10° 6P - 1W Red 10° 7P - 1W Amber 10°	V - Recessed w/ 2 Conduit Entry	SS - Stainless Steel	1 - Std.	X - 120VAC-VDC Remote Driver	T - Clear Tempered Glass	0 - None							

Job Name/Date:

Fixture Type Designation:

SUGGESTED POWER SUPPLIES

350mA

Part Number	Description	Input/Output	# of Fixtures
PPLT00138	0-10V Dimming to 10%	120-277VAC to 350mA, 4W, Class 2	2-3
PPLT00466-P	0-10V Dimming to 1.0%	120-277VAC to 350mA, 10W, Class 2	1-8
PPLT00468	Phase Dim (120V only)	120-277VAC to 350mA, 14W, Class 2	4-12
PPLT00308-P	0-10V Dimming to 0.1%	120-277VAC to 350mA, 30W, Class 2	1-16
PPLT00467-P	0-10V Dimming to 1.0%	120-277VAC to 350mA, 50W, Class 2	1-16
PPLT00538-P	0-10V Dimming to 0.1%	120-277VAC to 350mA, 100W, Class 2	1-68

Suggested Lutron Compatible Drivers

Part Number	Option	Lutron SKU	Dim Range	Description	Input/Output	# of Fixtures
PPLT00247	L3DAE / L3DA3W	L3DA	100%-1%	Hi-lume™ 1% EcoSystem™ or 3-Wire LED Driver	120-277VAC to 350mA, 7W	4-5
PPLT00516	L3DAE / L3DA3W	L3DA	100%-1%	Hi-lume™ 1% EcoSystem™ or 3-Wire LED Driver	120-277VAC to 350mA, 13W	6-11
PPLT00179	L3DAE / L3DA3W	L3DA	100%-1%	Hi-lume™ 1% EcoSystem™ or 3-Wire LED Driver	120-277VAC to 350mA, 19W	12-16

For other power supply options consult factory.

Job Name/Date:

Fixture Type Designation: