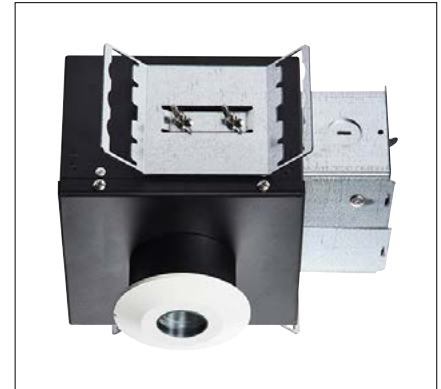


# CSR DOWNLIGHT

The CSR downlight is a vandal resistant, IP65 wet label downlight suitable for steam rooms that is IC and Chicago Plenum rated. It is available in static white with 2 optics options. B.A.B.A. Complaint.



**MADE IN THE U.S.A.**

Fixture Dimensions  
(see drawing on page 2)

## TECHNICAL DATA

<b>Wattage / Input</b>	Static White - 9W (350mA)
<b>Power Supply</b>	Remote, not included. See page 2.
<b>Construction</b>	Body: 20 Ga. Cold Rolled Steel (Powder Black Finish) Neck: Die Cast Aluminum Lens: 3/16" Thick Clear or Opal Polycarbonate
<b>CCT</b>	2700K, 3000K, 3500K, 4000K
<b>CRI</b>	90
<b>BUG Rating</b>	B1-U0-G0 (3000K, 25°)
<b>Delivered Lumens</b>	498 lm (3000K, 25°)
<b>Efficacy</b>	55.3 lm/W (3000K, 25°)
<b>Optics</b>	25°, 35°
<b>Finishes</b>	5 Standard, plus 4 Marine Grade. See Below.
<b>Fixture Dimensions</b>	Ø3.4" x 6.0 l x 5.7 h (see drawing on page 2)
<b>Aperature</b>	Ø1.3"
<b>LED Source</b>	BRIDGELUX COB (Static White & Dim to Warm)
<b>IP Rating</b>	IP65

## ORDERING INFORMATION

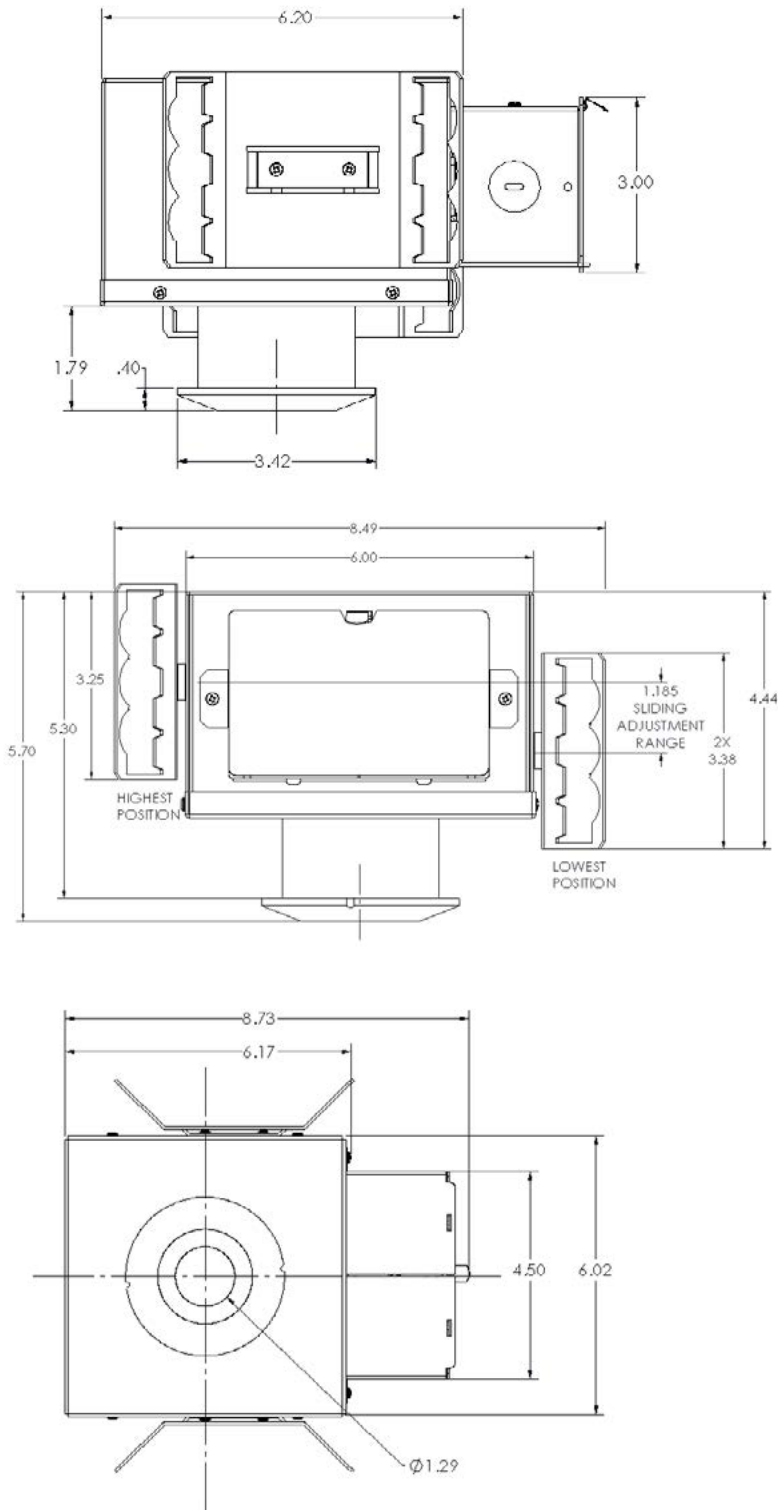
*Example: CSR-BABA-40-25-4-MTS-C-RMT-0. Power Supplies ordered separately.*

CSR-BABA	-		-		-		-	RMT	-	
Model #	CCT	Optics	Body	Finish	Lens	Dimming	Options			
CSR-BABA	27 - 2700K 30 - 3000K 35 - 3500K 40 - 4000K	25 - 25° 35 - 35°	4 - Fully Recessed IC Rated C - Fully Recessed Chicago Plenum V - Concrete Pour	11 - White Suede 02 - Black Suede 18 - Tex. Bronze TS - Silver <i>Add prefix "M" to above colors for Marine Grade Clear Overcoat</i>  PN - Polished Nickel <i>Marine Grade Clear Overcoat NOT available on Polished Nickel</i>	C - Clear X - Opal	RMT - Remote Required  (See page 2 for power supply options)	0 - None 4 - One Circuit Fusing			

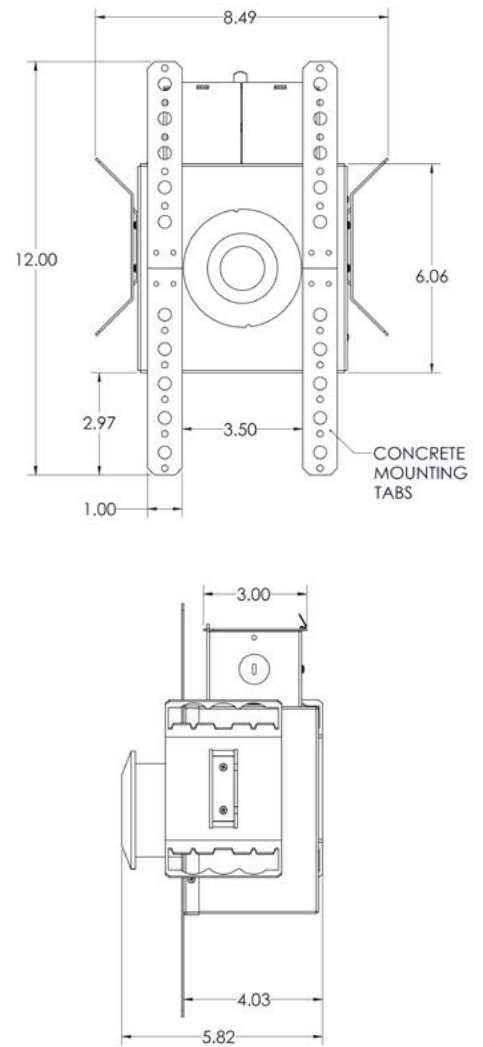
Job Name/Date:

Fixture Type Designation:

## FIXTURE DIMENSIONS



## CONCRETE POUR DRAWING



Job Name/Date:

Fixture Type Designation:

## SUGGESTED POWER SUPPLIES

350mA - Static White

Part Number	Description	Input/Output	# of Fixtures
<a href="#">PPLT00139</a>	0-10V Dimming to 10%	120-277VAC to 350mA, 12W, Class 2	1-1
<a href="#">PPLT00468</a>	Phase Dim (120V only)	120-277VAC to 350mA, 14W, Class 2	1-1
<a href="#">PPLT00263</a>	Leading / Trailing Edge Dimming to 10% (120V only)	120-277VAC to 350mA, 40W, Class 2	1-1

## Suggested Lutron Compatible

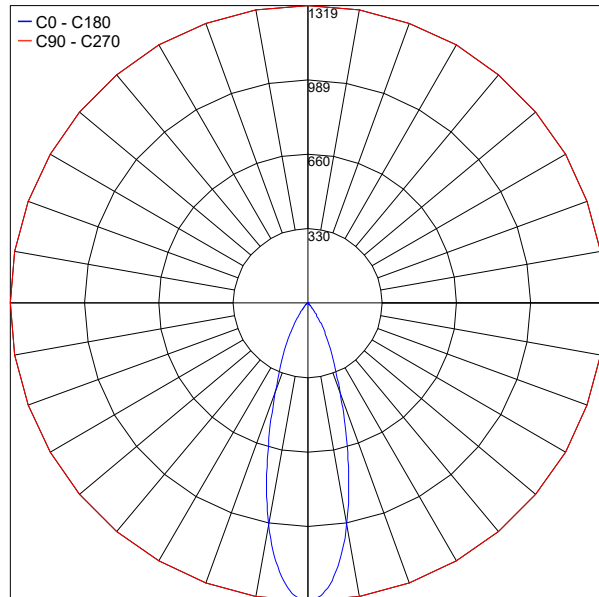
Part Number	Option	Lutron SKU	Dim Range	Description	Input/Output	# of Fixtures
<a href="#">PPLT00516</a>	L3DAE / L3DA3W	L3DA	100%-1%	Hi-Lume™ 1% EcoSystem™ or 1% 3-Wire LED Driver	120-277VAC to 350mA, 13W, Class 2	1-1

For other power supply options consult factory.

## PHOTOMETRIC DATA

Note: all photometry is 3000K

Maximum Candela = 1319



PHOTOMETRIC FILENAME : CSR-L26-30-25-4-11-C-RMT-0 (LLIA001745-001A).IES

Job Name/Date:

Fixture Type Designation: