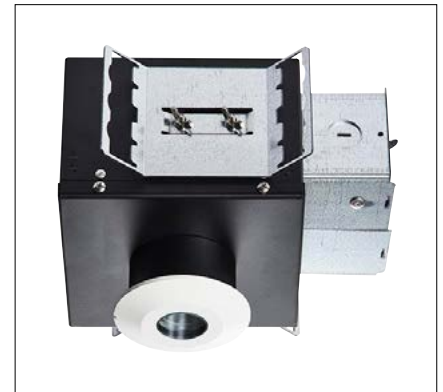


CTR DOWNLIGHT

The CTR downlight is a vandal resistant, IP65 wet label downlight suitable for steam rooms that is IC and Chicago Plenum rated. It is available in RGBW or tunable white with 2 optics options. B.A.B.A. Complaint.



MADE IN THE U.S.A.

Fixture Dimensions
(see drawing on page 2)

TECHNICAL DATA

Wattage / Input	RGBW w/ Integrated DMX - 5W (24VDC) Tunable White
Power Supply	Remote, not included. See page 2.
Construction	Body: 20 Ga. Cold Rolled Steel (Powder Black Finish) Neck: Die Cast Aluminum Lens: 3/16" Thick Clear or Opal Polycarbonate
CCT	RGBW, Tunable White (1650K - 8000K)
CRI	90
Delivered Lumens	—
Efficacy	—
Optics	25°, 35°
Finishes	5 Standard, plus 4 Marine Grade. See Below.
Fixture Dimensions	Ø3.4" x 6.0 l x 5.7 h (see drawing on page 2)
Aperature	Ø1.3"
LED Source	CREE LED (RGBW)
IP Rating	IP65

ORDERING INFORMATION

Example: CTR-BABA-RW-25-4-MTS-C-RMT-0. Power Supplies ordered separately.

CTR-BABA	-		-		-		-	RMT	-	
Model #	CCT	Optics	Body	Finish	Lens	Dimming	Options			
CTR-BABA	RW - RGBW+ Tunable White (1650K-8000K)	25 - 25° 35 - 35°	4 - Fully Recessed IC Rated C - Fully Recessed Chicago Plenum V - Concrete Pour	11 - White Suede 02 - Black Suede 18 - Tex. Bronze TS - Silver Add prefix "M" to above colors for Marine Grade Clear Overcoat PN - Polished Nickel Marine Grade Clear Overcoat NOT available on Polished Nickel	C - Clear X - Opal	RMT - Remote Required (See page 2 for power supply options)	0 - None 4 - One Circuit Fusing			

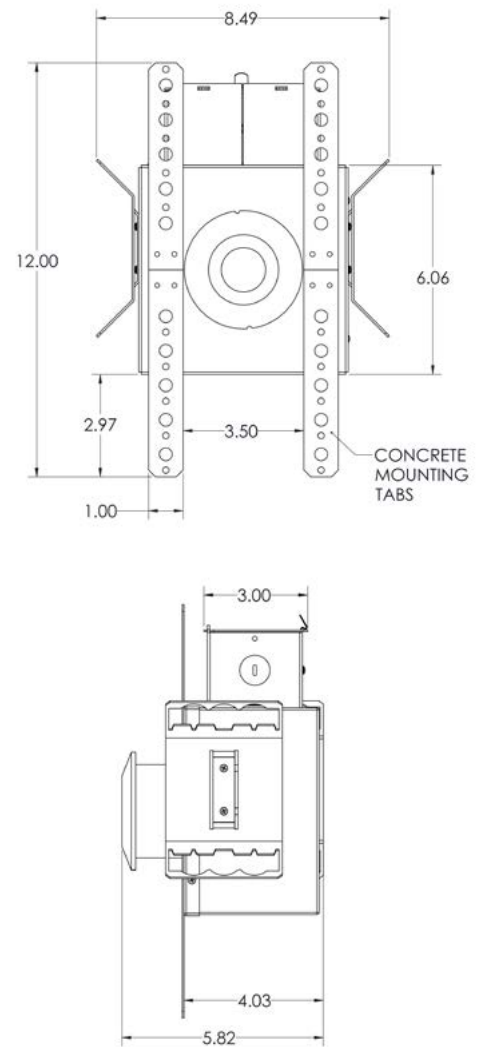
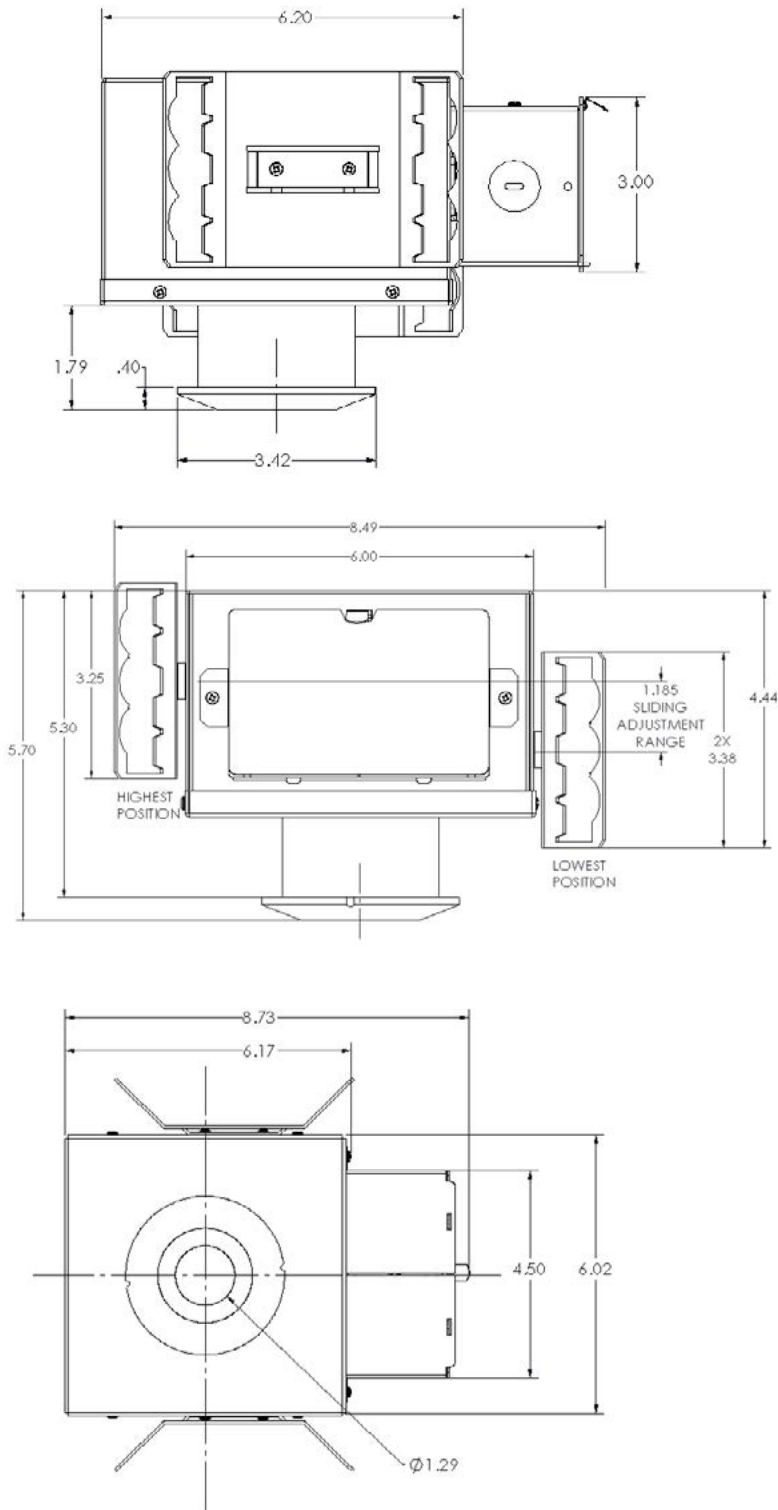
Job Name/Date:

Fixture Type Designation:

CTR DOWNLIGHT

FIXTURE DIMENSIONS

CONCRETE POUR DRAWING



Job Name/Date:

Fixture Type Designation:

SUGGESTED POWER SUPPLIES

24VDC

Part Number	Description	Input/Output	# of Fixtures
PPLT00632	0-10V Dimming (Dim to Off)	120-277VAC to 24VDC, 12W, Class 2	1-1
PPLT00056	Non-Dim	120-277VAC to 24VDC, 26W, Class 2, IP66	1-4
PPLT00599	ELV / TRIAC & 0-10V Dimming (100 to 0%)	120-277VAC to 24VDC, 96W, Class 2	1-15
PPLT00543	0-10V Dimming (to 15%) (-40°C / -40°F cold weather start)	120-277VAC to 24VDC, 100W, Class 2	1-16

For other power supply options consult factory.

PHOTOMETRIC DATA

Coming Soon

Job Name/Date:

Fixture Type Designation: