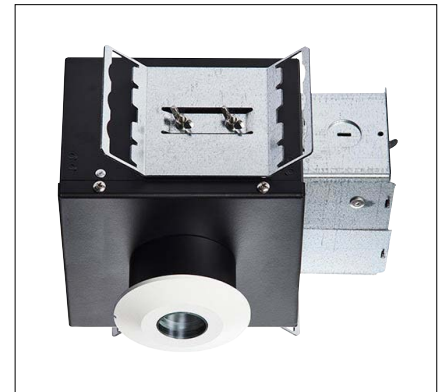


CTR DOWNLIGHT

The CTR downlight is a vandal resistant, IP65 wet label downlight suitable for steam rooms that is IC and Chicago Plenum rated. It is available in RGBW or tunable white with 2 optics options.



MADE IN THE U.S.A.

Fixture Dimensions
(see drawing on page 2)

TECHNICAL DATA

| | |
|---------------------------|--|
| Wattage / Input | RGBW w/ Integrated DMX - 5W (24VDC) Tunable White |
| Power Supply | Remote, not included. See page 2. |
| Construction | Body: 20 Ga. Cold Rolled Steel (Powder Black Finish) Neck: Die Cast Aluminum Lens: 3/16" Thick Clear or Opal Polycarbonate |
| CCT | RGBW, Tunable White (1650K - 8000K) |
| CRI | 90 |
| Delivered Lumens | — |
| Efficacy | — |
| Optics | 25°, 35° |
| Finishes | 5 Standard, plus 4 Marine Grade. See Below. |
| Fixture Dimensions | Ø3.4" x 6.0 l x 5.7 h (see drawing on page 2) |
| Aperature | Ø1.3" |
| LED Source | CREE LED (RGBW) |
| IP Rating | IP65 |

ORDERING INFORMATION

Example: CTR-L26-RW-25-4-MTS-C-RMT-0. Power Supplies ordered separately.

| CTR-L26 | - | | - | | - | | - | RMT | - | |
|---------|--|----------------------|---|---|-----------------------|--|------------------------------------|-----|---|--|
| Model # | CCT | Optics | Body | Finish | Lens | Dimming | Options | | | |
| CTR-L26 | RW - RGBW+ Tunable White (1650K-8000K) | 25 - 25° 35 - 35° | 4 - Fully Recessed IC Rated C - Fully Recessed Chicago Plenum V - Concrete Pour | 11 - White Suede 02 - Black Suede 18 - Tex. Bronze TS - Silver <i>Add prefix "M" to above colors for Marine Grade Clear Overcoat</i> PN - Polished Nickel <i>Marine Grade Clear Overcoat NOT available on Polished Nickel</i> | C - Clear X - Opal | RMT - Remote Required (See page 2 for power supply options) | 0 - None 4 - One Circuit Fusing | | | |

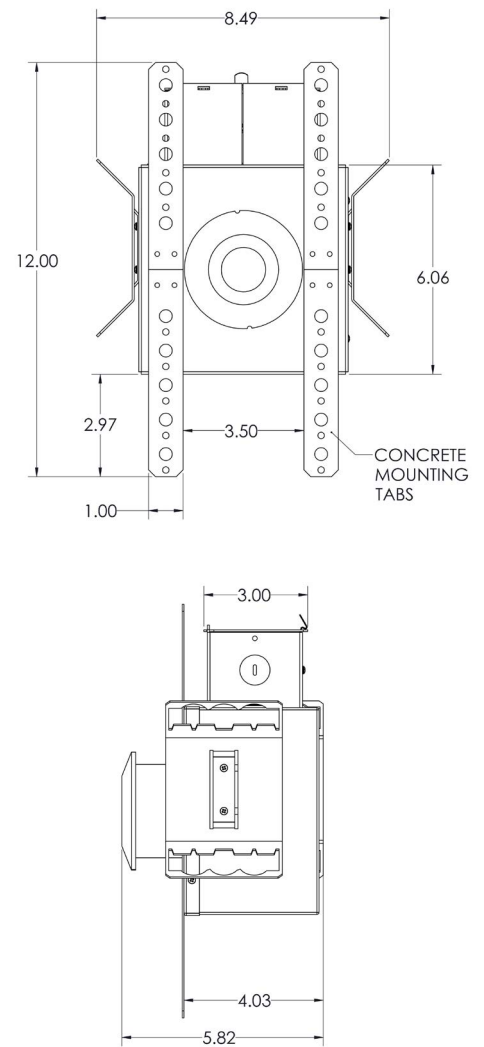
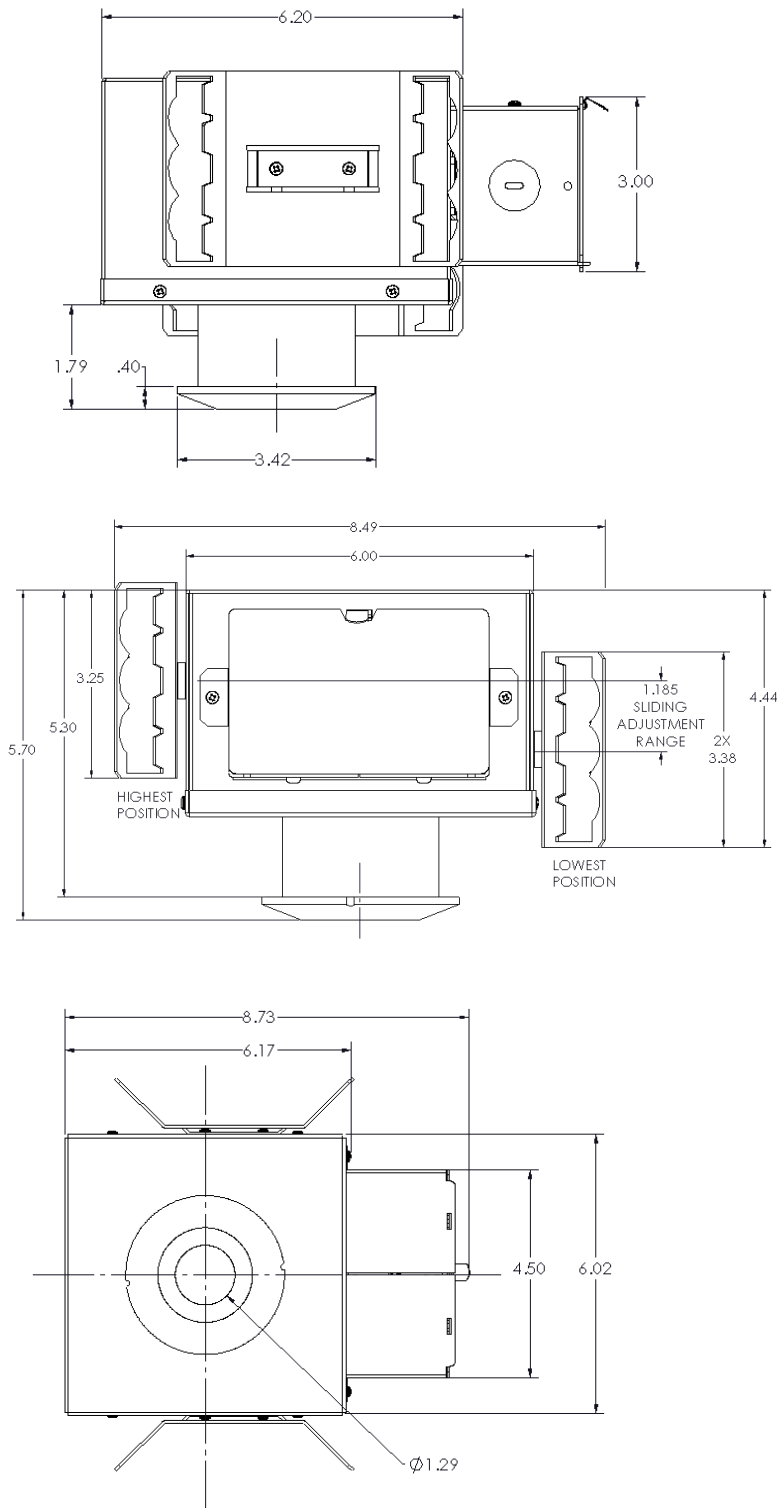
Job Name/Date:

Fixture Type Designation:

CTR DOWNLIGHT

FIXTURE DIMENSIONS

CONCRETE POUR DRAWING



Job Name/Date:

Fixture Type Designation:

SUGGESTED POWER SUPPLIES

24VDC

| Part Number | Description | Input/Output | # of Fixtures |
|---------------------------|---|---|---------------|
| PPLT00632 | 0-10V Dimming (Dim to Off) | 120-277VAC to 24VDC, 12W, Class 2 | 1-1 |
| PPLT00056 | Non-Dim | 120-277VAC to 24VDC, 26W, Class 2, IP66 | 1-4 |
| PPLT00599 | ELV / TRIAC & 0-10V Dimming (100 to 0%) | 120-277VAC to 24VDC, 96W, Class 2 | 1-15 |
| PPLT00543 | 0-10V Dimming (to 15%) (-40°C / -40°F cold weather start) | 120-277VAC to 24VDC, 100W, Class 2 | 1-16 |

For other power supply options consult factory.

PHOTOMETRIC DATA

Coming Soon

Job Name/Date:

Fixture Type Designation: