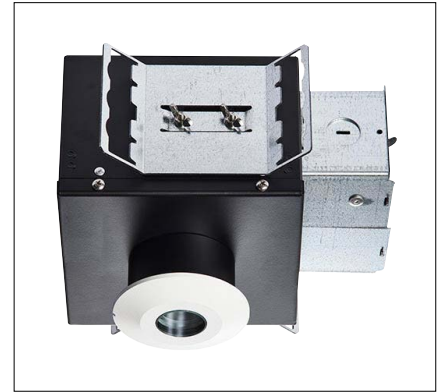


CTR DOWNLIGHT

The CTR downlight is a vandal resistant, IP65 wet label downlight suitable for steam rooms that is IC and Chicago Plenum rated. It is available in RGBW or tunable white with 2 optics options.



MADE IN THE U.S.A.

Fixture Dimensions
(see drawing on page 2)

TECHNICAL DATA

Wattage / Input	RGBW w/ Integrated DMX - 5W (24VDC) Tunable White - 6W (500mA)
Power Supply	Remote, not included. See page 3
Construction	Body: 20 Ga. Cold Rolled Steel (Powder Black Finish) Neck: Die Cast Aluminum Lens: 3/16" Thick Clear or Opal Polycarbonate
CCT	RGBW Tunable White (2700K - 5000K)
CRI	90
Delivered Lumens	—
Efficacy	—
Optics	25°, 35°
Finishes	5 Standard, plus 4 Marine Grade. See Below.
Fixture Dimensions	Ø3.4" x 6.0 l x 5.7 h (see drawing on page 2)
Aperature	Ø1.3"
LED Source	CREE LED (RGBW)
IP Rating	IP65

ORDERING INFORMATION

Example: **CTR-L26-RW-25-4-MTS-C-RMT-0**. Power Supplies ordered separately.

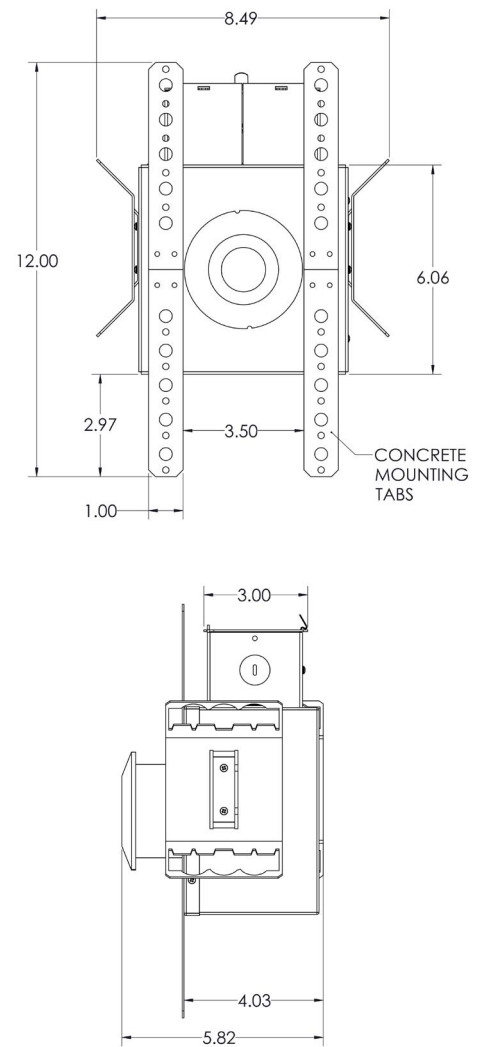
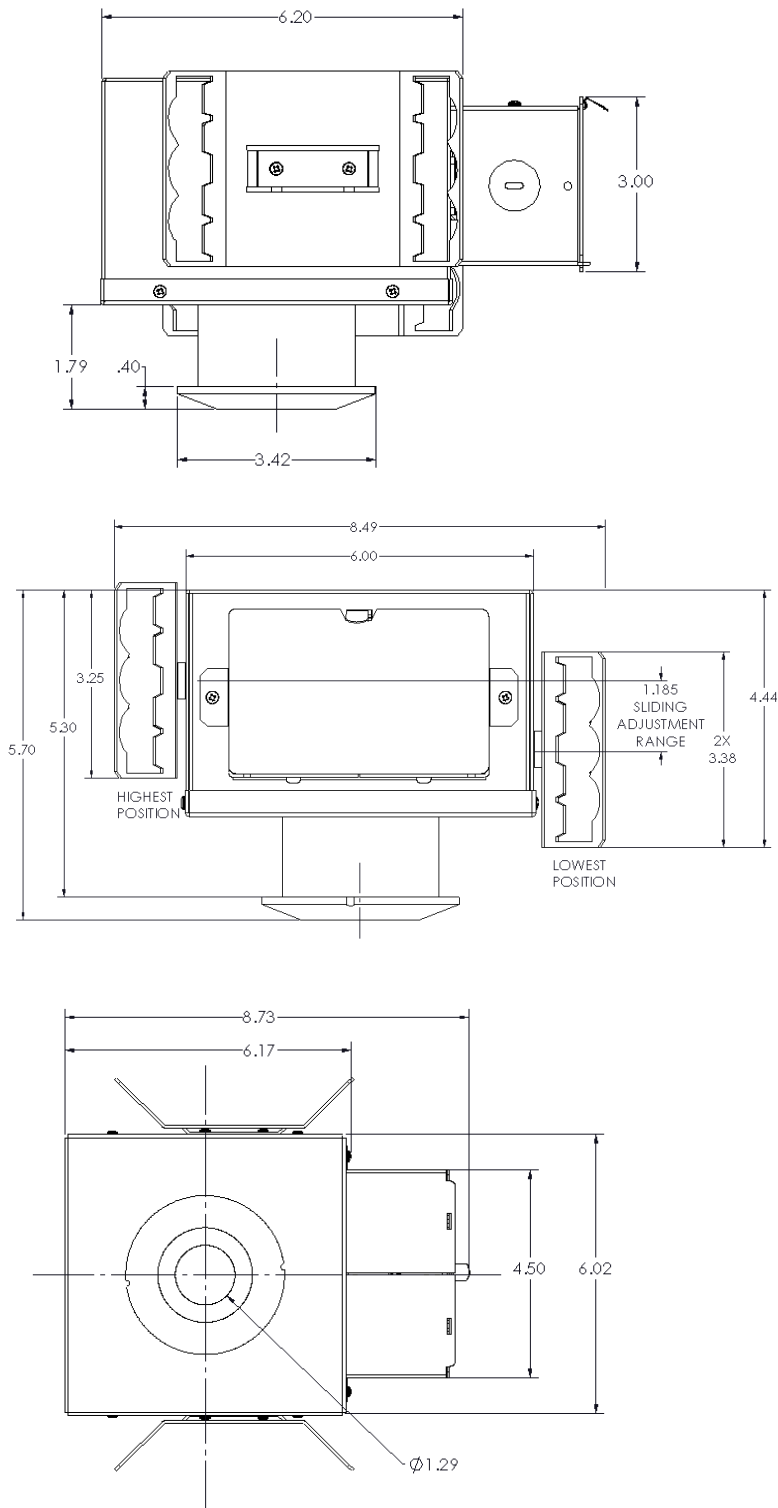
CTR-L26	-		-		-		-	RMT	-	
Model #	CCT	Optics	Body	Finish	Lens	Dimming	Options			
CTR-L26	RW - RGBW+ TW - Tunable White (2700K-5000K)	25 - 25° 35 - 35°	4 - Fully Recessed IC Rated C - Fully Recessed Chicago Plenum V - Concrete Pour	11 - White Suede 02 - Black Suede 18 - Tex. Bronze TS - Silver <i>Add prefix "M" to above colors for Marine Grade Clear Overcoat</i> PN - Polished Nickel <i>Marine Grade Clear Overcoat NOT available on Polished Nickel</i>	C - Clear X - Opal	RMT - Remote Required <i>(See page 2 for power supply options)</i>	0 - None 4 - One Circuit Fusing			

Job Name/Date:

Fixture Type Designation:

FIXTURE DIMENSIONS

CONCRETE POUR DRAWING



Job Name/Date:

Fixture Type Designation:

SUGGESTED POWER SUPPLIES

24VDC - For RGBW version

Part Number	Description	Input/Output	# of Fixtures
PPLT00284	Non-Dim	120-277VAC to 24VDC, 100W, Class 2, DAMP	1-16

SUGGESTED POWER SUPPLIES

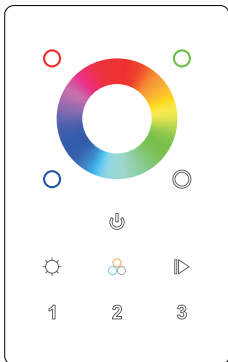
500mA - Tunable White

Part Number	Description	Input/Output	# of Fixtures
PPLT00548-P	0-10V Dimming to 0.1% (Dual Channel Tunable White)	120-277VAC to 500mA, 50W, Class 2	1-8

For other power supply options consult factory.

ACCESSORIES

Controllers (RGBW)



[PPWD00570](#) - RGBW DMX512+Wifi Controller

Touch Sensitive

Can be controlled by WiFi

Controls 3 zones synchronously and separately

PHOTOMETRIC DATA

Coming Soon

Job Name/Date:

Fixture Type Designation: