

CUL is a durable wet label in-grade uplight that is suitable for power washing. It comes in 2 versions - static white or RGBW + tunable white with a stainless steel finish. It is driveover and walkover rated for up to 11,000 lbs.

TECHNICAL DATA

Wattage / Input	17W, 22W (120-277VAC), 33W (1050mA) 25W (Tunable White + RGBW - DMX 120-277VAC)
Power Supply	Integral with Dimming Remote, not included (33W - 3000 lm only) See p. 2.
Construction	Body: Cast 316L Stainless Steel Lens: 0.4" Thick, Tempered Glass
CCT	2700K, 3000K, 3500K, 4000K, RGBW + Tunable White
CRI	>80, >90 (RGBW + Tunable White)
BUG Rating	B0-U5-G0
Delivered Lumens	1920 lm (3500K, 3000 lm LED module) 1173 lm (3000K)
Efficacy	58.1 lm/W (3500K, 3000 lm LED module) 46.9 lm/W (3000K)
Optics	25° (Clear Lens Only)
Finishes	Stainless Steel
Fixture Dimensions	Ø7.0" x 7.0" h
LED Source	XICATO LED Module, Araya LED Module
IP Rating	IP67, IP69
Driveover Rated	11,000 lbs (30 mph)



Fixture Dimensions
Ø7.0" x 7.0" h
See Full Drawing on page 2

ORDERING INFORMATION

Example: CUL-LEU4SS1LTQ.

CUL-L		4	SS1			
Model #	Wattage	Body	Finish	Driver	Lens	Options
CUL-L	FA - 17W, 1300 lm, 2700K EU - 22W, 2000 lm, 3000K EV - 22W, 2000 lm, 3500K EW - 22W, 2000 lm, 4000K EM - 33W, 3000 lm, 3000K EN - 33W, 3000 lm, 3500K EP - 33W, 3000 lm, 4000K	4 - Fully Recessed With Conduit Entries	SS1 - Stainless Steel Standard Grill	L - 120-277VAC Integral w/ 0-10V Dimming X - Remote Driver <i>Note: 2000 lm & lower are standard with "L" integral driver, 3000lm package is remote driver "X"</i>	T - Clear Tempered Glass Q - Anti-slip Patterned	0 - None Q - Honeycomb Louver R - Assymmetric Spread Note: Rubber Holder required for any/all options
Model #	CCT	Body	Finish	Driver	Lens	Options
CUL-L	RW - 25W, RGBW + Tunable White (1650K-8000K) + DMX	4 - Fully Recessed With Conduit Entries	SS1 - Stainless Steel Standard Grill	C - 120-277VAC <i>All luminaires come with DMX, 0-10V and Bluetooth (Commissioning Capabilities)</i>	T - Clear Tempered Glass (25°) Q - Anti-slip Patterned	0 - None Q - Honeycomb Louver R - Assymmetric Spread

Product Code:

Job Name/Date:

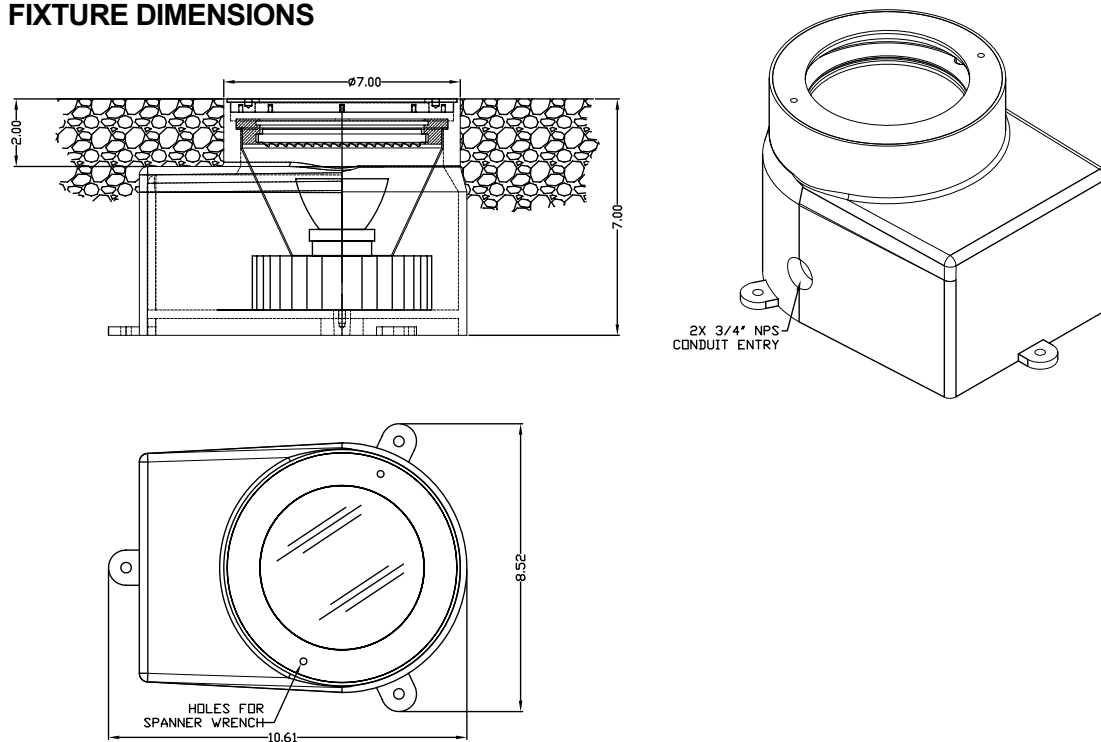
SUGGESTED POWER SUPPLIES for 33W - 3000 lm version

1050mA - 33W - 3000 lm XICATO only

Part Number	Description	Input/Output	# of Fixtures 33W
PPLT00480-P	0-10V Dimming to 1.0%	120-277VAC to 1050mA, 30W, Class 2	1-1
PPLT00190	0-10V Dimming to 10%	120-277VAC to 1050mA, 42W, Class 2	1-1
PPLT00309-P	0-10V Dimming to 0.1%	120-277VAC to 1050mA, 50W, Class 2	1-1

For other power supply options consult factory.

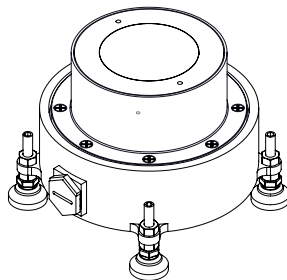
FIXTURE DIMENSIONS



ACCESSORIES - Installation



LL301 - Optional
Leveling Pad
Set of 4



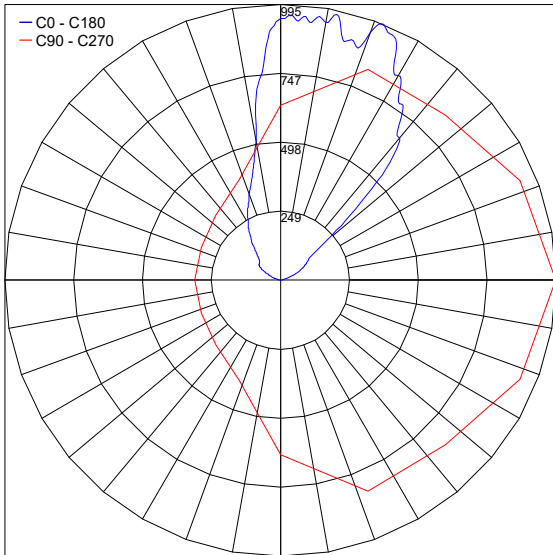
Product Code:

Job Name/Date:

PHOTOMETRIC DATA
Note all Photometry is 3500K

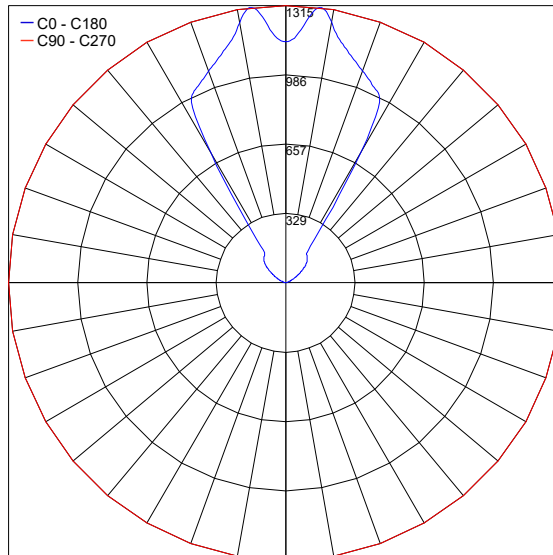
CUL-L

Maximum Candela = 995



PHOTOMETRIC FILENAME : CUL LED 2000LM 35K ASYM.IES

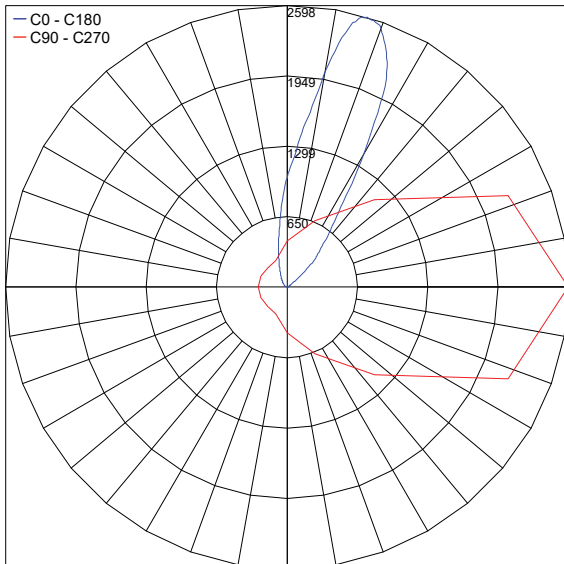
Maximum Candela = 1315



PHOTOMETRIC FILENAME : CUL LED 2000LM 35K FLOOD.IES

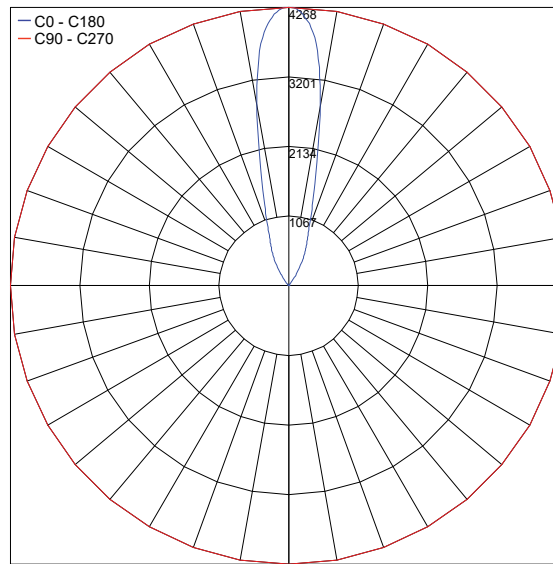
CUL-LRW (RGBW)

Maximum Candela = 2598



PHOTOMETRIC FILENAME : CUL-R-RW-4-SS-DMX-T-R ASYM 30K (LLIA1301-001).IES

Maximum Candela = 4268



PHOTOMETRIC FILENAME : CUL-R-RW-4-SS-DMX-T-0 30K (LLIA1301-002).IES

Product Code:

Job Name/Date: