

CUL is a durable wet label in-grade uplight that is suitable for power washing. It comes in 2 versions - static white or RGBW + tunable white with a stainless steel finish. It is driveover and walkover rated for up to 11,000 lbs.

## TECHNICAL DATA

<b>Wattage / Input</b>	17W, 22W (120-277VAC), 33W (1050mA) 25W (Tunable White + RGBW - DMX 120-277VAC)
<b>Power Supply</b>	Integral with Dimming Remote, not included (33W - 3000 lm only) See p. 2.
<b>Construction</b>	Body: Cast 316L Stainless Steel Lens: 0.4" Thick, Tempered Glass
<b>CCT</b>	2700K, 3000K, 3500K, 4000K, RGBW + Tunable White
<b>CRI</b>	>80, >90 (RGBW + Tunable White)
<b>BUG Rating</b>	B0-U5-G0
<b>Delivered Lumens</b>	1920 lm (3500K, 3000 lm LED module) 1173 lm (3000K)
<b>Efficacy</b>	58.1 lm/W (3500K, 3000 lm LED module) 46.9 lm/W (3000K)
<b>Optics</b>	25° (Clear Lens Only)
<b>Finishes</b>	Stainless Steel
<b>Fixture Dimensions</b>	Ø7.0" x 7.0" h
<b>LED Source</b>	XICATO LED Module, Araya LED Module
<b>IP Rating</b>	IP67, IP69
<b>Driveover Rated</b>	11,000 lbs (30 mph)



Fixture Dimensions  
Ø7.0" x 7.0" h  
See Full Drawing on page 2

## ORDERING INFORMATION

Example: CUL-LEU4SS1LTH. Accessories / Power Supplies sold separately.

CUL-L		4	SS1			
Model #	Wattage	Body	Finish	Driver	Lens	Options
CUL-L	FA - 17W, 1300 lm, 2700K EU - 22W, 2000 lm, 3000K EV - 22W, 2000 lm, 3500K EW - 22W, 2000 lm, 4000K EM - 33W, 3000 lm, 3000K EN - 33W, 3000 lm, 3500K EP - 33W, 3000 lm, 4000K	4 - Fully Recessed With Conduit Entries	SS1 - Stainless Steel Standard Grill	L - 120-277VAC Integral w/ 0-10V Dimming  X - Remote Driver  <i>Note: 2000 lm &amp; lower are standard with "L" integral driver, 3000lm package is remote driver "X"</i>	T - Clear Tempered Glass  Q - Clear Tempered Glass w/ Non-Skid Pattern	0 - None H - Honeycomb Louver  R - Assymetric Spread  <i>Note: Rubber Lens Holder PP600167 included w/ options</i>
Model #	CCT	Body	Finish	Driver	Lens	Options
CUL-L	RW - 25W, RGBW + Tunable White (1650K-8000K) + DMX	4 - Fully Recessed With Conduit Entries	SS1 - Stainless Steel Standard Grill	C - 120-277VAC  <i>All luminaires come with DMX, 0-10V and Bluetooth (Commissioning Capabilities)</i>	T - Clear Tempered Glass (25°)  Q - Clear Tempered Glass w/ Non-Skid Pattern	0 - None H - Honeycomb Louver  R - Assymetric Spread

Product Code:

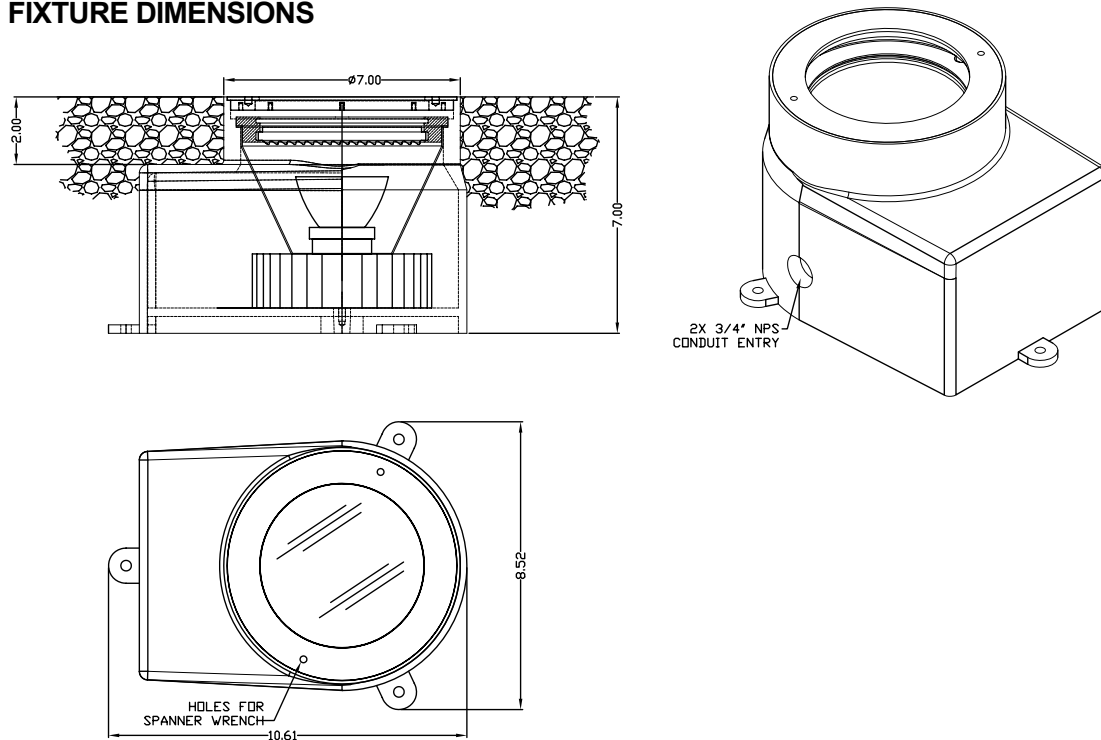
Job Name/Date:

**SUGGESTED POWER SUPPLIES for 33W - 3000 lm version**  
 1050mA - 33W - 3000 lm XICATO only

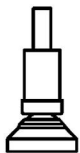
Part Number	Description	Input/Output	# of Fixtures 33W
<a href="#">PPLT00480-P</a>	0-10V Dimming to 1.0%	120-277VAC to 1050mA, 30W, Class 2	1-1
<a href="#">PPLT00190</a>	0-10V Dimming to 10%	120-277VAC to 1050mA, 42W, Class 2	1-1
<a href="#">PPLT00309-P</a>	0-10V Dimming to 0.1%	120-277VAC to 1050mA, 50W, Class 2	1-1

For other power supply options consult factory.

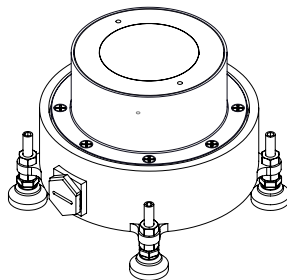
**FIXTURE DIMENSIONS**



**ACCESSORIES - Installation**



**LL301** - Optional  
 Leveling Pad  
 Set of 3



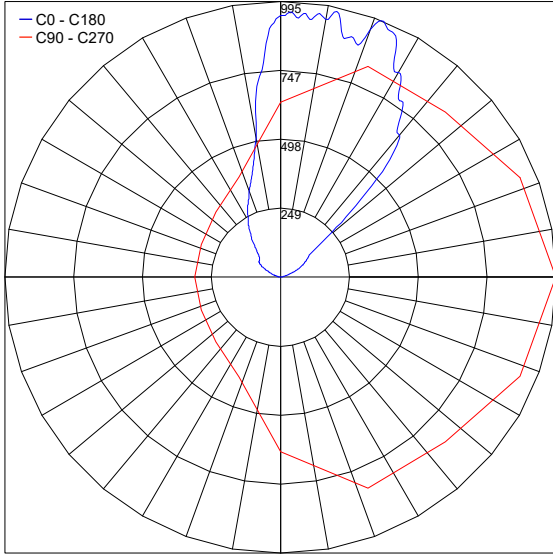
Product Code:

Job Name/Date:

**PHOTOMETRIC DATA**  
 Note all Photometry is 3500K

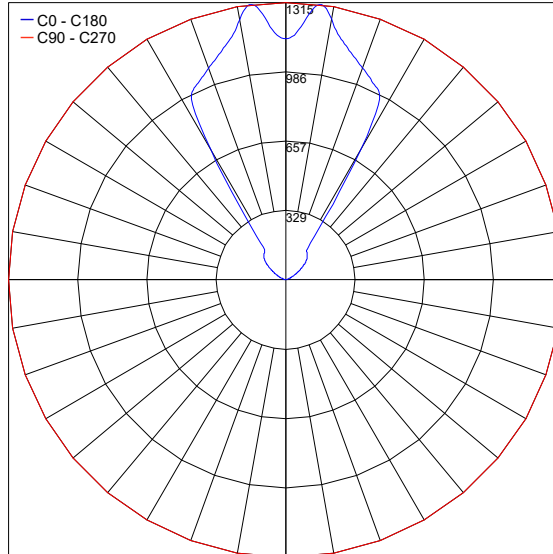
**CUL-L**

Maximum Candela = 995



PHOTOMETRIC FILENAME : CUL LED 2000LM 35K ASYM.IES

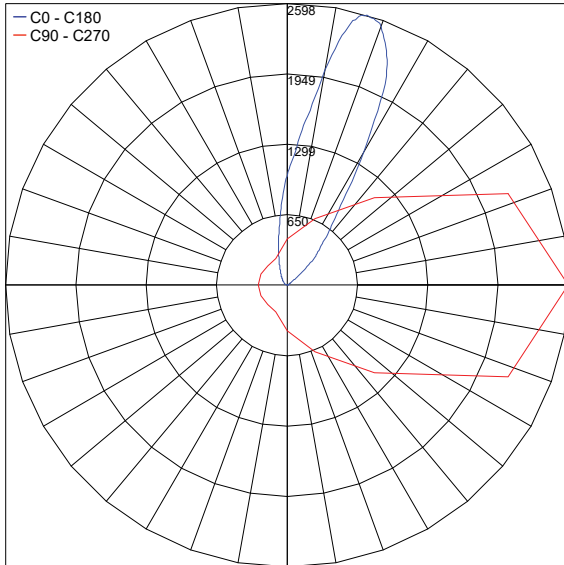
Maximum Candela = 1315



PHOTOMETRIC FILENAME : CUL LED 2000LM 35K FLOOD.IES

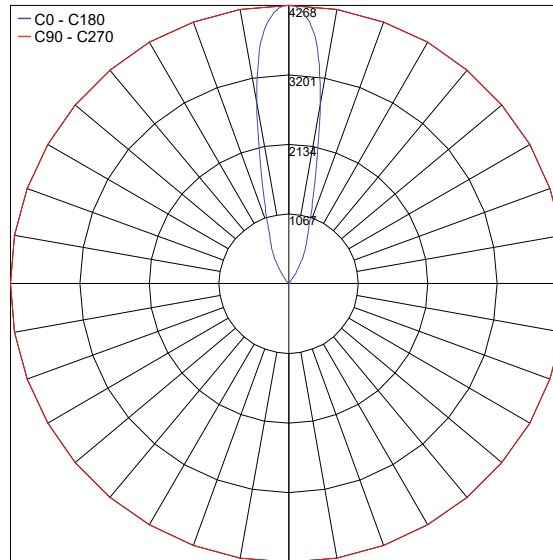
**CUL-LRW (RGBW)**

Maximum Candela = 2598



PHOTOMETRIC FILENAME : CUL-R-RW-4-SS-DMX-T-R ASYM 30K (LLIA1301-001).IES

Maximum Candela = 4268



PHOTOMETRIC FILENAME : CUL-R-RW-4-SS-DMX-T-0 30K (LLIA1301-002).IES

Product Code:

Job Name/Date: