

CXA is a wet label, adjustable version of the in-grade uplight CDX with an integral driver that is suitable for power washing. It is adjustable +/- 10° (total 20°) and is rotatable 120° front and back. It comes in 4 CCTs or RGBW + tunable white with a stainless steel finish. The static white driver is capable of 3 dimming protocols.



Fixture Dimensions

Ø5.75" x 5.25" h

See Full Drawing on page 2

TECHNICAL DATA

Wattage / Input	10W (Static White - 120-277VAC) 12W (RGBW+Tunable White - 120-277VAC)
Power Supply	Integral (0-10V, ELV, Triac Dimming on Static White)
Construction	Body: Cast Stainless Steel 304 Alloy Lens: 0.4" Thick, Clear, Non-Skid or Frosted Tempered Glass Lens Frame: Threaded "Bottle Cap"
CCT	2700K, 3000K, 3500K, 4000K
CRI	>80
Initial Lumens	1334 lm (3000K - Static White) 750 lm (3000K - RGBW+Tunable White)
Efficacy	133.4 lm/W (3000K - Static White) 62.5 lm/W (3000K - RGBW+Tunable White)
Optics	14°, 25° (Static White) 18°, 24° (RGBW+Tunable White)
Finishes	Stainless Steel
Fixture Dimensions	Ø5.75" x 5.25" h
LED Source	Citizen LED COB, Araya LED Module
IP Rating	IP68, IP69
Driveover Rated	11,000 lbs (30mph)

ORDERING INFORMATION

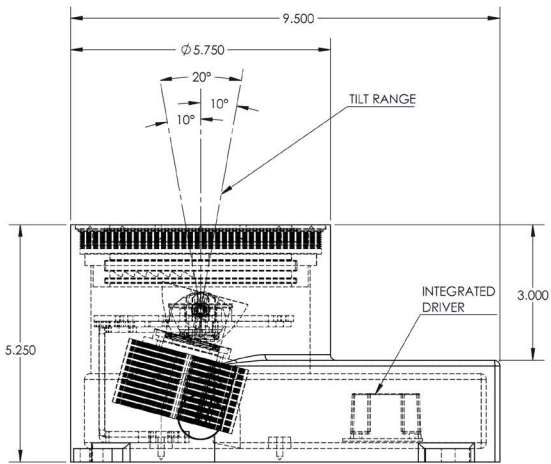
Example: CXA-LEY4SS12LQW. Accessories sold separately.

CXA-L	-	4	SS1				
Model #	CCT	Body	Finish	Optic	Driver	Lens	Options
CXA-L	EW - 2700K EX - 3000K EY - 3500K EZ - 4000K	4 - Fully Recessed	SS1 - Stainless Steel Standard Grill	1 - 14° 2 - 25°	L - 120-277VAC Integral w/ 0-10V Dimming <i>Note: ELV and Triac 120V only</i>	T - Clear Tempered Glass Q - Clear Tempered Glass w/ Non-Skid Pattern G - Frosted Tempered	0 - None W - Linear Spread H - Honeycomb Louver S - Solite Lens B - Special Lens <i>Note: Rubber Lens Holder PP600167 included w/ options</i>
Model #	CCT			Optic	Driver		
CXA-L	RW - 12W, RGBW + Tunable White (1650K-8000K) +DMX			1 - 18° 2 - 24°	C - 120-277VAC		

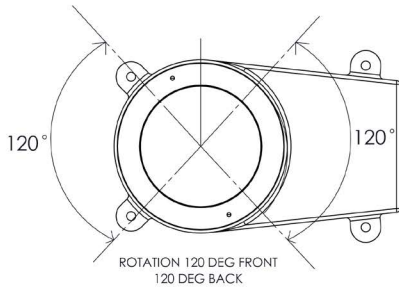
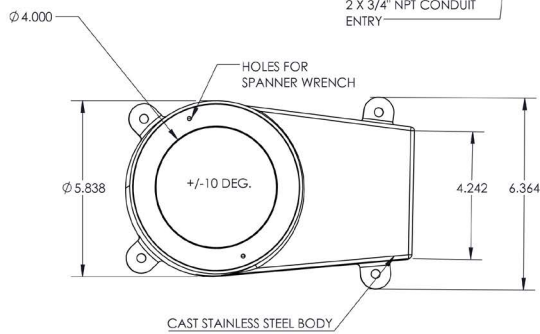
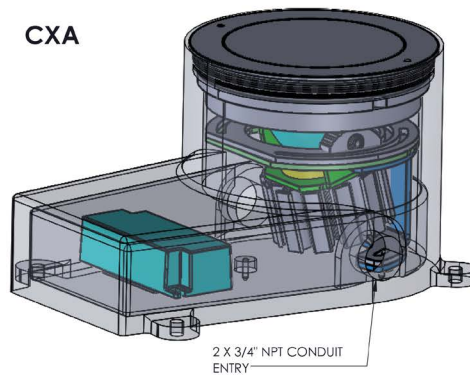
Job Name/Date:

Fixture Type Designation:

FIXTURE DIMENSIONS



CXA



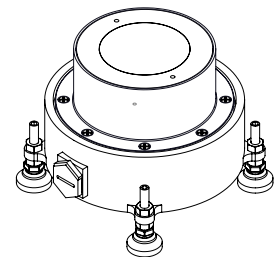
PHOTOMETRIC DATA

Coming Soon

ACCESSORIES - Installation



LL301 - Optional Leveling Pad
Set of 4



Job Name/Date:

Fixture Type Designation: