



- Cast stainless steel body 304 alloy
- Citizen LED COB or Araya LED Module
- 10W (Static White, 20-277VAC) or
- 12W (RGBW+Tunable White, 120-277VAC)
- Integral (0-10V, ELV, Triac Dimming on Static White)
- Unique “bottle cap” threaded lens frame
- No screws to lose
- Lens frame turned from solid stainless steel 0.40” thick, Clear, Non-Skid, or Frosted Tempered Glass
- Walkover, Driveover rated for 11,000 lbs at 30 mph
- Unit can be through wired for daisy chaining
- Class I
- Available anti-slip dot pattern glass lens
- Adjustable version of in-grade upright CDX

CXA In-Ground Fixture

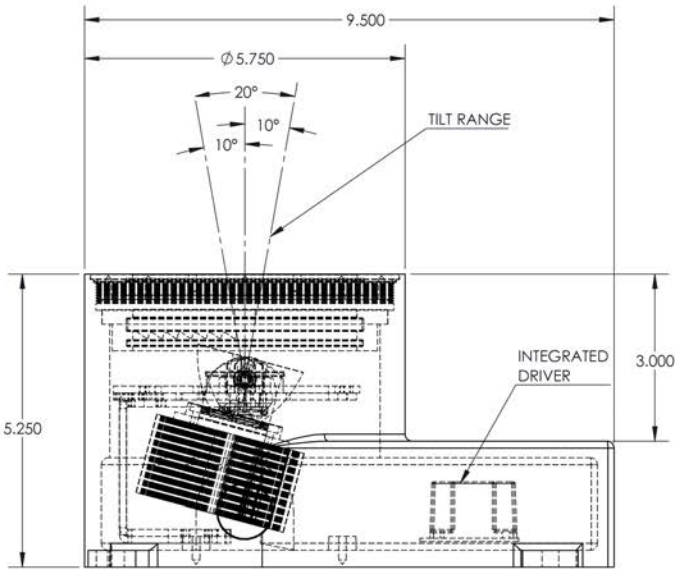
Flat Trim IP68



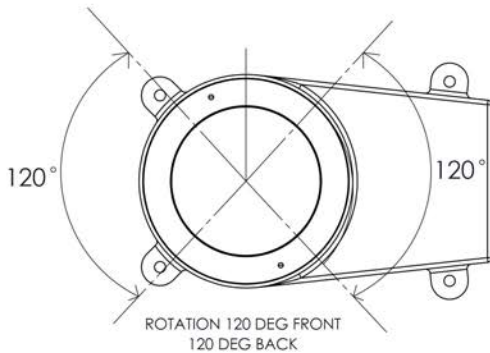
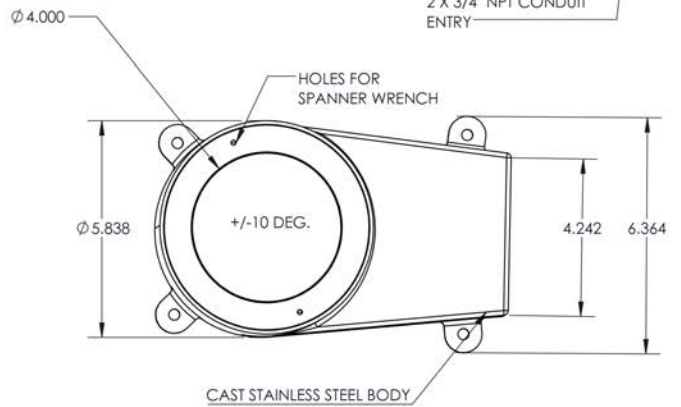
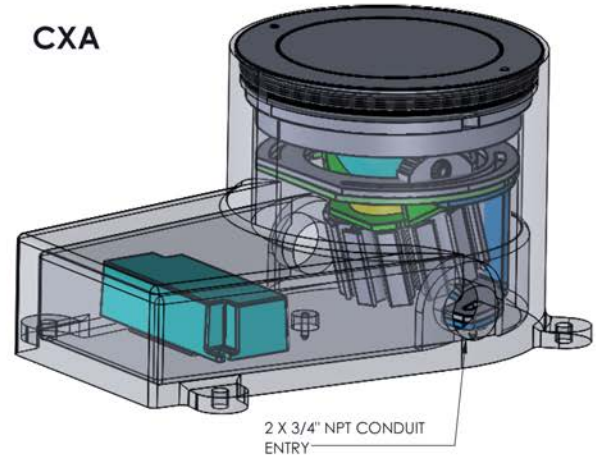
listed wet label IP68, IP69

Drawings

CXA - LED



CXA



designplan® 