

# CAMEO 1.8

The Cameo 1.8 is a small adjustable recessed downlight with manual zoom lens for indoor applications. With  $\pm 20^\circ$  tiltable optics,  $8^\circ$ - $40^\circ$  zoom and  $360^\circ$  rotation, the fixture is ideal for tight plenums, false ceilings and niches in plasterboard.

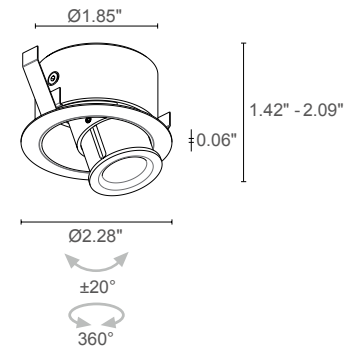


## TECHNICAL DATA

<b>Wattage / Input</b>	2.5W (24VDC)
<b>Power Supply</b>	Remote, not included. See page 2.
<b>Construction</b>	Body/Trim: Aluminum Alloy EN AW 6026 Cable Length: 4.92'
<b>CCT</b>	2700K, 3000K, 4000K
<b>CRI</b>	>90
<b>Delivered Lumens</b>	50 lm (3000K, $40^\circ$ )
<b>Efficacy</b>	20 lm/W (3000K, $40^\circ$ )
<b>Optics</b>	Optical zoom $8^\circ$ - $40^\circ$ , tiltable $\pm 20^\circ$ (see below)
<b>Finishes</b>	White, Black, Custom RAL
<b>Fixture Dimensions</b>	$\varnothing 2.28"$ x 1.42" h
<b>Cut-out Size</b>	$\varnothing 2.13"$ (for ceiling or installations)
<b>Fixture Weight</b>	0.15 lbs
<b>LED Source</b>	1 Power LED
<b>Lumen Maintenance</b>	L90, B10 >50,000hrs (Ta $25^\circ\text{C}$ )
<b>Color Consistency</b>	1/4 ANSI BIN
<b>Operating Temp.</b>	$32^\circ\text{F}$ to $+113^\circ\text{F}$
<b>IP Rating</b>	IP40
<b>IK Rating</b>	-

Cutout Dimensions for ceiling installations =  $\varnothing 2.13"$

Fixture Dimensions



## ORDERING INFORMATION

Example: CM180010005R1E. Power Supplies / Accessories ordered separately.

CM18001000		R1	
Model No.	CCT	Optics	Finish
CM18001000	F - 2700K 5 - 3000K 9 - 4000K	R1 - Optical Zoom $8^\circ$ - $40^\circ$ tiltable $\pm 20^\circ$	E - White N - Black C - Custom RAL (consult factory for "C")

Job Name/Date:

Fixture Type Designation:

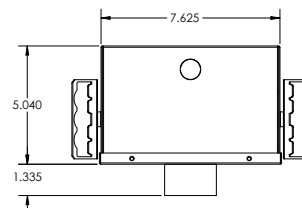
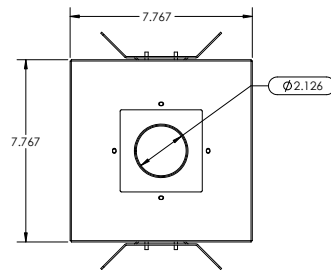
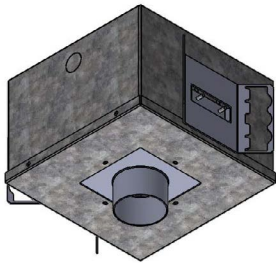
## SUGGESTED POWER SUPPLIES

24VDC

Part Number	Description	Input/Output	# of Fixtures
<a href="#">PPLT00128</a>	Non-Dim	120VAC to 24VDC, 6W, Class 2	1-1
<a href="#">PPLT00275</a>	Non-Dim	120-277VAC to 24VDC, 12W, Class 2	1-3
<a href="#">PPLT00632</a>	0-10V Dimming (Dim to Off)	120-277VAC to 24VDC, 12W, Class 2	1-3
<a href="#">PPLT00155</a>	Non-Dim	120VAC to 24VDC, 30W, Class 2	1-9
<a href="#">PPLT00157</a>	Non-Dim	120VAC to 24VDC, 60W, Class 2	1-19
<a href="#">PPLT00599</a>	ELV / TRIAC & 0-10V Dimming (100 to 0%)	120-277VAC to 24VDC, 96W, Class 2	1-30
<a href="#">PPLT00543</a>	0-10V Dimming to 15% (-40°C / -40°F cold weather start)	120-277VAC to 24VDC, 100W, Class 2	4-32

For other power supply options consult factory.

## ACCESSORIES - Installation



**AH-00008-IC** (IC Rated)

**AH-00008-CP** (Chicago Plenum Rated)

Housing for recessed installation in ceilings.

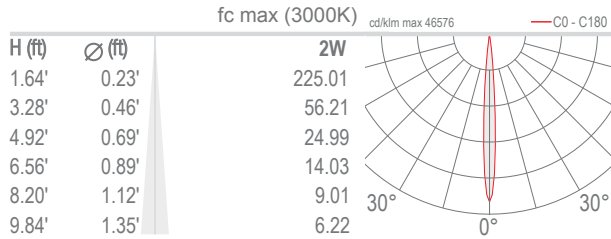
Job Name/Date:

Fixture Type Designation:

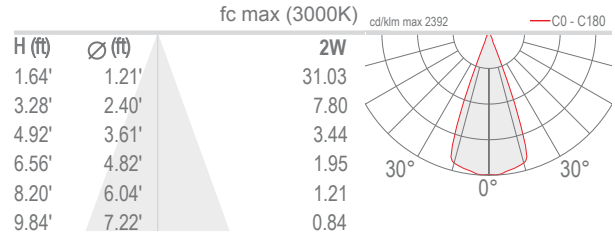
## PHOTOMETRIC DATA

Note all Photometry is 3000K

### R1 - 8° (8° – 40°)



### R1 - 40° (8° – 40°)



Job Name/Date:

Fixture Type Designation: