

The Cameo 2.8 is a small adjustable recessed downlight with manual zoom lens for indoor applications. With $\pm 20^\circ$ tiltable optics, 8° - 58° zoom and 360° rotation, the fixture is ideal for tight plenums, false ceilings and niches in plasterboard.

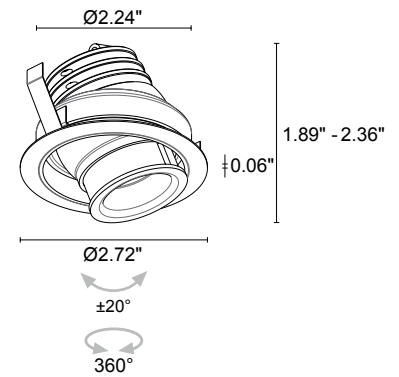
TECHNICAL DATA

Wattage / Input	5W (24VDC)
Power Supply	Remote, not included. See page 2.
Construction	Body/Trim: Aluminum Alloy EN AW 6026 Cable Length: 4.92'
CCT	2700K, 3000K, 4000K (3500K on request, consult factory)
CRI	>90
Delivered Lumens	241 lm (3000K, 58°)
Efficacy	48.2 lm/W (3000K, 58°)
Optics	Optical zoom 8° - 58° , tiltable $\pm 20^\circ$ (see below)
Finishes	White, Black, Custom RAL
Fixture Dimensions	$\varnothing 2.72"$ x 1.89" h
Cut-out Size	$\varnothing 2.56"$ (for ceiling installations)
Fixture Weight	0.33 lbs
LED Source	1 Power LED High Intensity
Lumen Maintenance	L95, B10 >50,000hrs (Ta 25°C)
Color Consistency	3-Step MacAdam
Operating Temp.	32°F to $+113^\circ\text{F}$
IP Rating	IP40
IK Rating	-



Cutout Dimensions for ceiling installations = $\varnothing 2.56"$

Fixture Dimensions



ORDERING INFORMATION

Example: CM280010005R1E. Power Supplies / Accessories ordered separately.

CM28001000		R1	
Model No.	CCT	Optics	Finish
CM28001000	F - 2700K 5 - 3000K 9 - 4000K	R1 - Optical Zoom 8° - 58° tiltable $\pm 20^\circ$	E - White N - Black C - Custom RAL (Consult factory for "C")

Job Name/Date:

Fixture Type Designation:

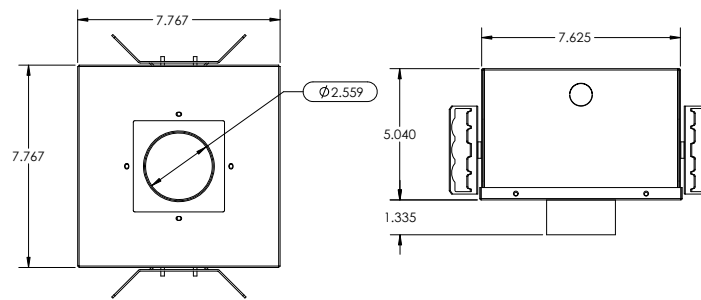
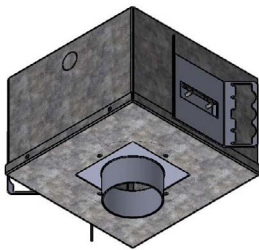
SUGGESTED POWER SUPPLIES

24VDC

Part Number	Description	Input/Output	# of Fixtures
PPLT00149	Non-Dim	120VAC to 24VDC, 10W, Class 2	1-1
PPLT00632	0-10V Dimming (Dim to Off)	120-277VAC to 24VDC, 12W, Class 2	1-1
PPLT00481	Non-Dim	120-277VAC to 24VDC, 24W, Class 2	1-3
PPLT00157	Non-Dim	120VAC to 24VDC, 60W, Class 2	1-9
PPLT00599	ELV / TRIAC & 0-10V Dimming (100 to 0%)	120-277VAC to 24VDC, 96W, Class 2	1-15
PPLT00543	0-10V Dimming to 15% (-40°C / -40°F cold weather start)	120-277VAC to 24VDC, 100W, Class 2	2-16

For other power supply options consult factory.

ACCESSORIES - Installation



AH-00010-IC (IC Rated)

AH-00010-CP (Chicago Plenum Rated)

Housing for recessed installation in ceilings.

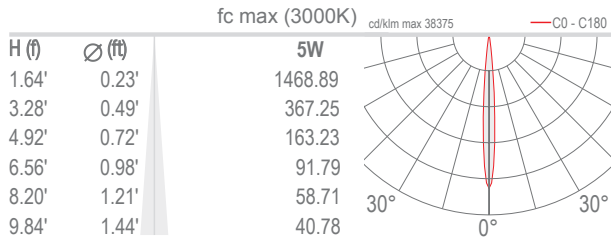
Job Name/Date:

Fixture Type Designation:

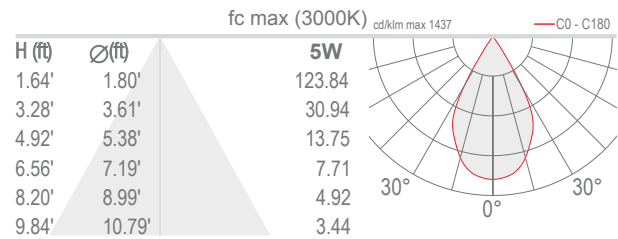
PHOTOMETRIC DATA

Note all Photometry is 3000K

R1 - 8° (8° – 58°)



R1 - 58° (8° – 58°)



Job Name/Date:

Fixture Type Designation: