

The Cameo 2.8 is a small adjustable recessed downlight with manual zoom lens for indoor applications. With $\pm 20^\circ$ tiltable optics, 8° - 58° zoom and 360° rotation, the fixture is ideal for tight plenums, false ceilings and niches in plasterboard.

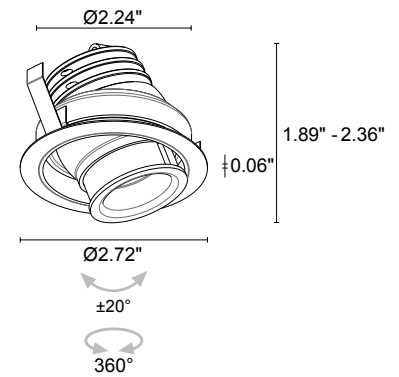
TECHNICAL DATA

| | |
|---------------------------|---|
| Wattage / Input | 5W (24VDC) |
| Power Supply | Remote, not included. See page 2. |
| Construction | Body/Trim: Aluminum Alloy EN AW 6026 Cable Length: 4.92' |
| CCT | 2700K, 3000K, 4000K (3500K on request, consult factory) |
| CRI | >90 |
| Delivered Lumens | 241 lm (3000K, 58°) |
| Efficacy | 48.2 lm/W (3000K, 58°) |
| Optics | Optical zoom 8° - 58° , tiltable $\pm 20^\circ$ (see below) |
| Finishes | White, Black, Custom RAL |
| Fixture Dimensions | $\varnothing 2.72"$ x 1.89" h |
| Cut-out Size | $\varnothing 2.56"$ (for ceiling installations) |
| Fixture Weight | 0.33 lbs |
| LED Source | 1 Power LED High Intensity |
| Lumen Maintenance | L95, B10 >50,000hrs (Ta 25°C) |
| Color Consistency | 3-Step MacAdam |
| Operating Temp. | 32°F to $+113^\circ\text{F}$ |
| IP Rating | IP40 |
| IK Rating | - |



Cutout Dimensions for ceiling installations = $\varnothing 2.56"$

Fixture Dimensions



ORDERING INFORMATION

Example: CM280010005R1E. Power Supplies / Accessories ordered separately.

| | | | |
|------------------|-------------------------------------|---|---|
| CM28001000 | | R1 | |
| Model No. | CCT | Optics | Finish |
| CM28001000 | F - 2700K 5 - 3000K 9 - 4000K | R1 - Optical Zoom 8° - 58° tiltable $\pm 20^\circ$ | E - White N - Black C - Custom RAL (Consult factory for "C") |

Job Name/Date:

Fixture Type Designation:

SUGGESTED POWER SUPPLIES

24VDC

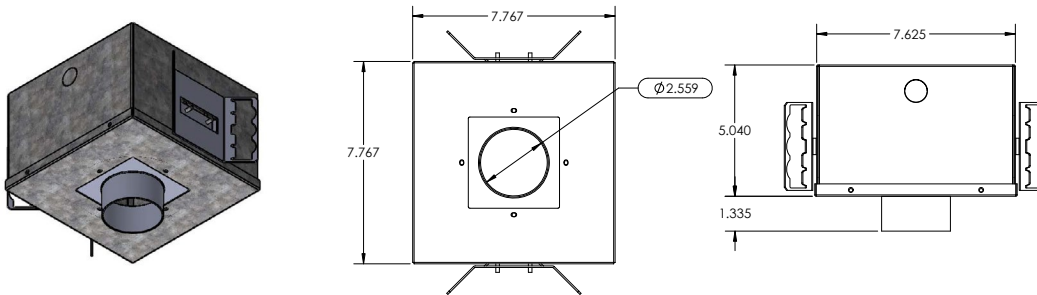
| Part Number | Description | Input/Output | # of Fixtures |
|---------------------------|---|------------------------------------|---------------|
| PPLT00149 | Non-Dim | 120VAC to 24VDC, 10W, Class 2 | 1-1 |
| PPLT00632 | 0-10V Dimming (Dim to Off) | 120-277VAC to 24VDC, 12W, Class 2 | 1-1 |
| PPLT00481 | Non-Dim | 120-277VAC to 24VDC, 24W, Class 2 | 1-3 |
| PPLT00586 | Non-Dim | 120-277VAC to 24VDC, 40W, Class 2 | 1-6 |
| PPLT00543 | 0-10V Dimming to 15% (-40°C / -40°F cold weather start) | 120-277VAC to 24VDC, 100W, Class 2 | 2-16 |

Suggested Lutron Compatible

| Part Number | Option | Lutron SKU | Dim Range | Description | Input/Output | # of Fixtures |
|---------------------------|----------------|------------|-----------|--|-----------------------------------|---------------|
| PPLT00273 | L3DAE / L3DA3W | L3DA | 100%-1% | Hi-Lume™ 1% EcoSystem™ or 1% 3-Wire LED Driver | 120-277VAC to 24VDC, 40W, Class 2 | 1-6 |
| PPLT00530 | L3DAE / L3D0 | L3DA/L3D0 | 100%-1% | Hi-Lume™ 0.1% EcoSystem™ or 3-Wire LED Driver | 120-277VAC to 24VDC, 96W, Class 2 | 1-15 |

For other power supply options consult factory.

ACCESSORIES - Installation



AH-00010-IC (IC Rated)

AH-00010-CP (Chicago Plenum Rated)

Housing for recessed installation in ceilings.

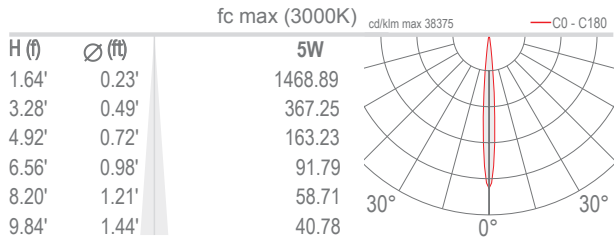
Job Name/Date:

Fixture Type Designation:

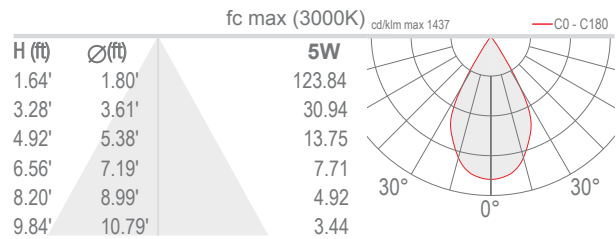
PHOTOMETRIC DATA

Note all Photometry is 3000K

R1 - 8° (8° – 58°)



R1 - 58° (8° – 58°)



Job Name/Date:

Fixture Type Designation: