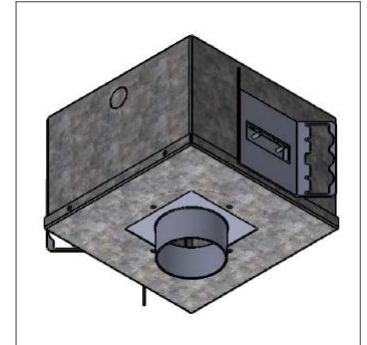




INSTRUCTIONS PERTAINING TO RISK OF FIRE OR INJURY TO PERSONS. READ ALL INSTRUCTIONS. IMPORTANT SAFETY INSTRUCTIONS. SAVE THESE INSTRUCTIONS.

DANGER - RISK OF SHOCK - DISCONNECT POWER BEFORE INSTALLATION! Please read all instructions before installation.

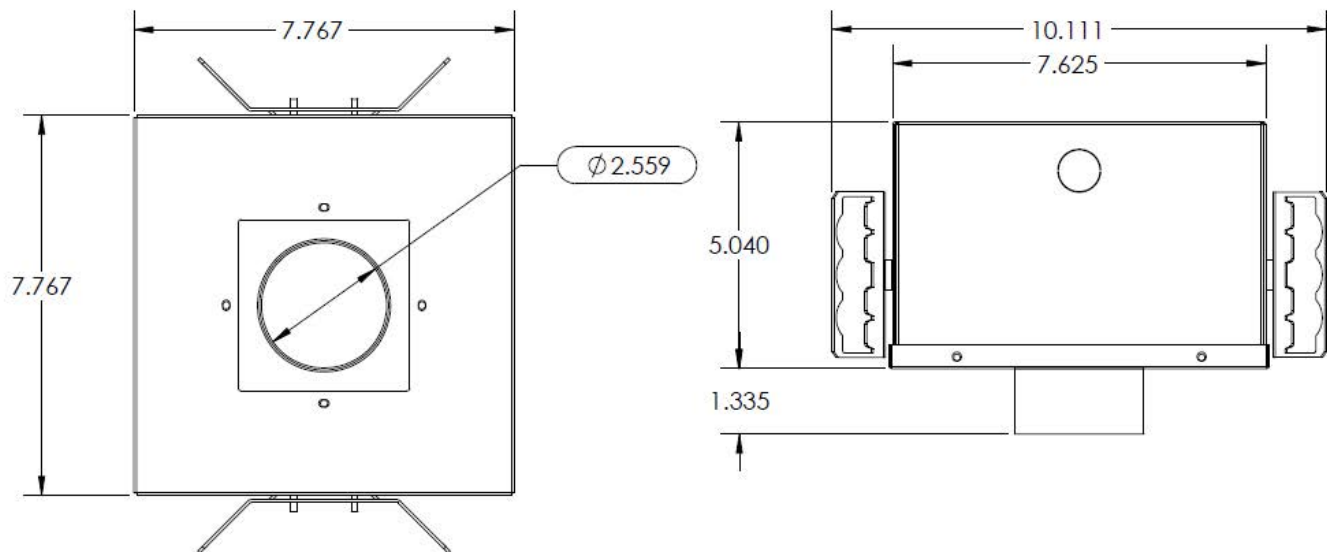
- Keep these instructions for future reference.
- Must be installed by a qualified electrician in accordance with national and local standards. Designplan is not responsible for fixtures installed without regard to these standards.
- Unauthorized alterations or tampering of product voids warranty.



- Housing Dimensions: 10.11" L x 7.76" W x 6.37" H
- Housing comes with two adjustable mounting brackets secured with M4 wingnuts.
- Ceiling Cutout - DIA 2-21/32"
- Remove desired knockout to feed building wires through.

This IC/CP Box is used for:

- Cameo 2.7
- Cameo 2.8
- Ciak 2.6
- Ciak 2.7



- Mount the IC/CP housing by utilizing the hanger bars on the sides of the body. It is the contractor's responsibility to supply proper mounting based on job condition. The fixture is suitable for a maximum 1-1/4" ceiling thickness.
- A 2-21/32" diameter cut out hole is required for the fixture to properly fit through the ceiling.
- Utilize the conduit entries on the housing for wiring. The remote driver should be in a suitable electrical enclosure.

