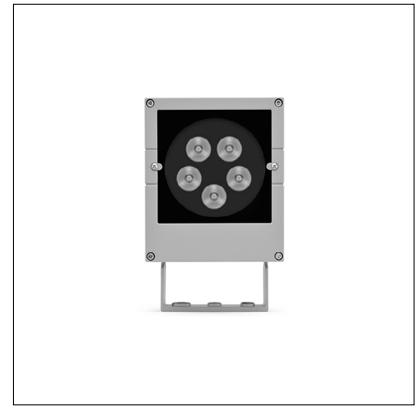


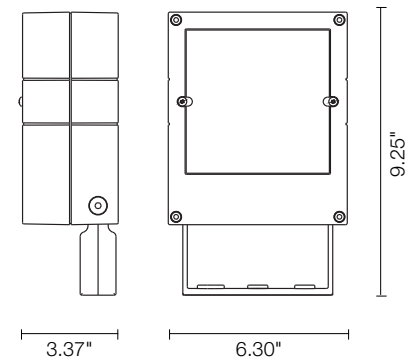
Case is a family of square outdoor floodlights for installation on a façade or wall. There are three sizes, Micro, Medium and Maxi that come in 2 color temperatures, 3 optic options and 3 standard finishes.



TECHNICAL DATA

Wattage / Input	8W (120-277VAC)
Power Supply	Integral (0-10V Dimming)
Construction	Body/Bracket: High Corrosion Resistance, Die-cast, Copper-free Aluminum Lens: Tempered Safely Glass Cable Length: 3.28'
CCT	3000K, 4000K
BUG Rating	B1-U0-G0 (10°, 30°) B0-U4-G0 (45°)
Delivered Lumens	720 lm (3000K, 10°)
Efficacy	90 lm/W
Optics	10°, 30°, 45°
Finishes	Textured Gray, Anthracite Gray, Matte Black
Fixture Dimensions	6.30" l x 3.37" w x 9.25" h
Fixture Weight	4.41 lbs
LED Source	5 CREE XP-G2 LEDs
IP Rating	IP65
Impact Rating	IK08

Fixture Dimensions



BOTH included in standard package

Short Fixing Bracket



Medium Fixing Bracket



With Extended Fixing Bracket

ORDERING INFORMATION

Example: 101006P-30K-30-TG.

Model No.	CCT	Optics	Finish
101006P - short and medium fixing bracket included 101007P - version with extended fixing bracket	30K - 3000K 40K - 4000K	10 - 10° 30 - 30° 45 - 45°	TG - Textured Gray AG - Anthracite Gray MB - Matte Black

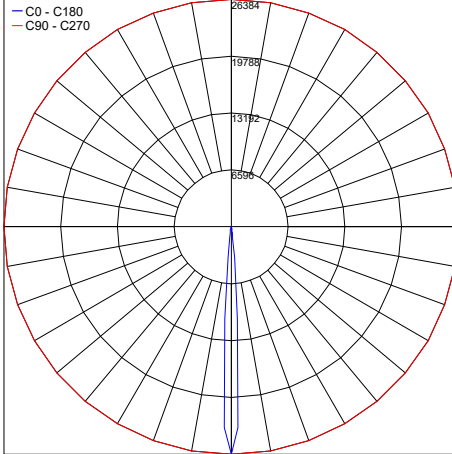
Job Name/Date:

Fixture Type Designation:

PHOTOMETRIC DATA

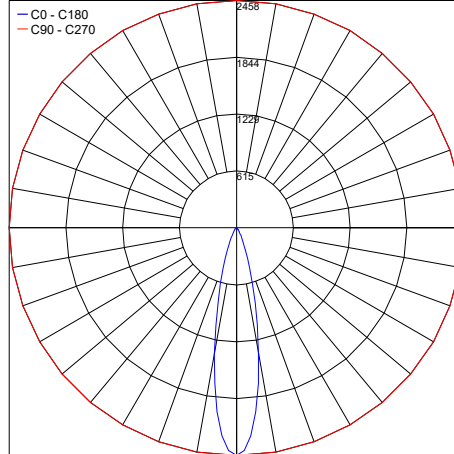
Note: Photometry is 3000K

Maximum Candela = 26384



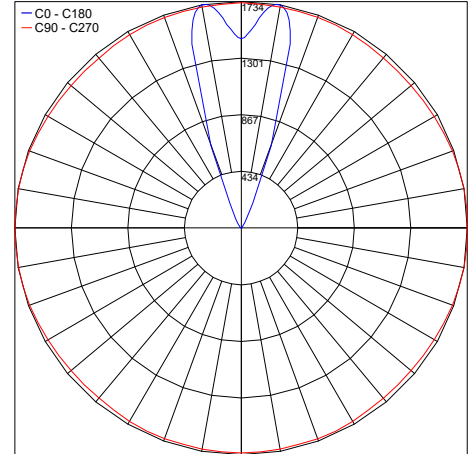
PHOTOMETRIC FILENAME : CASE MEDIUM 3000K 8W 10DEG.IES

Maximum Candela = 2458.2



PHOTOMETRIC FILENAME : CASE MEDIUM 3000K 8W 30DEG.IES

Maximum Candela = 1734.5



PHOTOMETRIC FILENAME : CASE MEDIUM 3000K 8W 45DEG.IES

Job Name/Date:

Fixture Type Designation: