

DOTZ - CASSIOPEA

Dotz Cassiopea is a square wet label LED downlight with on board 0-10V dimming which can be installed recessed with 3 springs or panel mounted with 1.0" conduit nut on the threaded part of the body. It is available with a clear, frosted or opal lens and CNC machined trim in aluminum, brass or stainless steel.



MADE IN THE USA

Complies with LM79 and LM80

Complies with ARRA

Fixture Dimensions

See Drawing on page 2.

TECHNICAL DATA

Wattage / Input	1W, 3W (24VDC)
Power Supply	Remote, not included. See page 2.
Construction	Body: Die Cast Aluminum Lens: 3/16" Tempered Glass Cable Length: 2.0'
CCT	3000K, 4000K, 5000K (Static color on request)
CRI	>80
Delivered Lumens	24.3 lm (1W, 5000K, frosted, no optic) 8.3 lm (1W, 5000K, opal, no optic) 81 lm (3W, 3000K, clear, 25°) 43 lm (3W, 3000K, frosted, no optic) 14.5 lm (3W, 3000K, opal, no optic)
Efficacy	24 lm/W (1W, 5000K, Frosted) 8 lm/W (1W, 5000K, Opal) 27 lm/W (3W, 3000K, clear, 25°) 14.3 lm/W (3W, 3000K, frosted, no optic) 4.8 lm/W (3W, 3000K, opal, no optic)
Optics	6°, 25°, 6°x25° (only available on Clear Lens)
Finishes	7 Standard, See Below
LED Source	3W CREE LED
Fixture Dimensions	2.36" x 2.36" x 4.19" I
Body	Ø1.16"
Cut-out Dimension	Ø1.25" (for flush trim), Ø1.5" (for stand off trim)
IP Rating	IP65, Weatherproof Gland

ORDERING INFORMATION

Example: CSP-3-30-T-0-11. Power Supplies ordered separately.

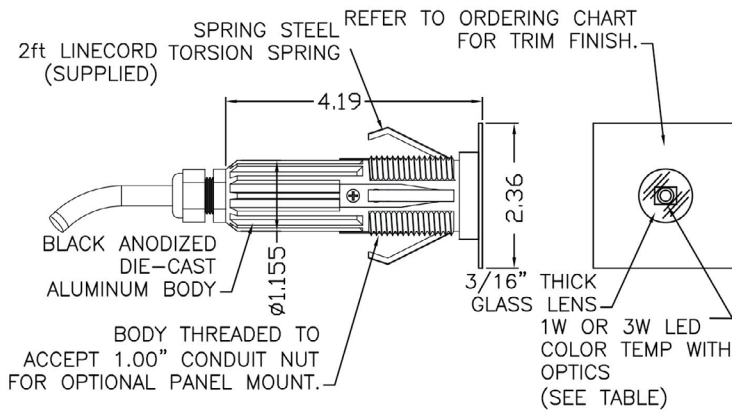
CSP - [] - [] - [] - [] - []

Model No.	Wattage	CCT	Lens	Optics	Finish
CSP - Cassiopea	1 - 1W	30 - 3000K	T - Clear Tempered Glass G - Frosted Glass X - Opal Glass	0 - None 1 - 6° Spot 2 - 25° Medium 3 - 6°x25° Asymmetric <i>Note: Optics are for use with "T" Clear glass lens. No optics are used with "G" Frosted and "X" Opal glass lens.</i>	00 - Semi-Gloss Black 02 - Black Suede TS - Silver 11 - White Suede 96 - Clear Anodized Satin Aluminum PN - Polished Nickel SS - Stainless Steel
	3 - 3W	40 - 4000K 50 - 5000K <i>Note: Static Red, Green, Blue, Amber on request.</i>			

Job Name/Date:

Fixture Type Designation:

FIXTURE DIMENSIONS



SUGGESTED POWER SUPPLIES

24VDC

Part Number	Description	Input/Output	# of Fixtures	
			1W	3W
PPLT00128	Non-Dim	120VAC to 24VDC, 6W, Class 2, IP65	1-4	1-1
PPLT00632	0-10V Dimming (Dim to Off)	120-277VAC to 24VDC, 12W, Class 2	1-9	1-3
PPLT00155	Non-Dim	120VAC to 24VDC, 30W, Class 2	1-24	1-8
PPLT00157	Non-Dim	120VAC to 24VDC, 60W, Class 2	1-48	1-16
PPLT00599	ELV / TRIAC & 0-10V Dimming (100 to 0%)	120-277VAC to 24VDC, 96W, Class 2	1-76	1-25
PPLT00158	Non-Dim	120VAC to 24VDC, 100W, Class 2	1-80	1-26
PPLT00543	0-10V Dimming to 15% (-40°C / -40°F cold weather start)	120-277VAC to 24VDC, 100W, Class 2	10-80	4-26

Suggested Lutron Compatible

Part Number	Option	Lutron SKU	Dim Range	Description	Input/Output	# of Fixtures	
						1W	3W
PPLT00530	L3DAE / L3DA3W	L3DA	100%-1%	Hi-Lume™ 1% EcoSystem™ or 1% 3-Wire LED Driver	120-277VAC to 24VDC, 96W, Class 2	1-76	1-25

For other power supply options consult factory.

Job Name/Date:

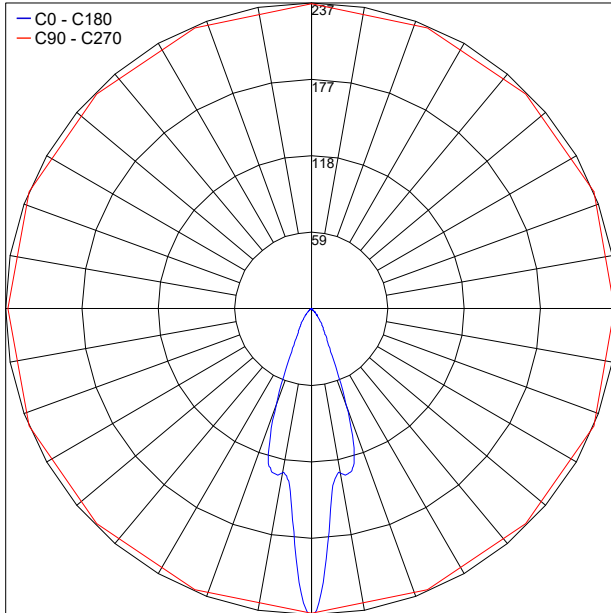
Fixture Type Designation:

PHOTOMETRIC DATA

Note all Photometry is 3000K

Dotz Square 3W 3000K Clear Lens - Medium Optic

Maximum Candela = 236.5



FILENAME : DOTZ 1X3W 3000K SQUARE CLEAR LENS MEDIUM OPTIC LTL21266.IES

LTL TEST #21266

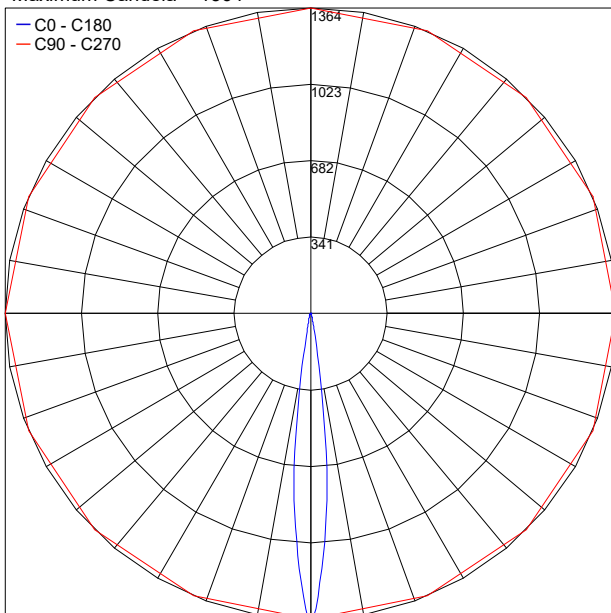
CIRCLE-OF-LIGHT

Ft below	FC nadir	Dia @ 50%
6.0	6.6	3.0
8.0	3.7	4.0
10.0	2.4	5.0
12.0	1.6	6.0
14.0	1.2	7.0
16.0	0.9	8.0

NOTE: 'Dia' spans the edge-points that are half of nadir FC

Dotz Square 3W 3000K Clear Lens - Narrow Optic

Maximum Candela = 1364



FILENAME : DOTZ 1X3W 3000K SQUARE CLEAR LENS NARROW OPTIC LTL21262.IES

LTL TEST #21262

CIRCLE-OF-LIGHT

Ft below	FC nadir	Dia @ 50%
6.0	37.9	1.2
8.0	21.3	1.7
10.0	13.6	2.1
12.0	9.5	2.5
14.0	7.0	2.9
16.0	5.3	3.3

NOTE: 'Dia' spans the edge-points that are half of nadir FC

Job Name/Date:

Fixture Type Designation: