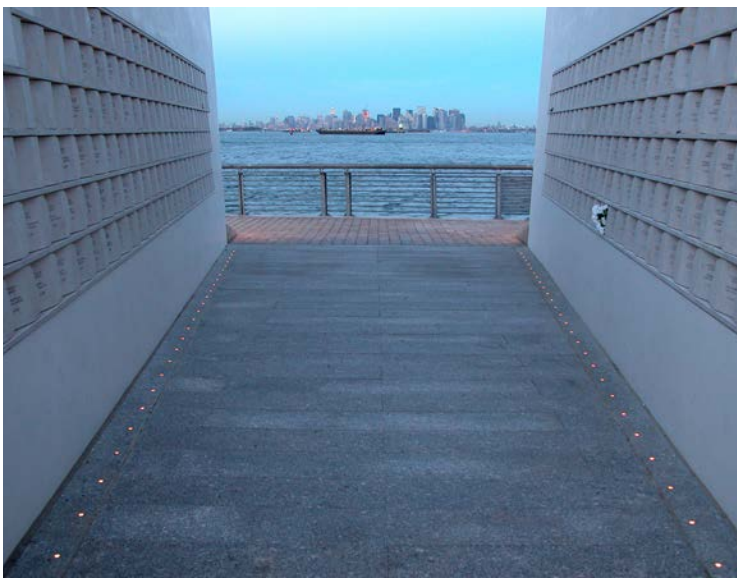
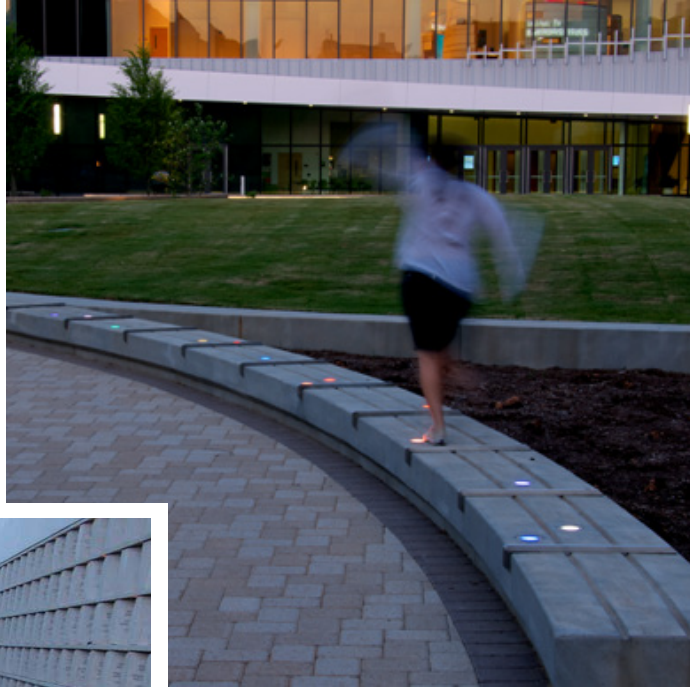


CENTAUR

IP69K - Ingrade Uplights



designplan™ 

The Centaur C1X, C2X, C4X, C4G and C4C are made of stainless steel and are rated IP68 and IP69K (suitable for power washing).

Available in 1", 2.5" and 4" diameter (4" also comes in RGB).

Finish is Stainless Steel 304 Alloy.

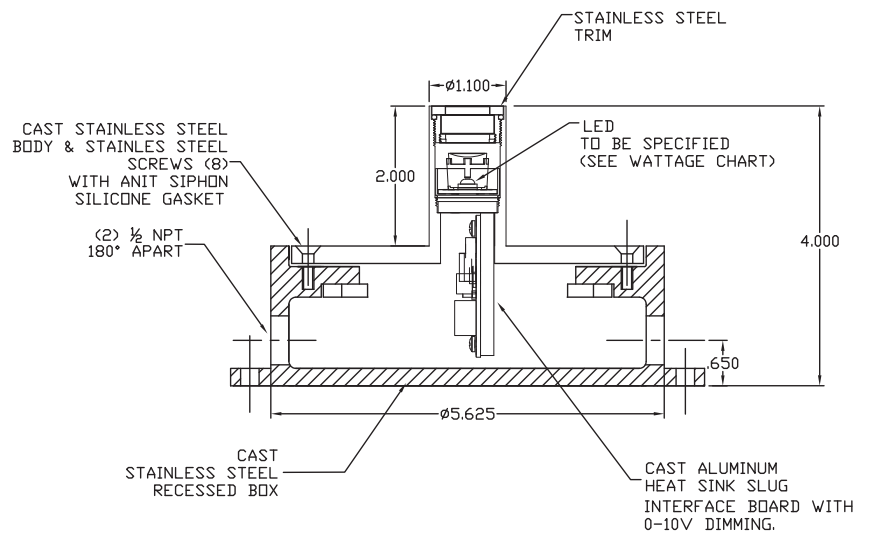
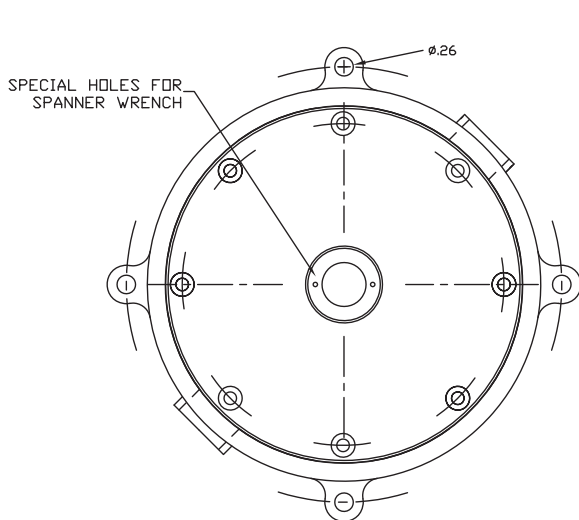
Driveover rated up to 11,000 lbs.

Centaur C1X



Centaur C1X is a 1" diameter ingrade upright.

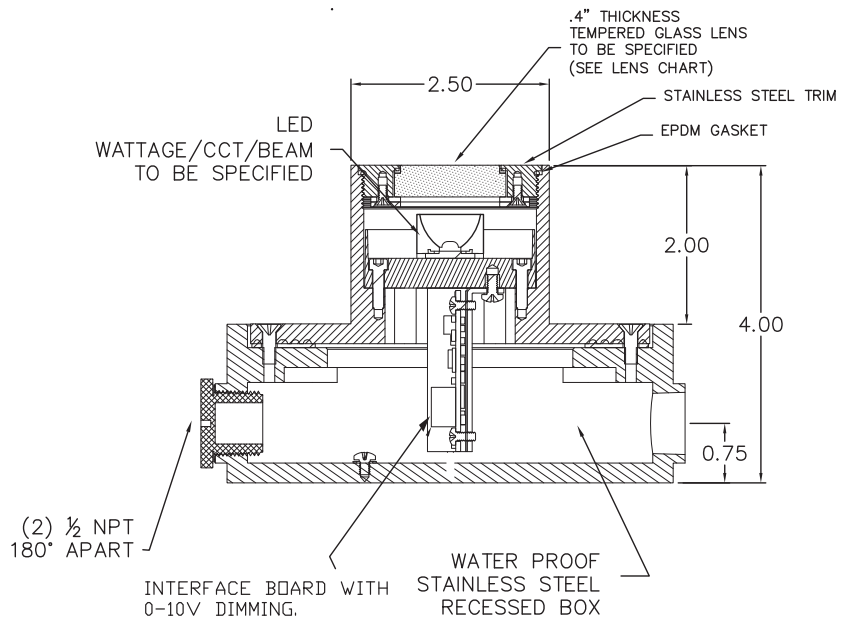
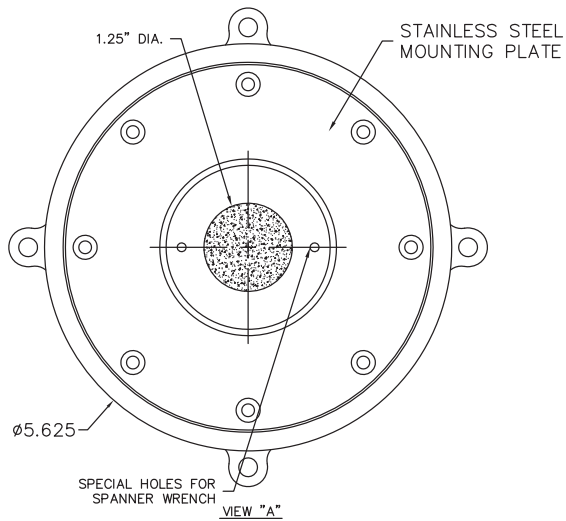
Wattage / Input	1W (24VDC)
Power Supply	Remote, not included. See datasheet
Construction	Body and Trim: Stainless Steel 304 Alloy Jbox: Cast Stainless Steel Lens: 0.4" Tempered Glass Lens Frame: Threaded Bottlecap
CCT	3000K, 5000K
CRI	CRI>80
Delivered Lumens	44 lm (3000K, 24VDC)
Optics	0°, 6°, 25°
Fixture Dimensions	Ø1.0" x 4.0" h
LED Source	1 Cree XPE LED



Centaur C2X

Centaur C2X is a 2.5" diameter ingrade upright.

Wattage / Input	1W, 3W (24VDC)
Power Supply	Remote, not included. See datasheet.
Construction	Body and Trim: Stainless Steel 304 Alloy Jbox: Cast Stainless Steel Lens: 0.4" Tempered Glass Lens Frame: Threaded Bottlecap
CCT	3000K, 4000K, 5000K
CRI	CRI>80
Delivered Lumens	260 lm (3000K, 24VDC)
Optics	0°, 10° Narrow, 21° Medium, 39° Wide, 10°x44° Elliptical
Fixture Dimensions	Ø2.5" x 4.0" h
LED Source	1 Cree XPE LED

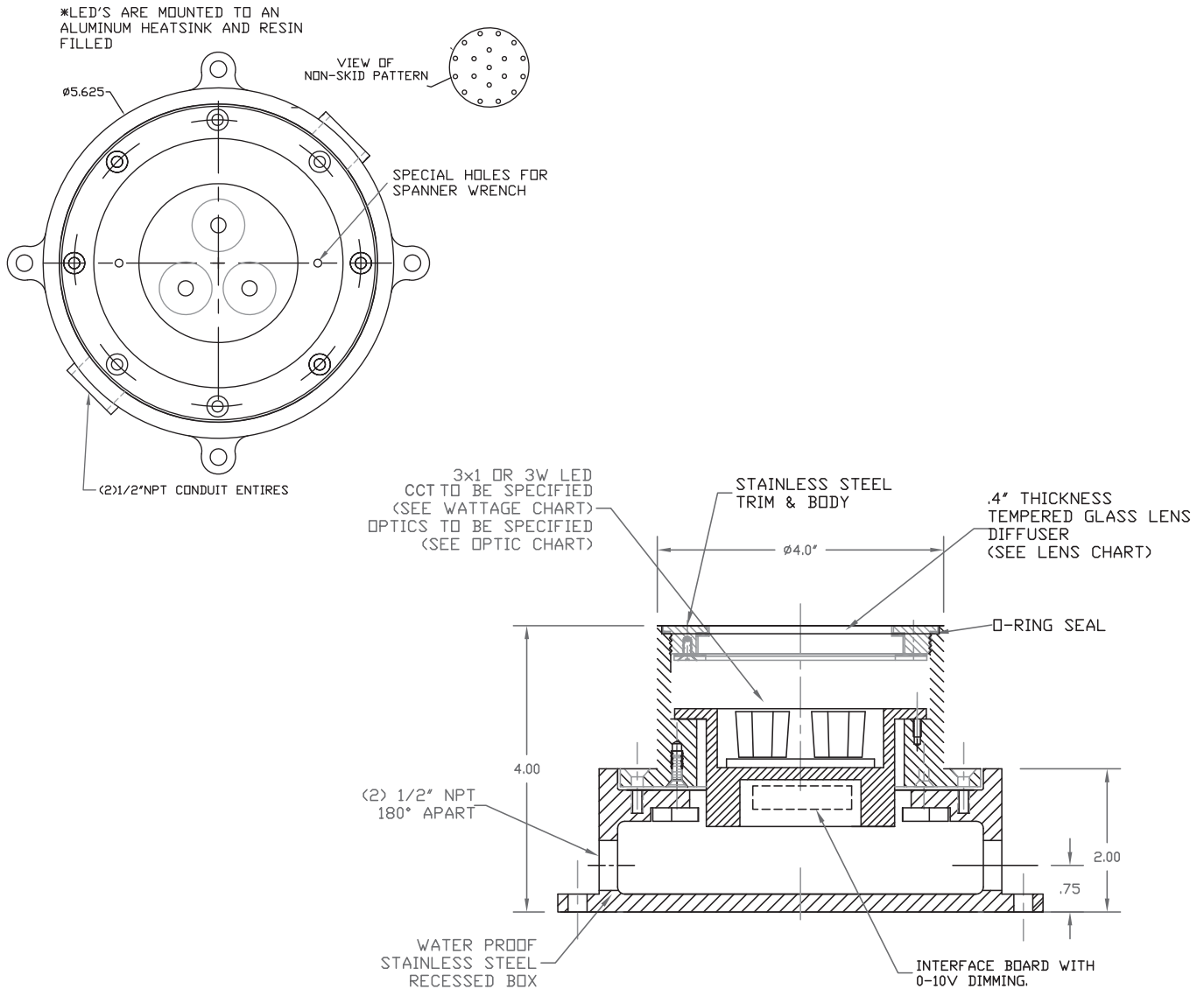


Centaur C4X



Centaur C4X is a 4" diameter ingrade upright.

Wattage / Input	3W, 9W (24VDC)
Power Supply	Remote, not included. See datasheet.
Construction	Body and Trim: Stainless Steel 304 Alloy Jbox: Cast Stainless Steel Lens: 0.4" Tempered Glass Lens Frame: Threaded Bottlecap
CCT	3000K, 4000K
CRI	CRI>80
Delivered Lumens	780 lm (3000K, 24VDC)
Optics	0°, 6° Narrow, 25° Wide, 6°x25° Elliptical
Fixture Dimensions	Ø4.0" x 4.0" h

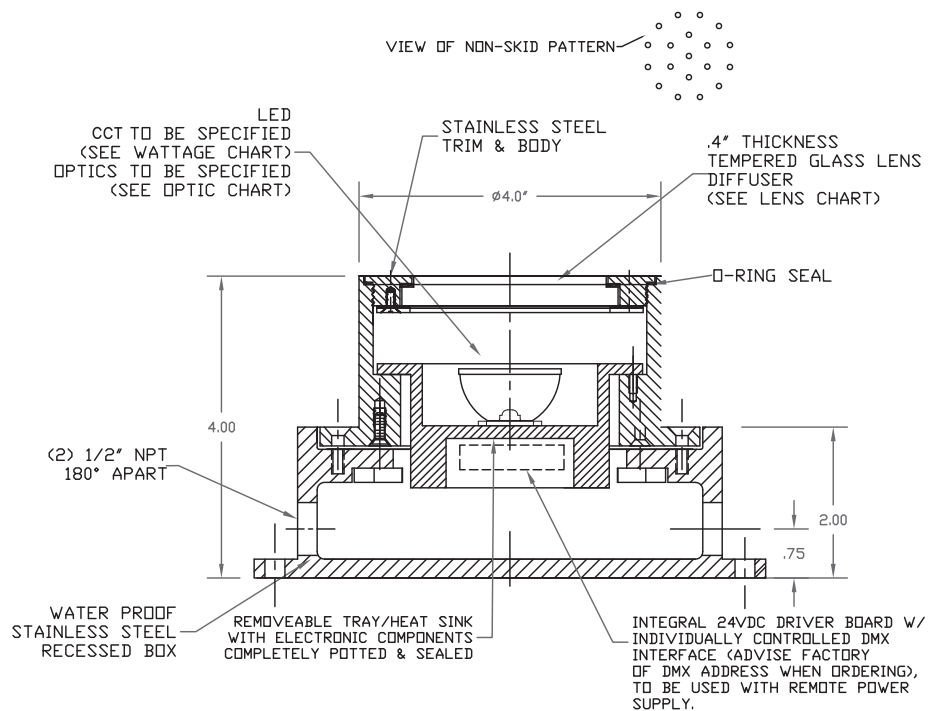
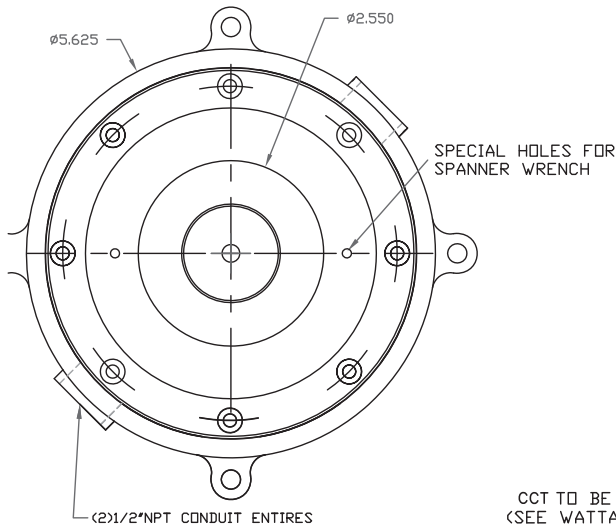


Centaur C4C



Centaur C4C is a 4" diameter ingrade uplight.

Wattage / Input	5W (24VDC) RGBW or Tunable White
Power Supply	Remote, not included. See datasheet.
Construction	Body and Trim: Stainless Steel 304 Alloy Jbox: Cast Stainless Steel Lens: 0.4" Tempered Glass Lens Frame: Threaded Bottlecap
CCT	RGBW, Tunable White
CRI	CRI>80
Delivered Lumens	360 lm (3000K)
Optics	0°, 10° Narrow, 30° Medium
Fixture Dimensions	Ø4.0" x 4.0" h



Centaur C4G

Centaur C4G is a 4" diameter ingrade upright.

Wattage / Input	3W (120-277VAC)
Power Supply	Integral 120-277VAC Non-Dim
Construction	Body and Trim: Stainless Steel 304 Alloy Jbox: Cast Stainless Steel Lens: 0.4" Tempered Glass Lens Frame: Threaded Bottlecap
CCT	3000K, 4000K
CRI	CRI>80
Delivered Lumens	360 lm (3000K)
Optics	0°, 6° Narrow, 25° Wide, 6°x25° Elliptical
Fixture Dimensions	Ø4.0" x 4.0" h

