

CLASS



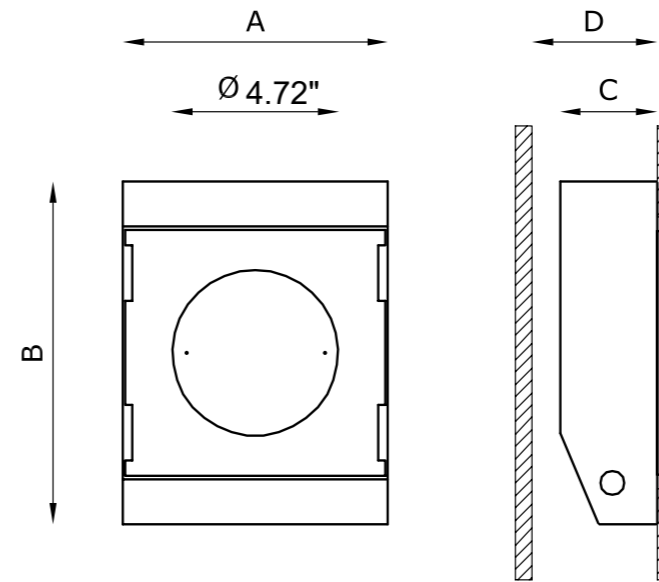
Technology combines with elegance to give life to a product with a clean and minimal design: the AirCoral® body of this luminaire, a totally disappearing, indoor, recessed, installable on plasterboard or brick walls and ceilings, is completely invisible. The satin glass, fixed with white polycarbonate screws perfectly positioned at the level of the body, creates a pure cone of light with a neat volume which embraces the surfaces below, breaking into darkness.

designplan® 



79 Trenton Avenue
Frenchtown, NJ 08825

www.designplan.com

Tel: (908) 996-7710
Fax: (908) 996-7042



TECHNICAL FEATURES

Code	BU6193.Z.AC.US
Type	Downlight 90° Wall recessed 90° 
Material	AC: AirCoral®
Absorption capacity*	20.23 ft ²
Weight	3.31 lbs
Mounting	Wall and ceiling recessed
IP rating	IP40
Control gear	Constant current electronic driver
Dimensions	A: 7.48"; B: 9.65"; C: 2.76"; D: 3.15"
Cut out for plasterboard	7.68" x 7.28"
Lamp type	LED 500mA 
Lamp wattage	1 x 10W
Luminous efficacy	105 lm/W - 3000K
Light distribution	Wide beam 40°
Light color	White 3000K
Light hole	Ø 4.72"
CRI	>90

* The absorption capacity per ft³ calculated by the American organization TCNA (Tile Council of North America) is measured for an average room of 8.86' in height and therefore expressed in ft²