



INSTRUCTIONS PERTAINING TO RISK OF FIRE OR INJURY TO PERSONS. READ ALL INSTRUCTIONS. IMPORTANT SAFETY INSTRUCTIONS. SAVE THESE INSTRUCTIONS.

DANGER - RISK OF SHOCK - DISCONNECT POWER BEFORE INSTALLATION! Please read all instructions before installation.

- Keep these instructions for future reference.
- Must be installed by a qualified electrician in accordance with national and local standards. Designplan is not responsible for fixtures installed without regard to these standards.
- Unauthorized alterations or tampering of product voids warranty.
- The main power connection must be in accordance with local electrical codes.
- Suitable for INDOOR applications.
- DO NOT INSTALL INSULATION WITHIN 76MM (3") OF ANY PART OF THE LUMINAIRE.



Electrical Connections:

- LED lights must be **connected in parallel** respecting polarities.
- **CHOOSE POWER SUPPLY ACCORDINGLY.** Please consider the voltage through which fixtures are fed as well as the max power consumption.
- **Connect power only if all the fixtures are connected.**
- The power supplies MUST be installed in aerated rooms, far from heat sources. Overworking or lack of air circulation will not permit natural dissipation.
- Use only Class 2 type electronic power supply.
- Never use switches on secondary circuit.

Maintenance

Scheduled maintenance must be carried out once a year on all lighting devices, regardless of appliance class and type of use. It must include the following operations:

- Periodically clean fixtures to remove dirt from gratings and screw heads.
- Check tightness of screws on various parts of the device.
- Check that all cable glands and cables are intact and tight. Check that the glass or plastic lens is intact, and replace it if broken or damaged.
- The internal components such as the ballast, driver, washers and screws must not show clear signs of oxidation or rust. Clear traces of rust and oxidation will indicate the presence of water inside the device.
- In the case of damage, the components must be replaced by original components or spare parts.

FRAME/TRIM INSTALLATION

1. CAREFULLY UNPACK THE PANELS FROM ITS SHIPPING CRATE. CAUTION! PANELS ARE HEAVY, AND WILL BE SOMEWHAT FLEXIBLE. DO NOT ALLOW PANELS TO FLEX.

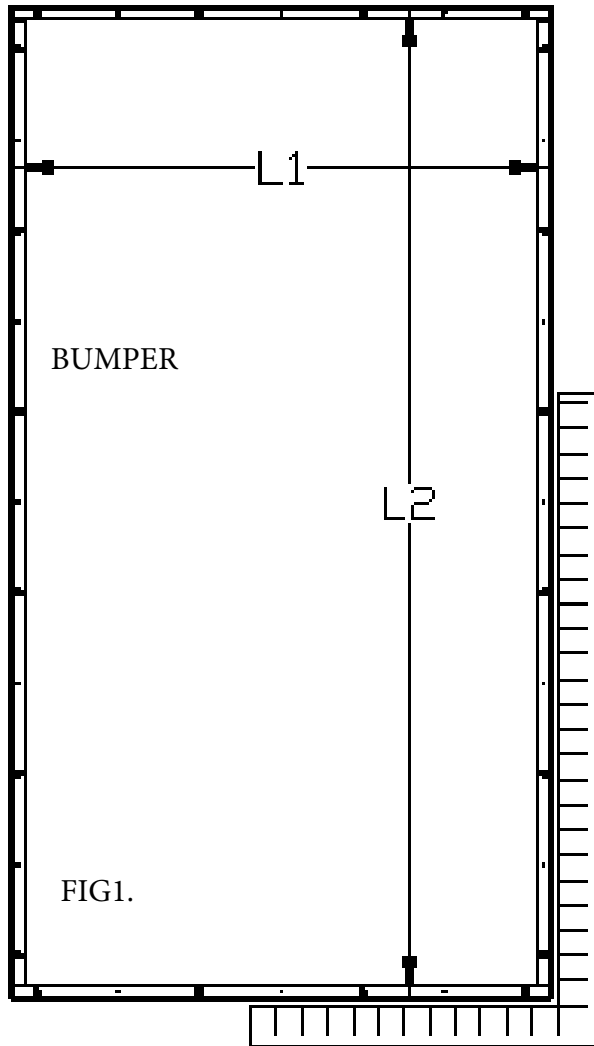
IMPORTANT! In order to achieve the best mounting appearance, we recommend that the install contractor use a laser level (preferred), or a long framing square to ensure the best vertical and horizontal 90degree positions of the frames when assembled. The trims are designed with 45degree mitered corners.

2. MOUNT THE FRAME: Frames and Trims are labeled (A1, B1...., A2, B2, etc...). It is important to ensure that the frames are paired to their matching trims. Begin by mounting the INNER frame to where the BOTTOM of the assembled panel location is to be on the mounting surface. Ensure that the frame is centered and level. Again, we recommend a laser level be used, or a long framing square, to ensure correct location placement.
3. Secure the INNER bottom frame to the mounting surface using appropriate screws or wall anchors (by others). It is important to use the supplied rubber bumpers - these help space the led panels off of the inner frames to allow clearance for wiring. (see FIG1). Install bumpers as shown, on every other hole.
4. Next install INNER vertical frame, ensuring that the frame is perpendicular to the first frame that was mounted. Secure just like the first frame, using the supplied rubber bumpers in the same pattern as before. Secure the remaining frames in the same manner.(see FIG2). Ensure that the frames are perpendicular to each other, and that the correct measurements insid for the panels is achieved.!

Before mounting the panels, mount the outer TRIM pieces to the inner FRAMES, using a few of the supplied screws. This is to check the alignment of the TRIMS at the miter joint corners. If the Corners need adjustment, loosen the FRAME screws slightly to position the miter for a better "look". Retighten the FRAME screws when position is correct. Remove the TRIMS EXCEPT for the bottom most FRAME/TRIM. Ensure that ALL of the TRIM screws are in place and tight before mounting the panel.

PANEL INSTALLATION

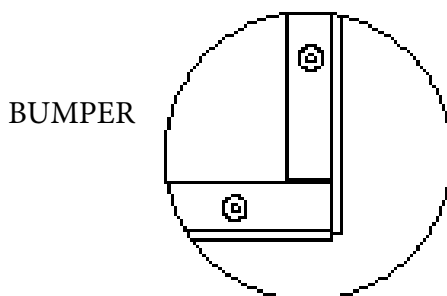
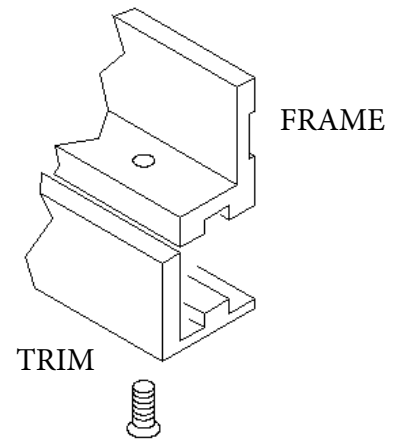
5. Carefully place the bottom edge of the led panel into the channel that was created by mating the bottom FRAME and TRIM segments together. While supporting the led panel (DO NOT FLEX!) , make the wiring connections between the drivers and the panel wires. Connect the panel BLACK (-) wire to the driver neg(-) wire, and the panel RED (+) to the driver positive (+) wire. Use suitable wire nuts or butt connectors (by others).
6. Carefully push the panel upright and begin to attach the remaining TRIMS to the FRAMES with the supplied flat head allen screws. Ensure that there are no pinched wires. Fixture is ready to be energized.



L1 = 59-1/4" MIN.
L2 = 109-1/4" MIN.
THICKNESS= ~1.6"

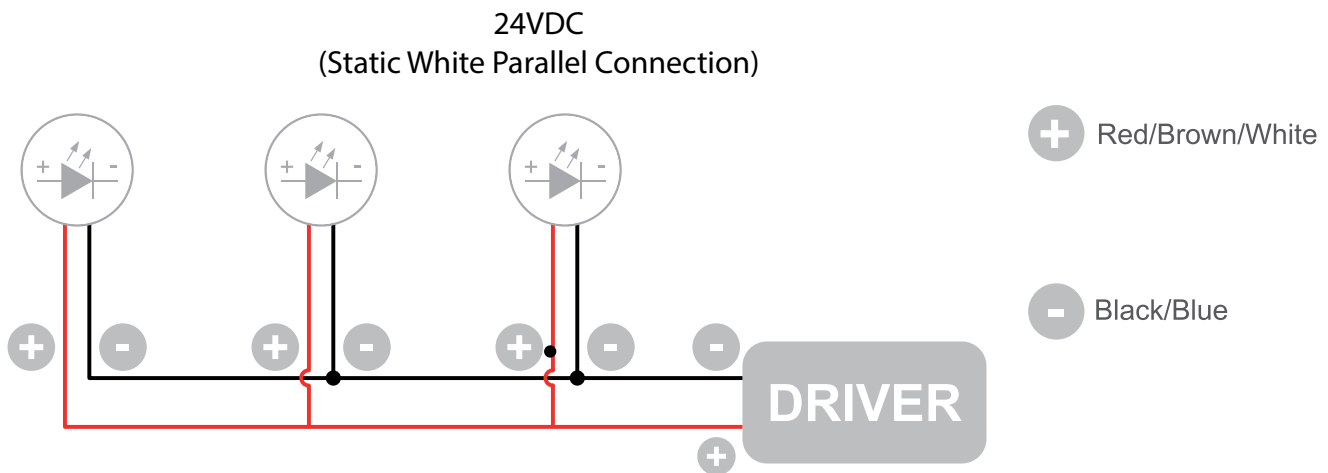
NOTE:
PANEL WEIGHT IS
APPROX 200 LBS EA.
SIZE MOUNTING
HARDWARE
ACCORDINGLY.

FRAMING
SQUARE



- It is the contractor's responsibility to install Remote Driver in a suitable electrical enclosure.

Wiring Diagram



The individual lamps must be connected in parallel. Only power up the system once all the lamps have being connected.

- Only power up the system once all the lamps are connected. Connecting an individual lamp to an active power supply may cause the lamp to break due to over-voltage.
- Lamps and power supply units must be installed in well-ventilated boxes or locations to allow a natural heat diffusion and avoid the devices overheating.
- On the power system, install a surge protection device to reduce the intensity of any voltage spikes to protect the lighting fixtures from the risk of damage.
- Fixture NOT suitable for covering with thermally insulating material.