

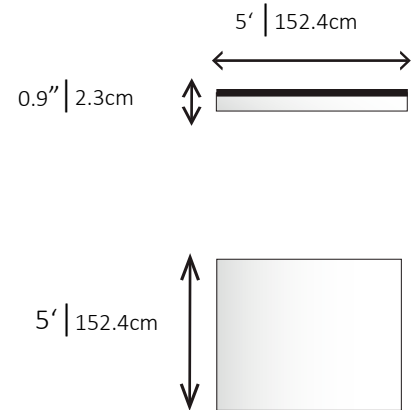
Cloud 9 is a fully uniform, custom-sized LED luminous panel for wall or ceiling mount. Size is customizable and the frame is made of aluminum with five standard finishes, custom finish on request. 24VDC remote power supply.



TECHNICAL DATA

Wattage / Input	Various Based on Size - Consult Factory
Power Supply	Remote 24VDC
Construction	Body: Aluminum, Acrylic Lens: Opal Diffuser
CCT	3000K, 3500K, 4000K
CRI	>80
Delivered Lumens	4560 lm (3000K, 5' x 5' version)
Efficacy	60 lm/W (3000K, 5' x 5' version)
Optics	Direct / Indirect
Finishes	5 Standard, See Below
Fixture Dimensions	Customizable - Consult Factory
Lumen Maintenance	L80 >75,000 hrs (Ta 40°C)
LED Source	LGP LED (OSRAM)
IP Rating	IP20

Sample Fixture Dimensions (5' x 5')



ORDERING INFORMATION

Example: CL9-L-30-10-Q-ST-60-60. Power Supplies ordered separately.

- - - **Q** - - -

Model No.	CCT	Finish	Driver	Style	Length	Wide
CL9-L	27 - 2700K	02 - Black Suede	Q - Remote 24VDC Driver Required (dimming drivers available)	ST - Standalone	XX - inches	XX - inches
	30 - 3000K	04 - Bronze				
	40 - 4000K	10 - Matte Silver				
	50 - 5000K	11 - White Suede				
		96 - Clear Anodized Satin Aluminum				

****Note****

Values for length must be between 6 in. and 118 in.
Values for width must be between 6 in. and 81 in.
All values must be rounded to the nearest quarter inch.

Job Name/Date:

Fixture Type Designation:

SUGGESTED POWER SUPPLIES

24VDC - For 60" x 60" (5' x 5') version

Part Number	Description	Input/Output	# of Fixtures
PPLT00599	ELV/TRIAC & 0-10V dimming (100 to 0%)	120-277VAC to 24VDC, 96W, Class 2	1-1
PPLT00284	Non-Dim	120-277VAC to 24VDC, 100W, Class 2, DAMP	1-1
PPLT00543	0-10V dimming to 15% (-40°C / -40°F cold weather start)	120-277VAC to 24VDC, 100W, Class 2	1-1

For other size panels and power supply options, consult factory.

Job Name/Date:

Fixture Type Designation: