

CUBE C 1.3

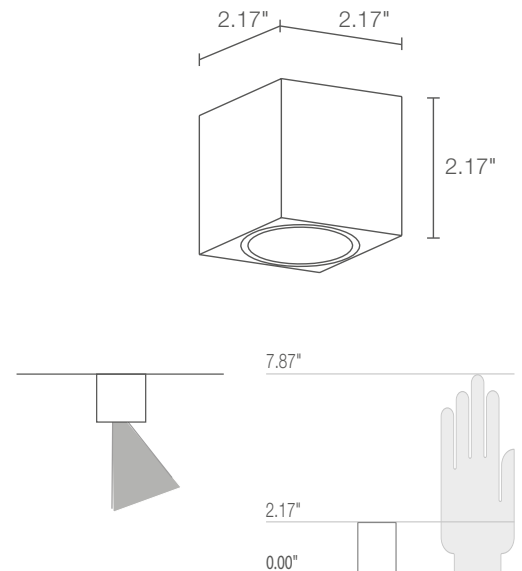
Cube C 1.3 is a wet label ceiling mounted downlight rated for outdoor use. Available in white or blue light as well as RGB with 3 optical options in 3 standard finishes.



TECHNICAL DATA

| | |
|---------------------------|--|
| Wattage / Input | 6W (500mA), 3W (350mA, RGB) |
| Power Supply | Remote, not included. See page 2. |
| Construction | Body: Anti-corrosive aluminum Lens: Frosted plexiglass |
| CCT | 2700K, 3000K, 4000K, 5000K, Blue; RGB |
| CRI | >80 |
| Delivered Lumens | 295 lm (3000K, 28°) 126 lm: (R) 46 lm, (G) 60 lm, (B) 20 lm |
| Efficacy | 49 lm/W (3000K, 28°) 42 lm/W (RGB) |
| Optics | 3 Standard (see below) |
| Finishes | 3 Standard, Custom RAL (see below) |
| Fixture Dimensions | 2.17" l x 2.17" w x 2.17" h |
| Aperture | Ø2.0" |
| Fixture Weight | 0.77 lbs |
| LED Source | 3 Power LEDs |
| Lumen Maintenance | L90,B10 >50,000hrs (Ta 25°C) |
| Color Consistency | 1/4 ANSI BIN |
| Operating Temp. | -4°F to +113°F |
| IP Rating | IP54 |
| IK Rating | N/A |

Fixture Dimensions



ORDERING INFORMATION

Example: CU1332FSE. Power Supplies ordered separately.

| Model No. | CCT | Optics | Finish |
|--|--|--|--|
| CU1332 - 6W (500mA) <i>Static White/Blue Only</i> | F - 2700K 0 - 5000K 5 - 3000K 1 - Blue 9 - 4000K | S - 18° tilted 20° M - 28° tilted 20° L - 36° tilted 20° | E - White H - Anthracite T - Cor-ten C - Custom RAL <i>(consult factory for "C")</i> |
| Model No. | CCT | | |
| CU1331 - 3W (350mA) <i>RGB Only</i> | 6 - RGB | | |

Job Name/Date:

Fixture Type Designation:

SUGGESTED POWER SUPPLIES

500mA

| Part Number | Description | Input/Output | Fixtures 6W |
|-----------------------------|-----------------------|-----------------------------------|----------------|
| PPLT00466-P | 0-10V Dimming to 1% | 120-277VAC to 500mA, 10W, Class 2 | 1-1 |
| PPLT00497 | Phase Dim (120V Only) | 120VAC to 500mA, 12W, Class 2 | 1-2 |
| PPLT00465-P | 0-10V Dimming to 1.0% | 120-277VAC to 500mA 20W, Class 2 | 1-3 |
| PPLT00527 | Phase Dim (120V Only) | 120VAC to 500mA, 25W, Class 2 | 3-4 |
| PPLT00308-P | 0-10V Dimming to 0.1% | 120-277VAC to 500mA, 30W, Class 2 | 1-5 |

Suggested Lutron Compatible Drivers

500mA

| Part Number | Option | Lutron SKU | Dim Range | Description | Input/Output | Fixtures 6W |
|---------------------------|----------------|---------------|--------------|--|-----------------|----------------|
| PPLT00259 | L3DAE / L3DA3W | L3DA | 100%-1% | Hi-Lume™ 1% EcoSystem™ or 1% 3-Wire LED Driver | 120-277VAC, 10W | 1-1 |
| PPLT00195 | L3DAE / L3DA3W | L3DA | 100%-1% | Hi-Lume™ 1% EcoSystem™ or 1% 3-Wire LED Driver | 120-277VAC, 19W | 2-3 |
| PPLT00180 | L3DAE / L3DA3W | L3DA | 100%-1% | Hi-Lume™ 1% EcoSystem™ or 1% 3-Wire LED Driver | 120-277VAC, 27W | 3-4 |

350mA - RGB

| Part Number | Description | Input/Output | Fixtures 3W |
|-----------------------------|-----------------------------|------------------------------------|----------------|
| PPLT00129-P | DMX/RDM (Field Addressable) | 120-277VAC to 500mA, 100W, Class 2 | 1-14 |

For other power supply options consult factory.

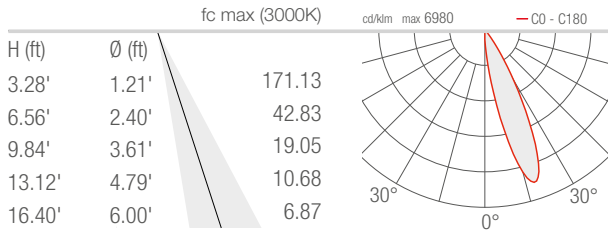
Job Name/Date:

Fixture Type Designation:

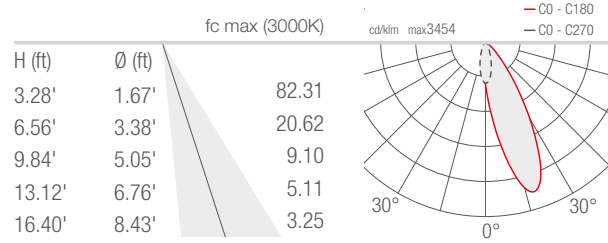
PHOTOMETRIC DATA

Note all Photometry is 3000K

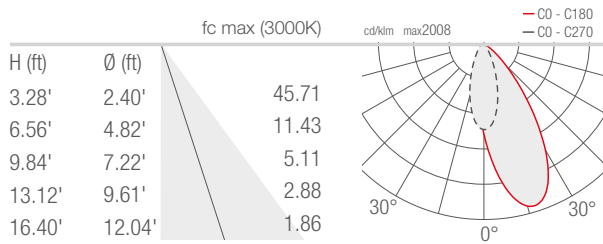
S - 18° tilted 20°



M - 28° tilted 20°



L - 36° tilted 20°



Job Name/Date:

Fixture Type Designation: