

DRY



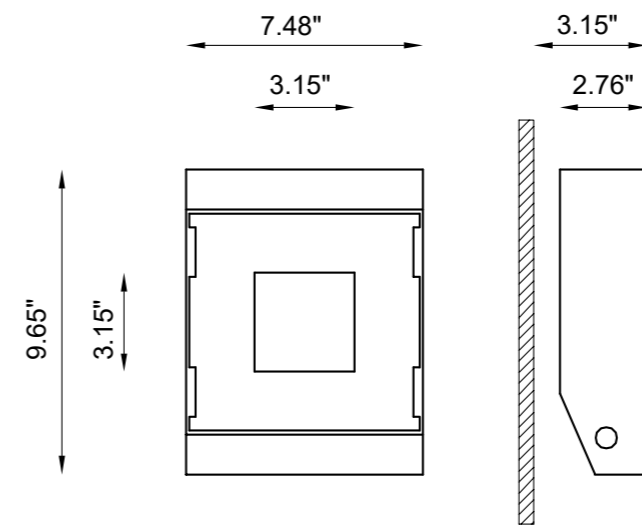
Creating stylish light paths, enhancing rooms, highlighting details: Dry, a totally disappearing luminaire made of AirCoral®, installable on plasterboard or brick walls, is the perfect solution to light spaces up, with particular attention to design and elegance.

designplan® 



79 Trenton Avenue
Frenchtown, NJ 08825

www.designplan.com

Tel: (908) 996-7710
Fax: (908) 996-7042



TECHNICAL FEATURES

| | |
|--------------------------|--|
| Code | BU6113.Z.AC.US |
| Type | Wall recessed 90°  |
| Material | AC: AirCoral® |
| Absorption capacity* | 27.23 ft ² |
| Weight | 3.31 lbs |
| Mounting | Wall recessed |
| IP rating | IP40 |
| Control gear | Constant current electronic driver |
| Cut out for plasterboard | 7.68" x 7.28" |
| Lamp type | LED 500mA  |
| Lamp wattage | 1 x 10W |
| Luminous efficacy | 105 lm/W - 3000K |
| Light distribution | Wide beam 40° |
| Light color | White 3000K (2700K, 4000K also available) |
| Light hole | 3.15" x 3.15" |
| CRI | >90 |

* The absorption capacity per ft³ calculated by the American organization TCNA (Tile Council of North America) is measured for an average room of 8.86' in height and therefore expressed in ft²