

DX STEM Ø1.5"

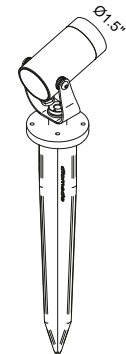
DX Stem is an IP65-rated, outdoor floodlight for ground installation on a spiked stem that is extremely versatile due to its adjustability and low luminance. Available in 2 diameter sizes, each with 3 different stem heights and 2 optic options available. It comes in natural aluminum with 3 standard finishes for the accessories.



TECHNICAL DATA

Wattage / Input	3W (24VDC)
Power Supply	Remote, not included. See page 2.
Construction	Body: Turned Anodized Aluminum Lens: Tempered, Transparent Glass
CCT	2700K, 3000K, 4000K
CRI	>80
BUG Rating	B0-U0-G0
Delivered Lumens	103 lm (18°, 3000K) 72 lm (36°, 3000K)
Efficacy	34.3 lm/W (18°, 3000K) 24.0 lm/W (36°, 3000K)
Optics	18°, 36°
Finishes	Natural Aluminum & 3 Standard, See Below
Fixture Dimensions	Ø1.50" x 2.36", 6.30", 19.69" h
IP Rating	IP65
Impact Resistance	IK06

Fixture Dimensions



ORDERING INFORMATION

Example: D900412079.US. Power Supplies / Accessories ordered separately.

D9004				US
Model #	CCT	Description (Diameter, Optic, Height)	Finish	
D9004	32 - 2700K	05 - Ø1.5", 18°, 2.4" h, honeycomb	6 - Anod. Aluminum	US
	12 - 3000K	06 - Ø1.5", 18°, 6.3" h, honeycomb	9 - Anod. Bronze	
	22 - 4000K	07 - Ø1.5", 18°, 19.7" h, honeycomb	7 - Anod. Black	
		24 - Ø1.5", 18°, 2.4" h, NO honeycomb		
		25 - Ø1.5", 18°, 6.3" h, NO honeycomb		
		26 - Ø1.5", 18°, 19.7" h, NO honeycomb		
		08 - Ø1.5", 36°, 2.4" h, honeycomb		
		09 - Ø1.5", 36°, 6.3" h, honeycomb		
		10 - Ø1.5", 36°, 19.7" h, honeycomb		
		27 - Ø1.5", 36°, 2.4" h, NO honeycomb		
		28 - Ø1.5", 36°, 6.3" h, NO honeycomb		
		29 - Ø1.5", 36°, 19.7" h, NO honeycomb		

Job Name/Date:

Fixture Type Designation:

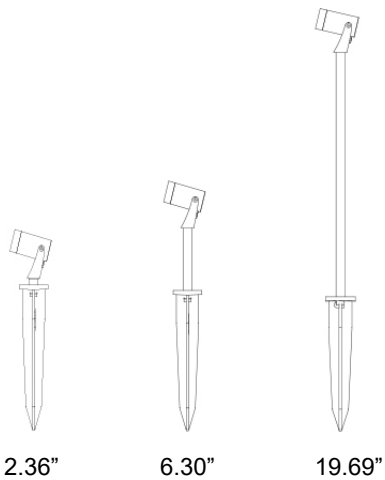
SUGGESTED POWER SUPPLIES

24VDC

Part Number	Description	Input/Output	# of Fixtures
PPLT00128	Non-Dim	120VAC to 24VDC, 6W, Class 2, IP65	1-1
PPLT00632	0-10V Dimming (Dim to Off)	120-277VAC to 24VDC, 12W, Class 2	1-3
PPLT00155	Non-Dim	120VAC to 24VDC, 30W, Class 2	1-8
PPLT00157	Non-Dim	120VAC to 24VDC, 60W, Class 2	1-16
PPLT00599	ELV / TRIAC & 0-10V Dimming (100 to 0%)	120-277VAC to 24VDC, 96W, Class 2	1-25
PPLT00158	Non-Dim	120VAC to 24VDC, 100W, Class 2	1-26
PPLT00543	0-10V Dimming to 15% (-40°C / -40°F cold weather start)	120-277VAC to 24VDC, 100W, Class 2	4-26

For other power supply options consult factory.

POLE HEIGHTS



2.36"

6.30"

19.69"

ACCESSORIES

DX Ø1.5"



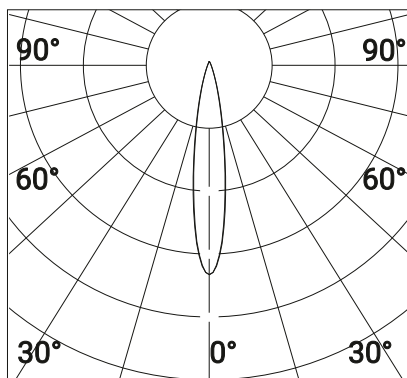
D90117
Tube Frame



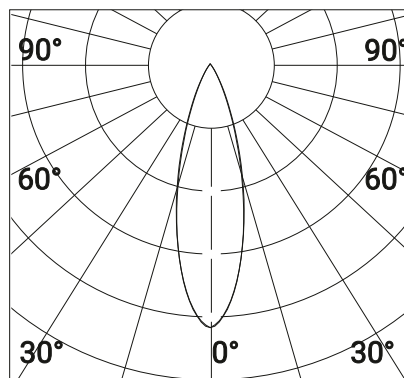
D90127
Eyelid Frame

PHOTOMETRIC DATA

18°



36°



Job Name/Date:

Fixture Type Designation: