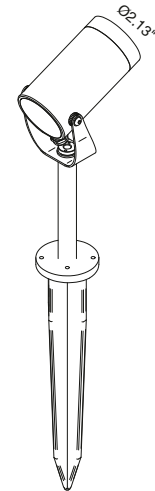


DX STEM Ø2.1"

DX Stem is an IP65-rated, outdoor floodlight for ground installation on a spiked stem that is extremely versatile due to its adjustability and low luminance. Available in 2 diameter sizes, each with 3 different stem heights and 2 optic options available. It comes in natural aluminum with 3 standard finishes for the accessories.



Fixture Dimensions



TECHNICAL DATA

Wattage / Input	6.3W (24VDC)
Power Supply	Remote, not included. See page 2.
Construction	Body: Turned Anodized Aluminum Lens: Tempered, Transparent Glass
CCT	2700K, 3000K, 4000K
CRI	>80
BUG Rating	B1-U0-G0 (26°, 4000K)
Delivered Lumens	264 lm (26°, 3000K) 142 lm (52°, 3000K)
Efficacy	41.9 lm/W (26°, 3000K) 22.5 lm/W (52°, 3000K)
Optics	26°, 52°
Finishes	Natural Aluminum, 3 Standard, See Below
Fixture Dimensions	Ø2.13" x 2.76", 6.69", 20.08" h
IP Rating	IP65
Impact Resistance	IK07

ORDERING INFORMATION

Example: D900412119.US Accessories ordered separately.

D9004				US
Model #	CCT	Description (Diameter, Optic, Height)	Finish	US
D9004	32 - 2700K	11 - Ø2.1", 26°, 2.8" h, honeycomb	6 - Anod. Aluminum	
	12 - 3000K	12 - Ø2.1", 26°, 6.7" h, honeycomb	9 - Anod. Bronze	
	22 - 4000K	13 - Ø2.1", 26°, 20.1" h, honeycomb	7 - Anod. Black	
		30 - Ø2.1", 26°, 2.8" h, NO honeycomb		
		31 - Ø2.1", 26°, 6.7" h, NO honeycomb		
	32 - Ø2.1", 26°, 20.1" h, NO honeycomb			
	14 - Ø2.1", 52°, 2.8" h, honeycomb			
	15 - Ø2.1", 52°, 6.7" h, honeycomb			
	16 - Ø2.1", 52°, 20.1" h, honeycomb			
	33 - Ø2.1", 52°, 2.8" h, NO honeycomb			
	34 - Ø2.1", 52°, 6.7" h, NO honeycomb			
	35 - Ø2.1", 52°, 20.1" h, NO honeycomb			

Job Name/Date:

Fixture Type Designation:

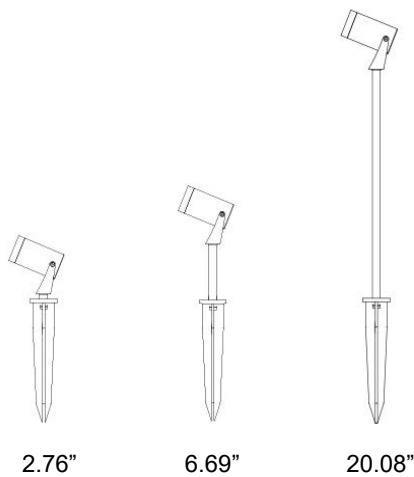
SUGGESTED POWER SUPPLIES

24VDC

Part Number	Description	Input/Output	# of Fixtures
PPLT00632	0-10V Dimming (Dim to Off)	120-277VAC to 24VDC, 12W, Class 2	1-1
PPLT00155	Non-Dim	120VAC to 24VDC, 30W, Class 2	1-3
PPLT00157	Non-Dim	120VAC to 24VDC, 60W, Class 2	1-7
PPLT00599	ELV / TRIAC & 0-10V Dimming (100 to 0%)	120-277VAC to 24VDC, 96W, Class 2	1-25
PPLT00158	Non-Dim	120VAC to 24VDC, 100W, Class 2	1-12
PPLT00543	0-10V Dimming to 15% (-40°C / -40°F cold weather start)	120-277VAC to 24VDC, 100W, Class 2	2-12

For other power supply options consult factory.

POLE HEIGHTS



ACCESSORIES

DX Ø2.1"



D90157
Tube Frame



D90167
Eyelid Frame



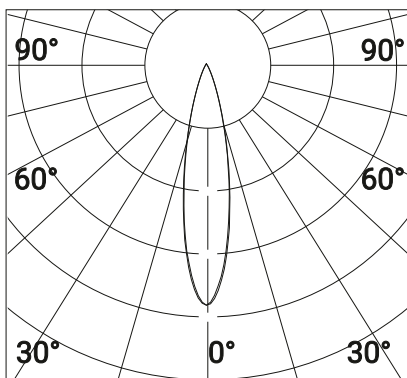
D9005
3-4 Way - 4 Poles
Terminal Block IP68



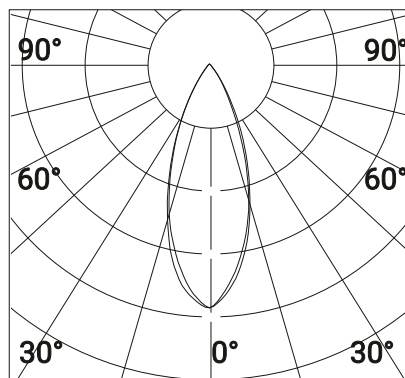
D9004
2 Way - 3 Poles
Terminal Block IP68

PHOTOMETRIC DATA

26°



52°



Job Name/Date:

Fixture Type Designation: