

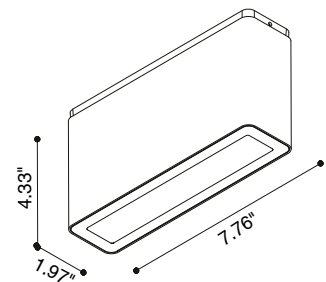
Divar Roof is an IP65 rated, surface mounted, LED luminaire that is suitable for installation on ceilings. It is available in 4 optics options and 5 standard finishes. Also available in a wall mounted version - Divar Wall.



TECHNICAL DATA

Wattage / Input	12.1W, 5.7W (diffuse version)
Power Supply	Integral 120VAC
Construction	Body/Base: Aluminum Lens: Transparent or Sandblasted Glass
CCT	2700K, 3000K, 4000K
CRI	>80
BUG RATING	B2-U1-G0 (32°, 3000K)
Delivered Lumens	1177 lm (32°, 3000K) 527 lm (diffuse, 3000K)
Efficacy	76.4 lm/W (32°, 3000K) 73.2 lm/W (diffuse, 3000K)
Optics	19°, 32°, 65°, Diffuse
LED Source	Power LED or Mid Power LED (diffuse version)
Finishes	5 Standard, See Below
Fixture Dimensions	7.76" l x 2.76" w x 4.33" h
IP Rating	IP65
Impact Resistance	IK06

Fixture Dimensions



ORDERING INFORMATION

Example: D901011073.US

D9010				US
Model No.	CCT	Optics	Finish	
D9010	31 - 2700K 11 - 3000K 21 - 4000K	04 - 19° 06 - 32° 07 - 65° 05 - Diffuse (5.7W)	2 - White 3 - Sand 4 - Graphite 5 - Aluminum 8 - Corten	US

Job Name/Date:

Fixture Type Designation:

FINISHES



white



sand



graphite



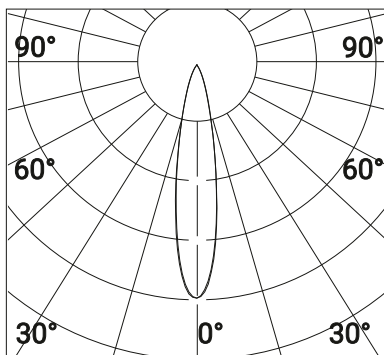
aluminum



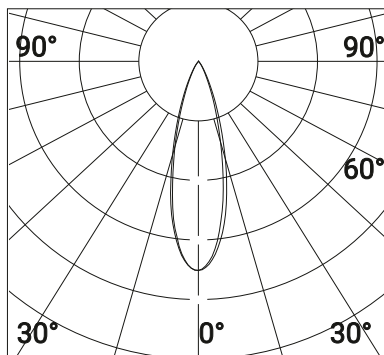
corten

PHOTOMETRIC DATA

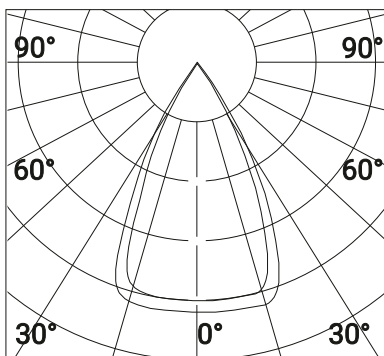
19°



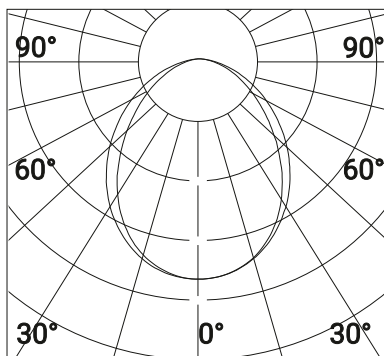
32°



65°



Diffuse



Job Name/Date:

Fixture Type Designation: