

DIVAR WALL

Divar Wall is an IP65 rated, surface mounted, LED luminaire that is suitable for installation on walls. It is available in 4 optics options and 5 standard finishes. Also available in a ceiling mounted version - Divar Roof.

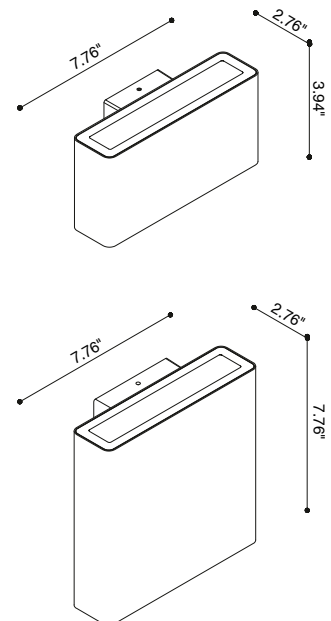


ADA Compliant

TECHNICAL DATA

Wattage / Input	2 x 15.4W (double), 15.4W (single) Diffuse: 2 x 7.2W (double), 7.2W (single)
Power Supply	Integral 120VAC
Construction	Body/Base: Aluminum Lens: Transparent or Sandblasted Glass
CCT	2700K, 3000K
CRI	>80
BUG Rating	B2-U1-G0 (32°, 3000K)
Delivered Lumens	1177 lm per beam (32°, 3000K) 527 lm per beam (diffuse, 3000K)
Efficacy	76.4 lm/W per beam (32°, 3000K) 73.2 lm/W per beam (diffuse, 3000K)
Optics	19°, 32°, 65°, Diffuse
LED Source	Power LED (12.1W) or Mid Power LED (5.7W)
Finishes	5 Standard, See Below
Fixture Dimensions	7.76" l x 2.76" w x 3.94" h (single beam) 7.76" l x 2.76" w x 7.76" h (double beam)
IP Rating	IP65
Impact Resistance	IK06

Fixture Dimensions



ORDERING INFORMATION

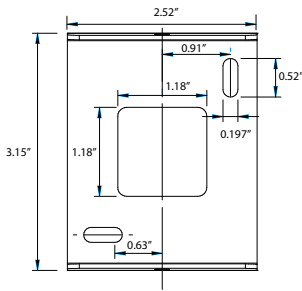
Example: D901011104.US

D9010				US
Model #	CCT	Optics / Wattage	Finish	
D9010	31 - 2700K 11 - 3000K	00 - 19°, 2 x 15.4W (double) 01 - 19°, 15.4W (single) 10 - 32°, 2 x 15.4W (double) 12 - 32°, 15.4W (single) 11 - 65°, 2 x 15.4W (double) 13 - 65°, 15.4W (single) 03 - Diffuse, 2 x 7.2W (double) 02 - Diffuse, 7.2W (single)	2 - White 3 - Sand 4 - Graphite 5 - Aluminum 8 - Corten	US

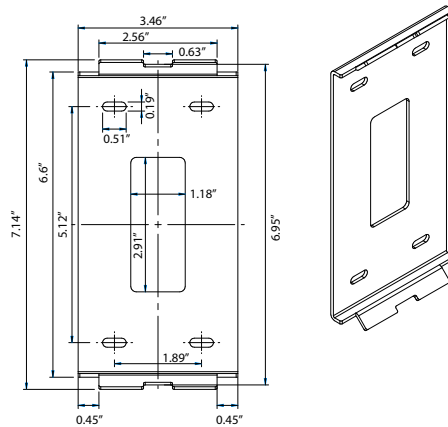
Job Name/Date:

Fixture Type Designation:

ACCESSORIES - Installation



Mounting Plate - Single
INCLUDED



Mounting Plate - Double
INCLUDED

FINISHES



white



sand



graphite



aluminum



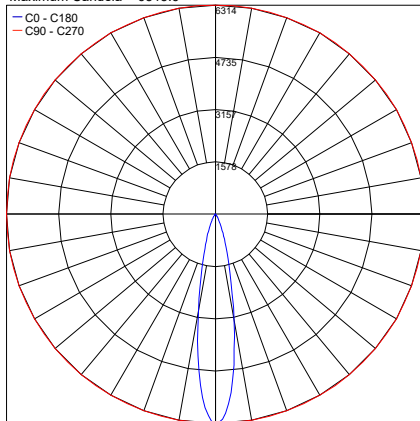
corten

PHOTOMETRIC DATA

Note: all photometry is 3000K

Maximum Candela = 6313.6

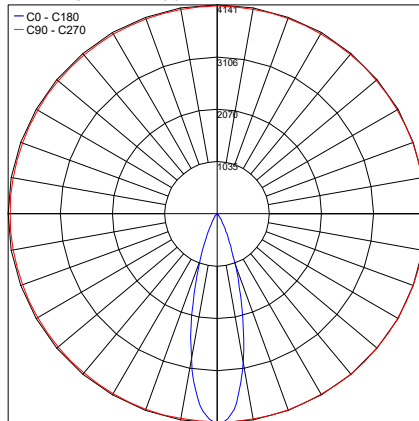
— C0 - C180
— C90 - C270



PHOTOMETRIC FILENAME : DIVAR WALL MONO 19°_3000K.IES

Maximum Candela = 4140.9

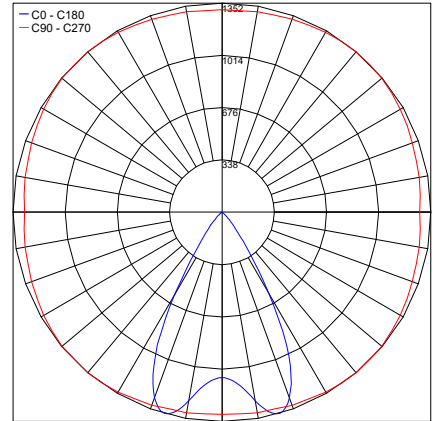
— C0 - C180
— C90 - C270



PHOTOMETRIC FILENAME : DIVAR WALL MONO 32°_3000K.IES

Maximum Candela = 1352.2

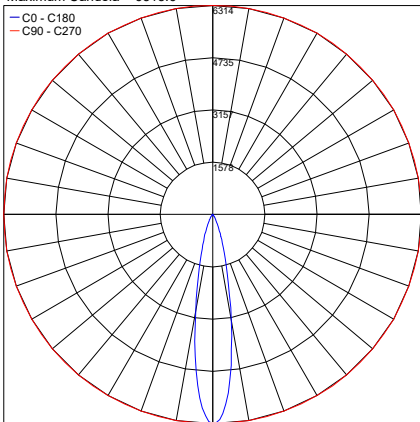
— C0 - C180
— C90 - C270



PHOTOMETRIC FILENAME : DIVAR WALL MONO 65°_3000K.IES

Maximum Candela = 6313.6

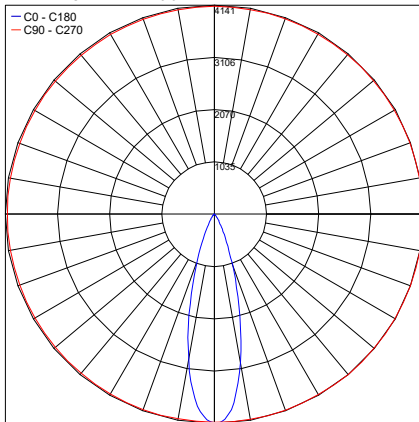
— C0 - C180
— C90 - C270



PHOTOMETRIC FILENAME : DIVAR WALL MONO 19°_3000K.IES

Maximum Candela = 4140.9

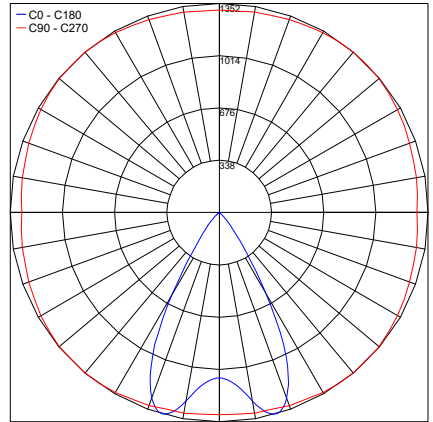
— C0 - C180
— C90 - C270



PHOTOMETRIC FILENAME : DIVAR WALL MONO 32°_3000K.IES

Maximum Candela = 1352.2

— C0 - C180
— C90 - C270



PHOTOMETRIC FILENAME : DIVAR WALL MONO 65°_3000K.IES

Job Name/Date:

Fixture Type Designation: