

DIVAR WALL

Divar Wall is an IP65 rated, surface mounted, LED luminaire that is suitable for installation on walls. It is available in 4 optics options and 5 standard finishes. Also available in a ceiling mounted version - Divar Roof.

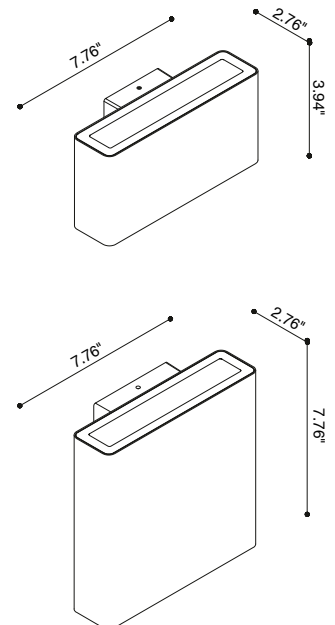


ADA Compliant

TECHNICAL DATA

Wattage / Input	2 x 12.1W (double), 12.1W (single) Diffuse: 2 x 5.7W (double), 5.7W (single)
Power Supply	Integral 120VAC
Construction	Body/Base: Aluminum Lens: Transparent or Sandblasted Glass
CCT	2700K, 3000K, 4000K
CRI	>80
BUG Rating	B2-U1-G0 (32°, 3000K)
Delivered Lumens	1177 lm per beam (32°, 3000K) 527 lm per beam (diffuse, 3000K)
Efficacy	76.4 lm/W per beam (32°, 3000K) 73.2 lm/W per beam (diffuse, 3000K)
Optics	19°, 32°, 65°, Diffuse
LED Source	Power LED (12.1W) or Mid Power LED (5.7W)
Finishes	5 Standard, See Below
Fixture Dimensions	7.76" l x 2.76" w x 3.94" h (single beam) 7.76" l x 2.76" w x 7.76" h (double beam)
IP Rating	IP65
Impact Resistance	IK06

Fixture Dimensions



ORDERING INFORMATION *Example: D901011104.US*

D9010				US
Model #	CCT	Optics / Wattage	Finish	
D9010	31 - 2700K	00 - 19°, 2 x 12.1W (double)	2 - White	US
	11 - 3000K	01 - 19°, 12.1W (single)	3 - Sand	
	21 - 4000K	10 - 32°, 2 x 12.1W (double)	4 - Graphite	
		12 - 32°, 12.1W (single)	5 - Aluminum	
	11 - 65°, 2 x 12.1W (double)	8 - Corten		
	13 - 65°, 12.1W (single)			
	03 - Diffuse, 2 x 5.7W (double)			
	02 - Diffuse, 5.7W (single)			

Job Name/Date:

Fixture Type Designation:

FINISHES



white



sand



graphite



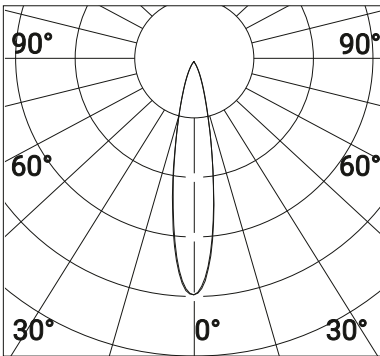
aluminum



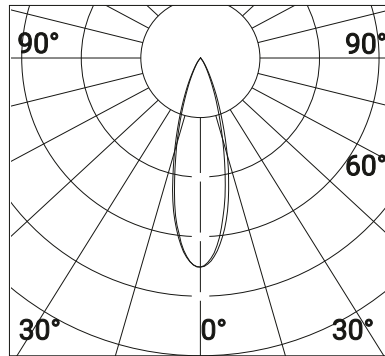
corten

PHOTOMETRIC DATA

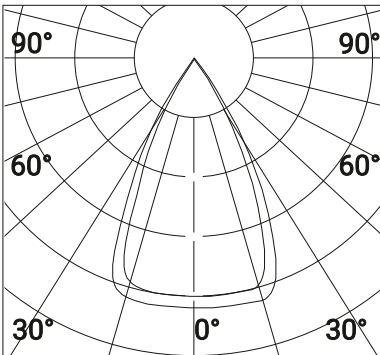
19°



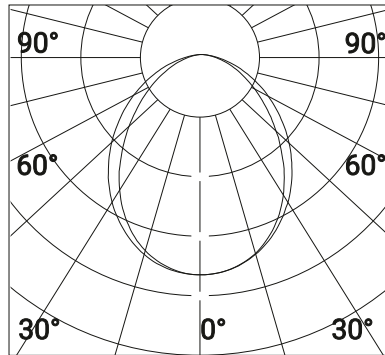
32°



65°



Diffuse



Job Name/Date:

Fixture Type Designation: