

Dotz Dorado is a round wet label LED downlight with on board 0-10V dimming which can be installed recessed with 3 springs or panel mounted with 1.0" conduit nut on the threaded part of the body. It is available with a clear, frosted or opal lens and CNC machined trim in aluminum, brass or stainless steel.



**MADE IN THE USA**  
Complies with LM79 and LM80  
Complies with ARRA

Fixture Dimensions  
See Drawing on page 2.

## TECHNICAL DATA

<b>Wattage / Input</b>	1W, 3W (24VDC)
<b>Power Supply</b>	Remote, not included. See page 2.
<b>Construction</b>	Body: Die Cast Aluminum Lens: 3/16" Tempered Glass Cable Length: 2.0'
<b>CCT</b>	3000K, 4000K, 5000K (Static color on request)
<b>CRI</b>	>80
<b>Delivered Lumens</b>	24 lm (1W, 5000K, frosted, no optic) 8.3 lm (1W, 5000K, opal, no optic) 81 lm (3W, 3000K, clear, 25°) 42 lm (3W, 3000K, frosted, no optic) 14.4 lm (3W, 3000K, opal, no optic)
<b>Efficacy</b>	24 lm/W (1W, 5000K, Frosted) 8 lm/W (1W, 5000K, Opal) 27 lm/W (3W, 3000K, clear, 25°) 14 lm/W (3W, 3000K, frosted, no optic) 4.8 lm/W (3W, 3000K, opal, no optic)
<b>Optics</b>	6°, 25°, 6°x25° (only available on Clear Lens)
<b>Finishes</b>	7 Standard, See Below
<b>LED Source</b>	3W CREE LED
<b>Fixture Dimensions</b>	Ø2.36" x 4.19" I
<b>Body</b>	Ø1.16"
<b>Cut-out Dimension</b>	Ø1.25"
<b>IP Rating</b>	IP65, Weatherproof Gland

## ORDERING INFORMATION

*Example: DOR-3-30-T-0-11. Power Supplies ordered separately.*

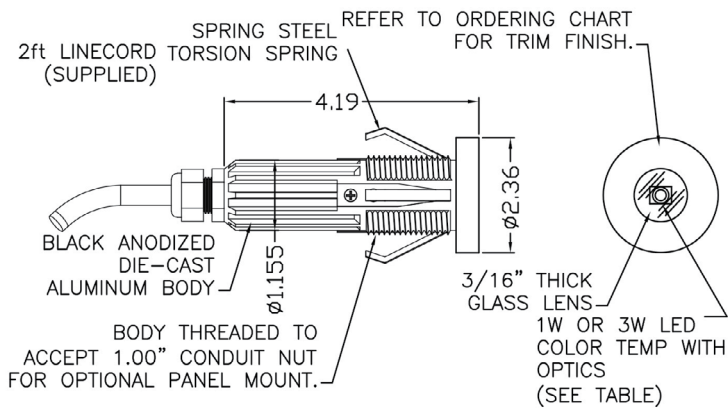
DOR - [ ] - [ ] - [ ] - [ ] - [ ]

Model No.	Wattage	CCT	Lens	Optics	Finish
DOR - Dorado	1 - 1W 3 - 3W	30 - 3000K 40 - 4000K 50 - 5000K <i>Note: Static Red, Green, Blue, Amber on request.</i>	T - Clear Tempered Glass G - Frosted Glass X - Opal Glass	0 - None 1 - 6° Spot 2 - 25° Medium 3 - 6°x25° Asymmetric <i>Note: Optics are for use with "T" Clear glass lens. No optics are used with "G" Frosted and "X" Opal glass lens.</i>	00 - Semi-Gloss Black 02 - Black Suede TS - Silver 11 - White Suede 96 - Clear Anodized Satin Aluminum PN - Polished Nickel SS - Stainless Steel

Job Name/Date:

Fixture Type Designation:

## FIXTURE DIMENSIONS



## SUGGESTED POWER SUPPLIES

24VDC

Part Number	Description	Input/Output	# of Fixtures	
			1W	3W
<a href="#">PPLT00128</a>	Non-Dim	120VAC to 24VDC, 6W, Class 2, IP65	1-4	1-1
<a href="#">PPLT00632</a>	0-10V Dimming (Dim to Off)	120-277VAC to 24VDC, 12W, Class 2	1-9	1-3
<a href="#">PPLT00155</a>	Non-Dim	120VAC to 24VDC, 30W, Class 2	1-24	1-8
<a href="#">PPLT00157</a>	Non-Dim	120VAC to 24VDC, 60W, Class 2	1-48	1-16
<a href="#">PPLT00599</a>	ELV / TRIAC & 0-10V Dimming (100 to 0%)	120-277VAC to 24VDC, 96W, Class 2	1-76	1-25
<a href="#">PPLT00158</a>	Non-Dim	120VAC to 24VDC, 100W, Class 2	1-80	1-26
<a href="#">PPLT00543</a>	0-10V Dimming to 15% (-40°C / -40°F cold weather start)	120-277VAC to 24VDC, 100W, Class 2	10-80	4-26

## Suggested Lutron Compatible

Part Number	Option	Lutron SKU	Dim Range	Description	Input/Output	# of Fixtures	
						1W	3W
<a href="#">PPLT00530</a>	L3DAE / L3DA3W	L3DA	100%-1%	Hi-Lume™ 1% EcoSystem™ or 1% 3-Wire LED Driver	120-277VAC to 24VDC, 96W, Class 2	1-76	1-25

For other power supply options consult factory.

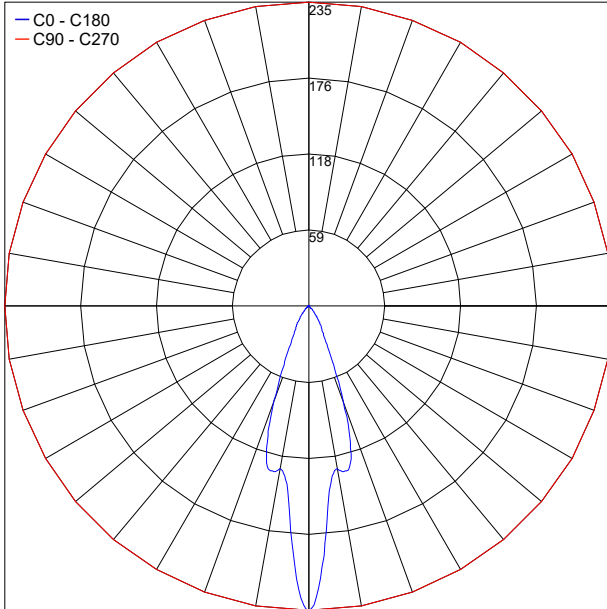
Job Name/Date:

Fixture Type Designation:

## PHOTOMETRIC DATA

Dotz Round 3W 3000K Clear Lens - Medium Optic

Maximum Candela = 235



FILENAME : DOTZ 1X3W 3000K ROUND CLEAR LENS MEDIUM OPTIC LTL21264.IES

LTL TEST #21264

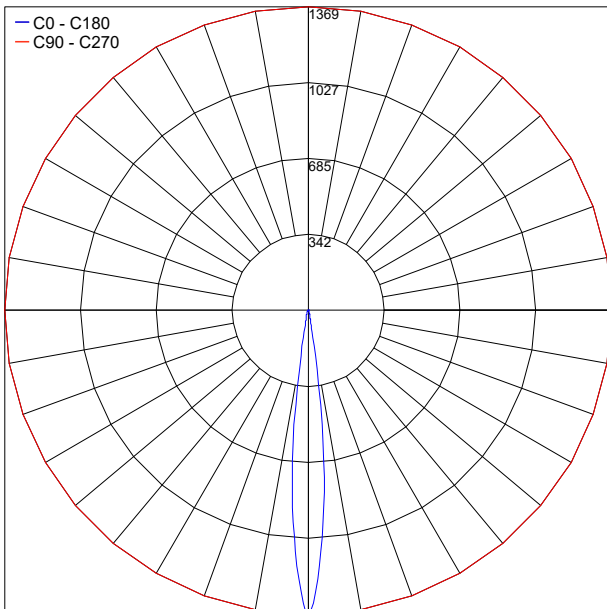
CIRCLE-OF-LIGHT

Ft below	FC nadir	Dia @ 50%
6.0	6.5	3.0
8.0	3.7	4.0
10.0	2.3	5.0
12.0	1.6	6.0
14.0	1.2	7.1
16.0	0.9	8.1

NOTE: 'Dia' spans the edge-points that are half of nadir FC

Dotz Round 3W 3000K Clear Lens - Narrow Optic

Maximum Candela = 1369



FILENAME : DOTZ 1X3W 3000K ROUND CLEAR LENS NARROW OPTIC LTL21260.IES

LTL TEST #21260

CIRCLE-OF-LIGHT

Ft below	FC nadir	Dia @ 50%
6.0	38.0	1.2
8.0	21.4	1.7
10.0	13.7	2.1
12.0	9.5	2.5
14.0	7.0	2.9
16.0	5.3	3.3

NOTE: 'Dia' spans the edge-points that are half of nadir FC

Job Name/Date:

Fixture Type Designation: