

EYE 80 • EYE 125 • EYE 200

Recessed Version

EYE is a ceiling lamp that comes in a recessed or surface-mounted version with 3 sizes each. It offers high luminous efficiency and perfect luminance control with 3 optics options: spot, flood and wide flood.

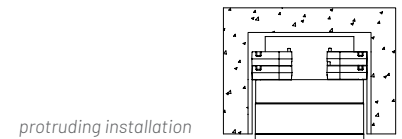
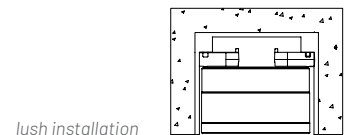
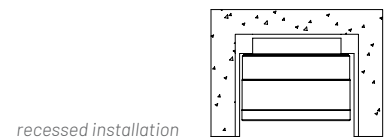


TECHNICAL DATA

Wattage	5W, 12W, 20W
Power Supply	Remote 24VDC - See page 2 (EYE 80) Remote 350mA (EYE 125), 500mA (EYE 200)
Construction	Body: Die-Cast Aluminum Lens: Extra Clear Glass Diffuser
CCT	3000K (2700K, 4000K on request)
BUG Rating	B1-U0-G0 (EYE 80 40° & 60°) B1-U1-G0 (EYE 125 40° & 60°) B2-U1-G0 (EYE 200 40° & 60°)
CRI	>90
Delivered Lumens	400 lm (EYE 80, 40°, 3000K) 950 lm (EYE 125, 40°, 3000K) 1400 lm (EYE 200, 40°, 3000K)
Efficacy	80 lm/W (EYE 80, 40°, 3000K) 63 lm/W (EYE 125, 40°, 3000K) 58 lm/W (EYE 200, 40°, 3000K)
Optics	20°, 40°, 60°
Finishes	2 Standard, See Below
Fixture Dimensions	Ø3.22" x 1.97" (EYE 80) Ø5.12" x 3.03" (EYE 125) Ø8.46" x 4.84" (EYE 200)
Aperature	Ø3.15" (EYE 80) Ø4.92" (EYE 125) Ø7.87" (EYE 200)
Lumen Maintenance	L70 >50,000hrs (Ta 40°C)
Color Consistency	3-Step MacAdam
IP Rating	IP65
Impact Resistance	IK08

Fixture Dimensions - see page 2

Installation Options (photos on page 3)



ORDERING INFORMATION

Example: LNEY60ISO FHB7ZU.US. Power Supplies / Accessories ordered separately.

LNEY					US
Model #	Size	Optics	Power	Finish	
LNEY	50 ISO - EYE 80 (5W) 60 ISO - EYE 125 (12W) 80 ISO - EYE 200 (20W)	S - 20° Spot F - 40° Flood W - 60° Wide Flood	HB7Z - Remote Driver (EYE 80) HBAZ - Remote Driver (EYE 125) HBDZ - Remote Driver (EYE 200)	U - White H - Gray	US

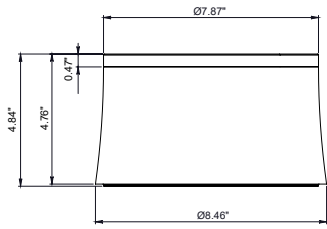
Job Name/Date:

Fixture Type Designation:

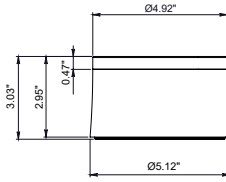
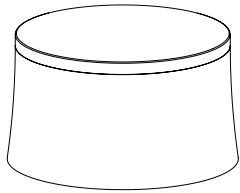
EYE 80 • EYE 125 • EYE 200

Recessed Version

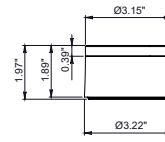
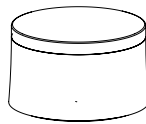
FIXTURE DIMENSIONS



EYE 200



EYE 125



EYE 80



Job Name/Date:

Fixture Type Designation:

Recessed Version

datasheet

SUGGESTED POWER SUPPLIES

24VDC - EYE 80 (5W)

Part Number	Description	Input/Output	# of Fixtures - 5W
PPLT00149	Non-Dim	120VAC to 24VDC, 10W, Class 2, IP65	1-1
PPLT00632	0-10V Dimming (Dim to Off)	120-277VAC to 24VDC, 12W, Class 2	1-1
PPLT00155	Non-Dim	120VAC to 24VDC, 30W, Class 2	1-4
PPLT00709	ELV / TRIAC & 0-10V Dimming	120-277VAC to 24VDC, 96W, Class 2, DAMP	1-15
PPLT00543	0-10V Dimming to 15% (-40°C / -40°F cold weather start)	120-277VAC to 24VDC, 100W, Class 2	2-16

Suggested Lutron Compatible - EYE 80 (5W)

Part Number	Option	Lutron SKU	Dim Range	Description	Input/Output	# of Fixtures
PPLT00500	LTEA2W	LTEA	100%-1%	Hi-Lume™ 1% 2-Wire LED Driver (120V forward phase only)	120VAC to 24VDC, 40W, Class 2	1-6
PPLT00273	L3DAE / L3DA3W	L3DA	100%-1%	Hi-Lume™ 1% EcoSystem™ or 1% 3-Wire LED Driver	120-277VAC to 24VDC, 40W, Class 2	1-6

350mA - EYE 125 (12W)

Part Number	Description	Input/Output	# of Fixtures - 12W
PPLT00468	Phase Dim (120V only)	120VAC to 350mA, 14W, Class 2	1-1
PPLT00308-P	0-10V Dimming to 0.1%	120-277VAC to 350mA, 30W, Class 2	1-1
PPLT00263	Leading / Trailing Edge Dimming to 10% (120V only)	120-277VAC to 350mA, 32W, Class 2	1-1
PPLT00538-P	0-10V Dimming to 0.1% (4 channels)	120-277VAC to 350mA, 100W, Class 2	11 (1-4)

Suggested Lutron Compatible - EYE 125 (12W)

Part Number	Option	Lutron SKU	Dim Range	Description	Input/Output	# of Fixtures
PPLT00271	LTEA2W	LTEA	100%-1%	Hi-Lume™ 1% 2-Wire LED Driver (120V forward phase only)	120VAC to 350mA, 13W, Class 2	1-1
PPLT00516	L3DAE / L3DA3W	L3DA	100%-1%	Hi-Lume™ 1% EcoSystem™ or 1% 3-Wire LED Driver	120-277VAC to 350mA, 13W, Class 2	1-1

500mA - EYE 200 (20W)

Part Number	Description	Input/Output	# of Fixtures - 20W
PPLT00527	Phase Dim (120V only)	120VAC to 500mA, 20W, Class 2, IP66	1-1
PPLT00308-P	0-10V Dimming to 0.1%	120-277VAC to 500mA, 30W, Class 2, DAMP	1-1
PPLT00262	Leading / Trailing Edge Dimming to 10% (120V only)	120-277VAC to 500mA, 32W, Class 2	1-1
PPLT00538-P	0-10V Dimming to 0.1% (4 channels)	120-277VAC to 500mA, 100W, Class 2	1-1 (1-4)

Suggested Lutron Compatible - EYE 200 (20W)

Part Number	Option	Lutron SKU	Dim Range	Description	Input/Output	# of Fixtures
PPLT00195	L3DAE / L3DA3W	L3DA	100%-1%	Hi-Lume™ 1% EcoSystem™ or 1% 3-Wire LED Driver	120-277VAC to 500mA, 19W, Class 2	1-1

For other power supply options consult factory.

Job Name/Date:

Fixture Type Designation:

EYE 80 • EYE 125 • EYE 200

Recessed Version

INSTALLATION TYPES



Recessed - Threaded

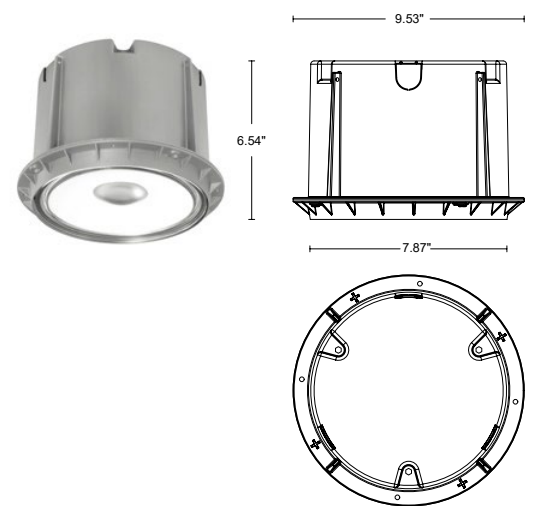
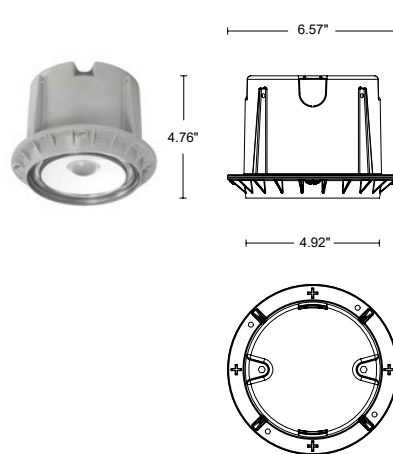
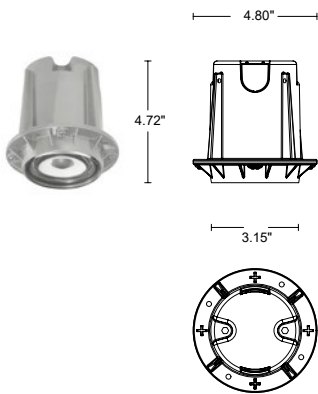


Regressed



Protruding - Trim

ACCESSORIES - Installation (included)



HOUSING BOX - Included

ACCESSORIES - Optional

00KEY50
Leveling Kit

010829600000
Plastering Rim

0303003
Suction Cup
to screw the glass

Job Name/Date:

Fixture Type Designation:

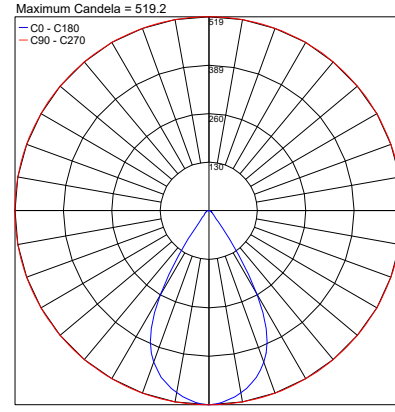
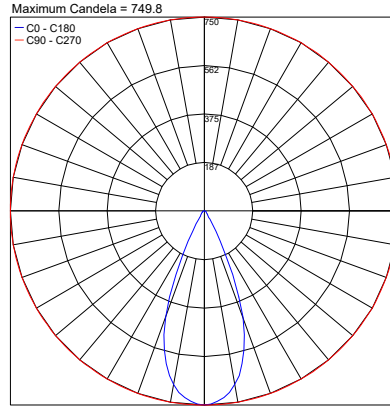
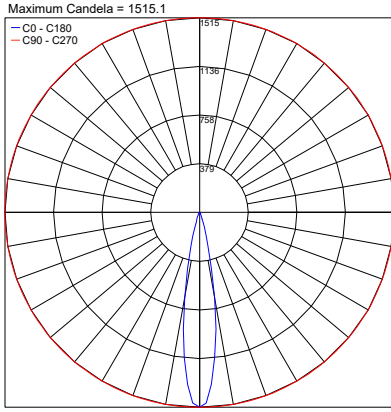
EYE 80 • EYE 125 • EYE 200

Recessed Version

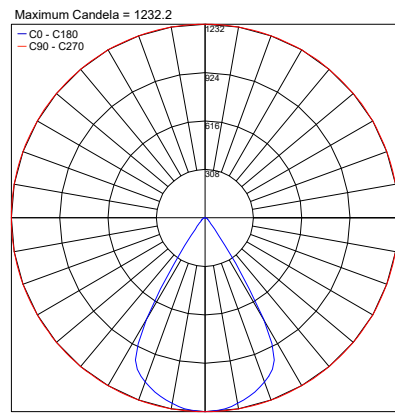
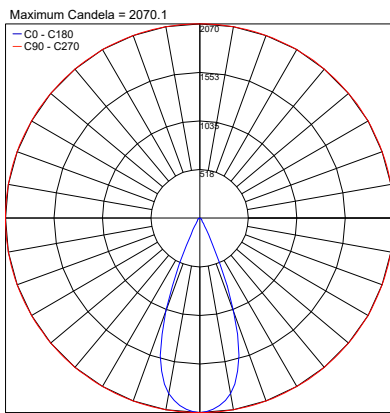
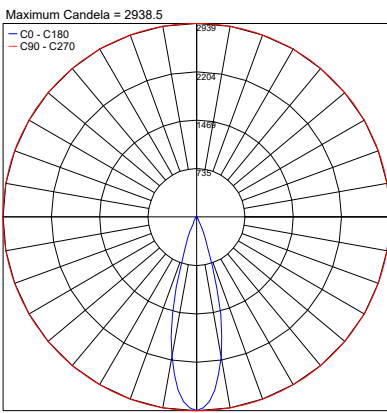
PHOTOMETRIC DATA

Note: All photometric data is 3000K

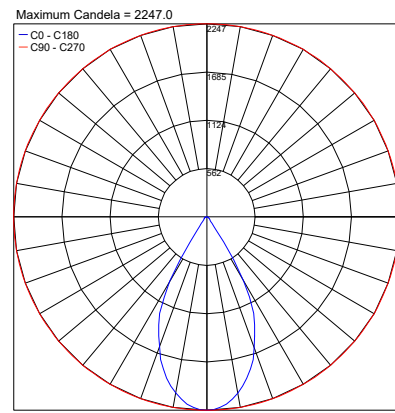
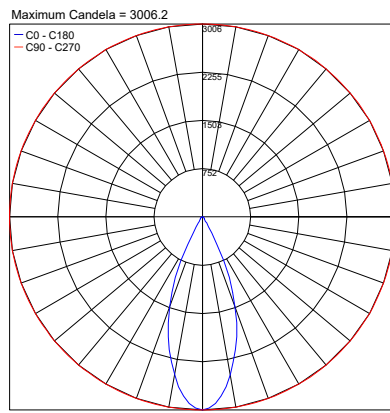
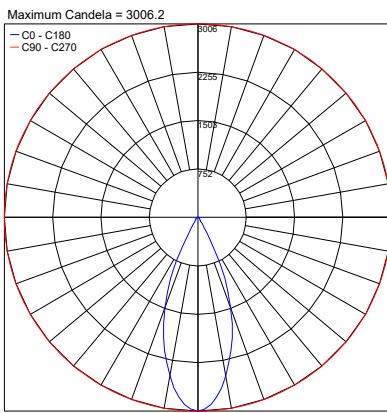
EYE 80



EYE 125



EYE 200



Job Name/Date:

Fixture Type Designation: