

EYE 80 • EYE 125 • EYE 200

Surface Version

EYE is a ceiling lamp that comes in a recessed or surface-mounted version with 3 sizes each. It offers high luminous efficiency and perfect luminance control with 3 optics options: spot, flood and wide flood.



Fixture Dimensions - see page 2

TECHNICAL DATA

Wattage	5W, 12W, 19W
Power Supply	Remote 24VDC - See page 3 (EYE 80) Remote 350mA (EYE 125), 500mA (EYE 200)
Construction	Body: Die-Cast Aluminum Lens: Extra Clear Glass Diffuser
CCT	2700K, 3000K (4000K on request)
BUG Rating	B1-U0-G0 (EYE 80 40° & 60°) B1-U1-G0 (EYE 125 40° & 60°) B2-U1-G0 (EYE 200 40° & 60°)
CRI	>90
Delivered Lumens	400 lm (EYE 80, 40°, 3000K) 950 lm (EYE 125, 40°, 3000K) 1400 lm (EYE 200, 40°, 3000K)
Efficacy	80 lm/W (EYE 80, 40°, 3000K) 63 lm/W (EYE 125, 40°, 3000K) 58 lm/W (EYE 200, 40°, 3000K)
Optics	20°, 40°, 60°
Finishes	5 Standard, See Below
Fixture Dimensions	Ø3.22" x 1.97" (EYE 80) Ø5.12" x 3.03" (EYE 125) Ø8.46" x 4.84" (EYE 200)
Aperature	Ø3.15" (EYE 80) Ø4.92" (EYE 125) Ø7.87" (EYE 200)
Lumen Maintenance	L80, B15 >60,000hrs (Ta 40°C)
Color Consistency	3-Step MacAdam
IP Rating	IP65
Impact Resistance	IK08

ORDERING INFORMATION

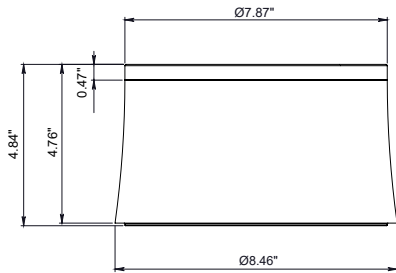
Example: LNEY60POSFHB7ZG.US. Power Supplies / Accessories ordered separately.

LNEY						US
Model #	Size	Optics	CCT	Power	Finish	
LNEY	50 POS - EYE 80 (5W) 60 POS - EYE 125 (12W) 80 POS - EYE 200 (19W)	S - 20° Spot F - 40° Flood W - 60° Wide	Y - 2700K H - 3000K	B7Z - Remote (EYE 80) BAZ - Remote (EYE 125) BDZ - Remote (EYE 200)	L - Graphite V - Oxide U - White G - Black H - Gray	US

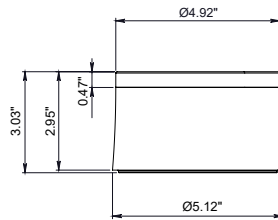
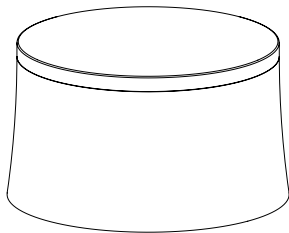
Job Name/Date:

Fixture Type Designation:

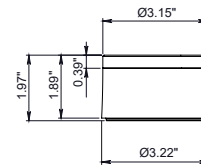
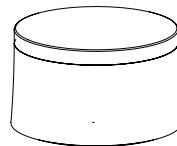
FIXTURE DIMENSIONS



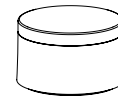
EYE 200



EYE 125



EYE 80



Job Name/Date:

Fixture Type Designation:

Surface Version

datasheet

SUGGESTED POWER SUPPLIES

24VDC - EYE 80 (5W)

Part Number	Description	Input/Output	# of Fixtures - 5W
PPLT00149	Non-Dim	120VAC to 24VDC, 10W, Class 2, IP65	1-1
PPLT00632	0-10V Dimming (Dim to Off)	120-277VAC to 24VDC, 12W, Class 2	1-1
PPLT00155	Non-Dim	120VAC to 24VDC, 30W, Class 2	1-4
PPLT00709	ELV / TRIAC & 0-10V Dimming	120-277VAC to 24VDC, 96W, Class 2, DAMP	1-15
PPLT00543	0-10V Dimming to 15% (-40°C / -40°F cold weather start)	120-277VAC to 24VDC, 100W, Class 2	2-16

Suggested Lutron Compatible - EYE 80 (5W)

Part Number	Option	Lutron SKU	Dim Range	Description	Input/Output	# of Fixtures
PPLT00500	LTEA2W	LTEA	100%-1%	Hi-Lume™ 1% 2-Wire LED Driver (120V forward phase only)	120VAC to 24VDC, 40W, Class 2	1-6
PPLT00273	L3DAE / L3DA3W	L3DA	100%-1%	Hi-Lume™ 1% EcoSystem™ or 1% 3-Wire LED Driver	120-277VAC to 24VDC, 40W, Class 2	1-6

350mA - EYE 125 (12W)

Part Number	Description	Input/Output	# of Fixtures - 12W
PPLT00468	Phase Dim (120V only)	120VAC to 350mA, 14W, Class 2	1-1
PPLT00308-P	0-10V Dimming to 0.1%	120-277VAC to 350mA, 30W, Class 2	1-1
PPLT00263	Leading / Trailing Edge Dimming to 10% (120V only)	120-277VAC to 350mA, 32W, Class 2	1-1
PPLT00538-P	0-10V Dimming to 0.1% (4 channels)	120-277VAC to 350mA, 100W, Class 2	11 (1-4)

Suggested Lutron Compatible - EYE 125 (12W)

Part Number	Option	Lutron SKU	Dim Range	Description	Input/Output	# of Fixtures
PPLT00271	LTEA2W	LTEA	100%-1%	Hi-Lume™ 1% 2-Wire LED Driver (120V forward phase only)	120VAC to 350mA, 13W, Class 2	1-1
PPLT00516	L3DAE / L3DA3W	L3DA	100%-1%	Hi-Lume™ 1% EcoSystem™ or 1% 3-Wire LED Driver	120-277VAC to 350mA, 13W, Class 2	1-1

500mA - EYE 200 (19W)

Part Number	Description	Input/Output	# of Fixtures - 19W
PPLT00527	Phase Dim (120V only)	120VAC to 500mA, 20W, Class 2, IP66	1-1
PPLT00308-P	0-10V Dimming to 0.1%	120-277VAC to 500mA, 30W, Class 2, DAMP	1-1
PPLT00262	Leading / Trailing Edge Dimming to 10% (120V only)	120-277VAC to 500mA, 32W, Class 2	1-1
PPLT00538-P	0-10V Dimming to 0.1% (4 channels)	120-277VAC to 500mA, 100W, Class 2	1-1 (1-4)

Suggested Lutron Compatible - EYE 200 (19W)

Part Number	Option	Lutron SKU	Dim Range	Description	Input/Output	# of Fixtures
PPLT00195	L3DAE / L3DA3W	L3DA	100%-1%	Hi-Lume™ 1% EcoSystem™ or 1% 3-Wire LED Driver	120-277VAC to 500mA, 19W, Class 2	1-1

For other power supply options consult factory.

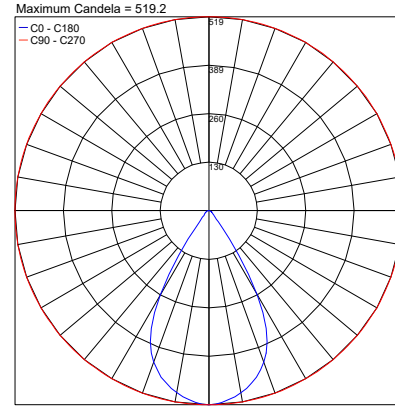
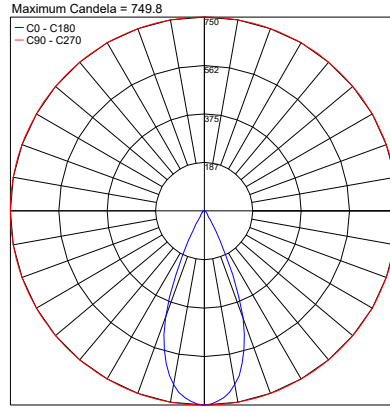
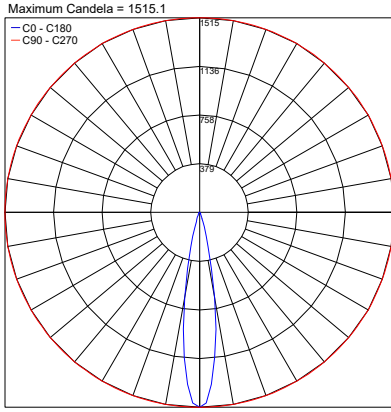
Job Name/Date:

Fixture Type Designation:

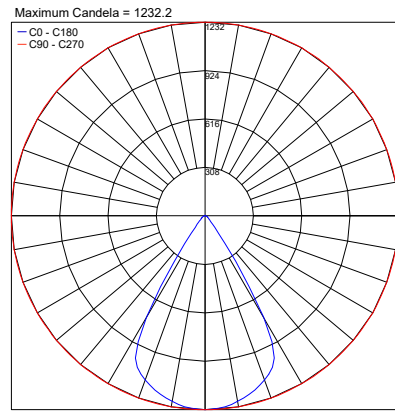
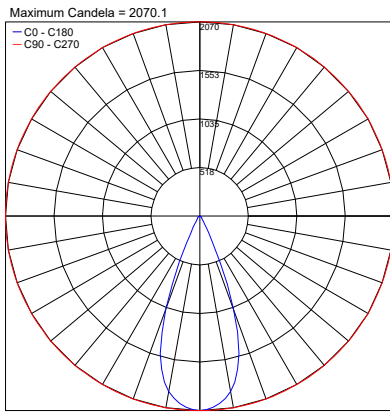
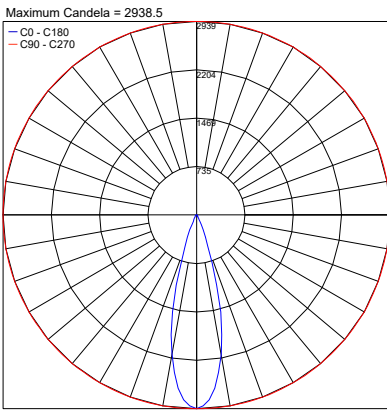
PHOTOMETRIC DATA

Note: All photometric data is 3000K

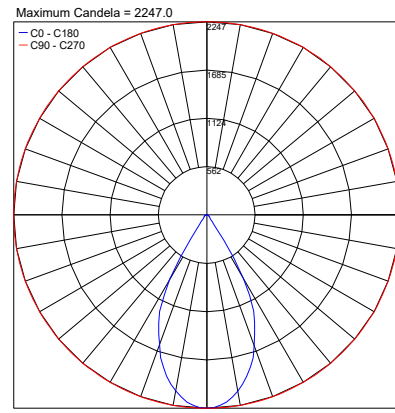
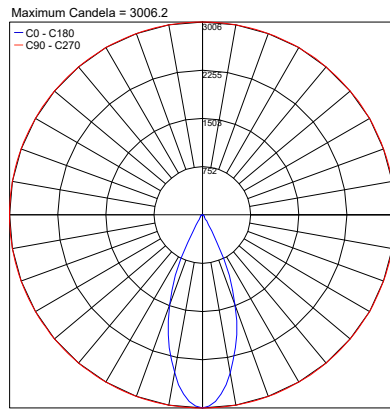
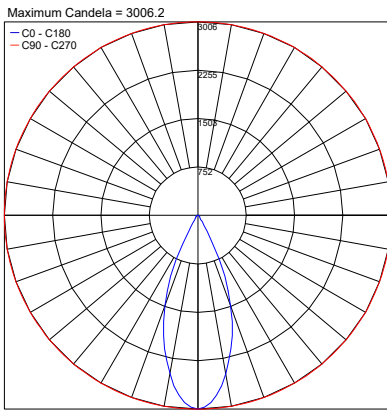
EYE 80



EYE 125



EYE 200



Job Name/Date:

Fixture Type Designation: